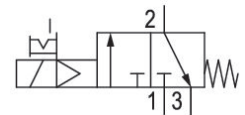
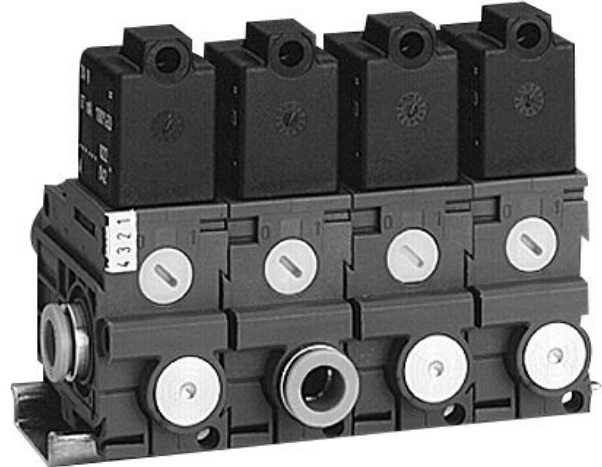


AVENTICS Series 490/579/589 Directional Control Valves

The AVENTICS Series 490/579/589 have a robust polymer housing that can be mounted individually or as a block. They cover a large range of voltages and feature fast connections for pneumatic tubing.



Technical data

Industry	Industrial
Activation	Electrically
Valve type	Poppet valve
Switching principle	3/2, with spring return
Valve function	NC
Connection type	Pipe connection
Manual override	with detent
Compressed air connection output	Ø 1/4"
Compressed air connection pilot input	5/32"
Min. working pressure	2 bar
Max. working pressure	8 bar
Reverse polarity protection	Protected against polarity reversal
Operational voltage	230 V AC
Operational voltage AC at 50 Hz	230 V
Voltage tolerance AC 50 Hz	-10% / +15%

3/2-directional valve, Series 579

2023-11-02

5792505380

Operational voltage AC at 60 Hz 230 V
Voltage tolerance AC 60 Hz -10% / +15%

Pilot Internal
Coil width 20 mm
Holding power AC 50 Hz 2.3 VA
Holding power AC 60 Hz 2 VA
Switch-on power AC 50 Hz 3.2 VA
Switch-on power AC 60 Hz 2.8 VA

Duty cycle 100 %
Typ. switch-on time 18 ms
Typ. switch-off time 16 ms

Blocking principle End valve
Can be assembled into blocks Can be assembled into blocks
Min. ambient temperature -15 °C
Max. ambient temperature 50 °C
Min. medium temperature -15 °C
Max. medium temperature 50 °C
Medium Compressed air
Min. oil content of compressed air 0 mg/m³
Max. oil content of compressed air 1 mg/m³
Max. particle size 5 µm

Weight 0.093 kg

Material

Housing material Polyamide
Seal material Acrylonitrile butadiene rubber
Polyurethane
Part No. 5792505380

Technical information

At an ambient temperature of [[40] °C] the max. working pressure is [[10] bar].

Versions with voltage of less than 50 V DC do not have a protective ground.

The min. control pressure must be adhered to, since otherwise faulty switching and valve failure may result!

The pressure dew point must be at least 15 °C less than ambient and medium temperature and may not exceed 3 °C.

The oil content of compressed air must remain constant during the life cycle.

Use only the approved oils from AVENTICS. Further information can be found in the “Technical information” document (available in <https://www.emerson.com/en-us/support>).

3/2-directional valve, Series 579

2023-11-02

5792505380

Dimensions in inches



1) Port 1 2) Port 2 3) Port 3, exhaust air must not be throttled 4) Core Ø for M5 5) Manual override 6) Pocket hole 6 mm deep for 3.5 self-tapping screw 7) Mounting space for name plate 8) Coil can be rotated at 180° intervals * Air conn. module (item IV) mounted onto stacking valve (item II) permits additional air supply from right hand side. End valve (item III) not required.
I = Inlet valve, II = Stacking valve, III = End valve