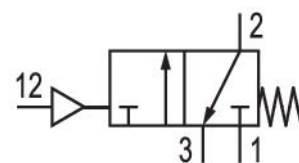
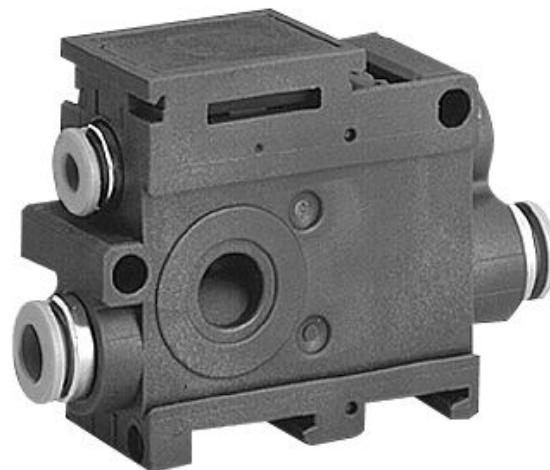


# 3/2-directional valve, Series 579

5794400000

Series 579, 589

- $Q_n = [[520 \dots 850] \text{ l/min}]$



## Technical data

Industry  
Industrial

Activation  
Pneumatically

Nominal flow  $Q_n$   
520 l/min

Switching principle  
3/2

Return type  
With spring return

Actuating control  
Single Air Pilot

Compressed air connection output  
 $\varnothing 6 \times 1$

Connection type  
Pipe connection

Working pressure min.  
0.5 bar

Working pressure max  
8 bar

Sealing principle  
Soft Seal

Valve type  
Poppet valve

Blocking principle  
Single valve

Control pressure min.  
2 bar

Control pressure max.  
10 bar

Min. ambient temperature  
 $-15 \text{ }^\circ\text{C}$

Max. ambient temperature  
 $60 \text{ }^\circ\text{C}$

Min. medium temperature  
 $-15 \text{ }^\circ\text{C}$

Max. medium temperature  
60 °C

Medium  
Compressed air

Max. particle size  
5 µm

Oil content of compressed air min.  
0 mg/m<sup>3</sup>

Oil content of compressed air max.  
1 mg/m<sup>3</sup>

version pneumatic port  
NC

Compressed air connection pilot exhaust  
Ø 4

Weight  
0.062 kg

Housing material  
Polyamide

Seal material  
Acrylonitrile butadiene rubber

Part No.  
5794400000

## Technical information

At an ambient temperature of [[40] °C] the max. working pressure is [[10] bar].

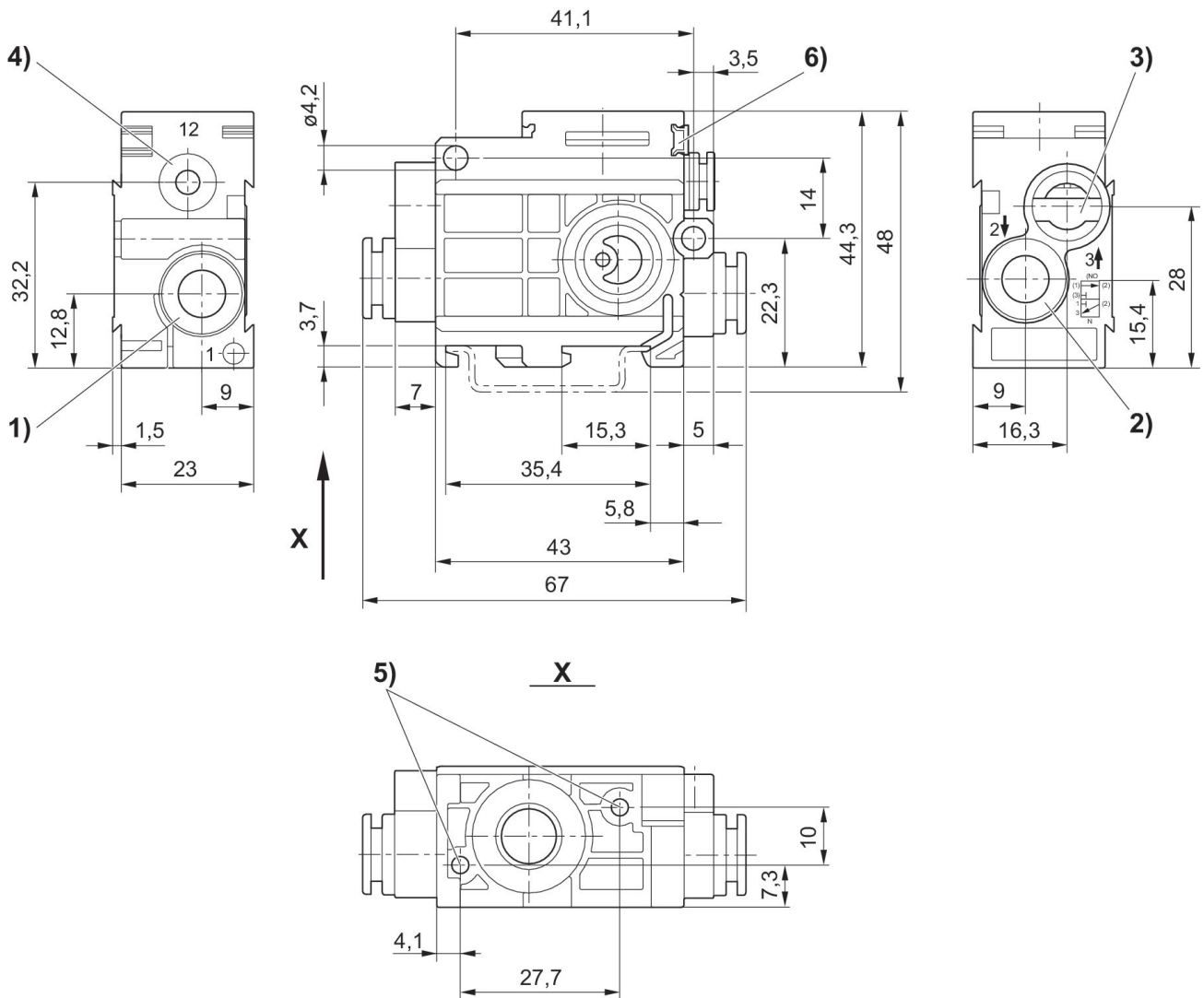
The min. control pressure must be adhered to, since otherwise faulty switching and valve failure may result!

The pressure dew point must be at least 15 °C under ambient and medium temperature and may not exceed 3 °C .

The oil content of compressed air must remain constant during the life cycle.

Use only the approved oils from AVENTICS. Further information can be found in the "Technical information" document (available in <https://www.emerson.com/en-us/support>).

## Dimensions



1) port 1 2) port 2 3) port 3 exhaust must not be throttled 4) port 12 5) pocket hole 6 mm deep for 3.5 self-tapping screw 6) mounting space for name plate