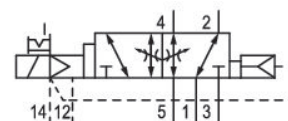
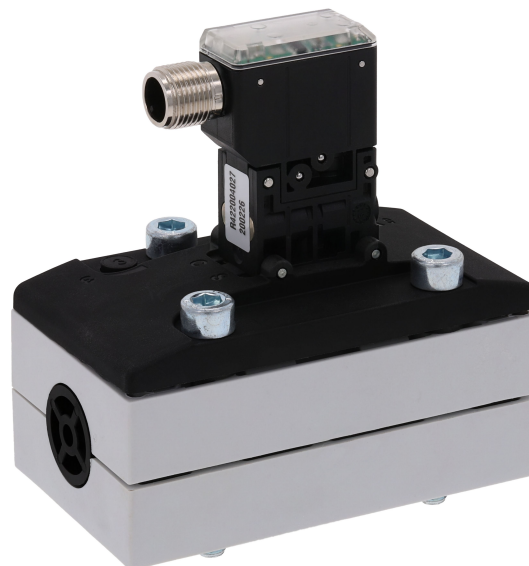


# 5/2-directional valve, Series 581, size 2

## 5812613710

ISO 5599-1, size 2, series 581

■  $Q_n = 2100 \dots 2700$  l/min



### Technical data

Industry  
Industrial

Activation  
Electrically

Nominal flow  $Q_n$   
2700 l/min

Switching principle  
5/2

Compressed air connection output  
Base plate ISO 5599-1

Working pressure min.  
-0.95 bar

Working pressure max  
10 bar

DC operating voltage  
24 V

Voltage tolerance DC  
-10% / +10%

Manual override  
with detent

Electrical connection type  
Plug

Electrical connection size  
M12

Electr. connection  
4-pin

Sealing principle  
Soft Seal

Pilot  
External

Standards  
ISO 5599-1

Pilot valve width  
22 mm

Valve type  
Spool valve

<b>Blocking principle</b> Single base plate principle	<b>Max. medium temperature</b> 50 °C
<b>Connection type</b> Plate connection	<b>Medium</b> Compressed air
<b>Return</b> with air spring return	<b>Max. particle size</b> 5 µm
<b>Compressed air connection input</b> Base plate ISO 5599-1	<b>Oil content of compressed air min.</b> 0 mg/m <sup>3</sup>
<b>Compressed air connection, exhaust</b> Base plate ISO 5599-1	<b>Oil content of compressed air max.</b> 5 mg/m <sup>3</sup>
<b>Compressed air connection pilot exhaust</b> M5	<b>Protection class with connection</b> IP65
<b>Power consumption DC</b> 0.35 W	<b>Duty cycle</b> 100 %
<b>Flow conductance C</b> 10.8 l/(s*bar)	<b>Typ. switch-on time</b> 15 ms
<b>Throttle</b> with throttle	<b>Typ. switch-off time</b> 35 ms
<b>Frame size</b> ISO 2	<b>mounting screws</b> with hexagon socket
<b>Control pressure min.</b> 3 bar	<b>Mounting screw tightening torque</b> 3.5 Nm
<b>Control pressure max.</b> 10 bar	<b>Weight</b> 0.28 kg
<b>Min. ambient temperature</b> 0 °C	<b>Housing material</b> Polyamide fiber-glass reinforced
<b>Max. ambient temperature</b> 50 °C	<b>Seal material</b> Acrylonitrile butadiene rubber
<b>Min. medium temperature</b> 0 °C	<b>Part No.</b> 5812613710

## Technical information

Switch-on power: 1 W for 40 ms

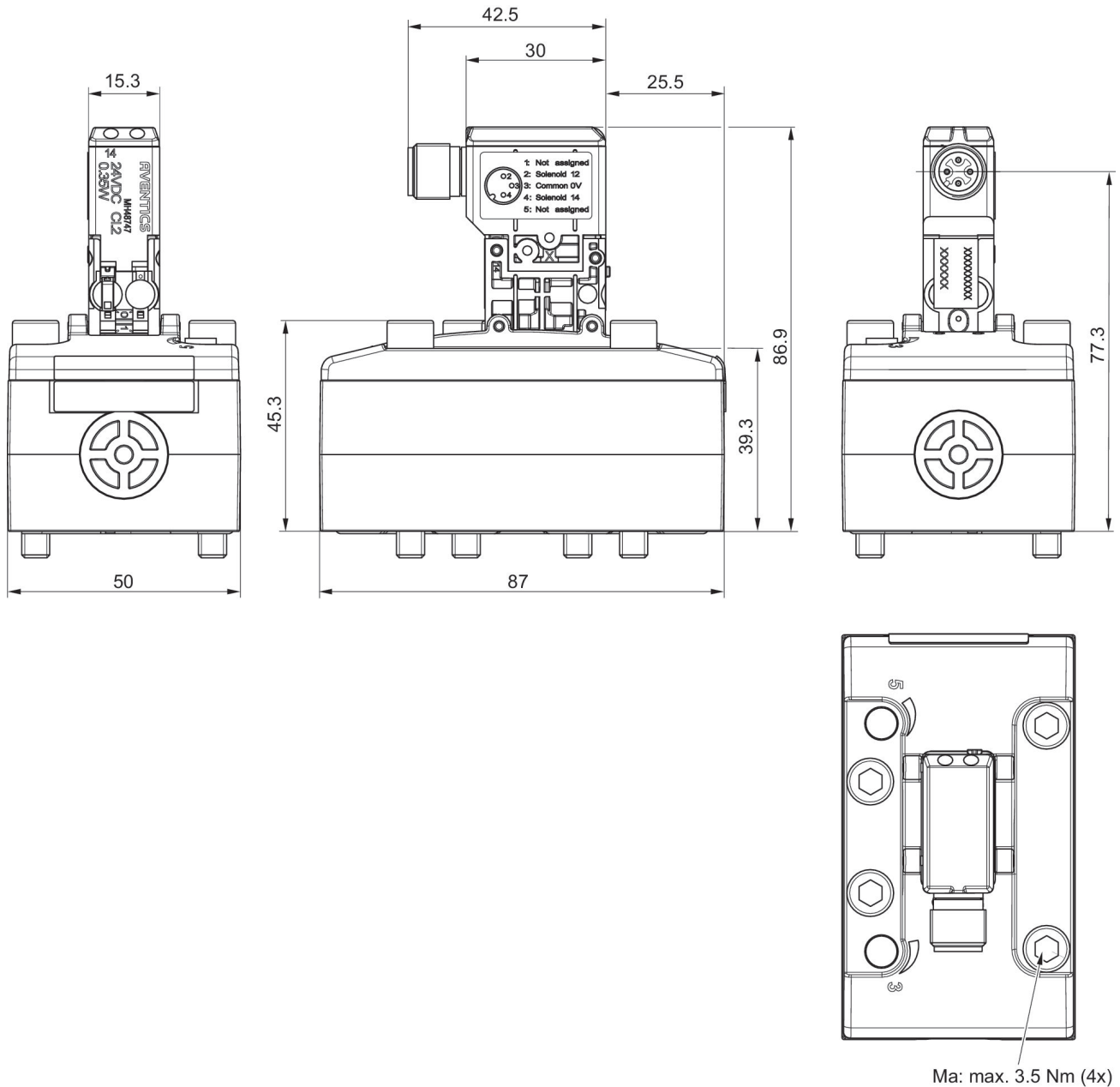
The min. control pressure must be adhered to, since otherwise faulty switching and valve failure may result!

The pressure dew point must be at least 15 °C under ambient and medium temperature and may not exceed 3 °C .

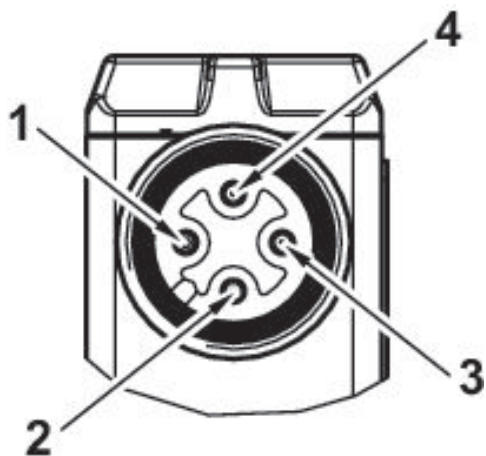
The oil content of compressed air must remain constant during the life cycle.

Use only the approved oils from AVENTICS. Further information can be found in the "Technical information" document (available in <https://www.emerson.com/en-us/support>).

## Dimensions



## Pin assignments



- 
- 1) not assigned
  - 2) Coil 12
  - 3) 0 V DC
  - 4) Coil 14