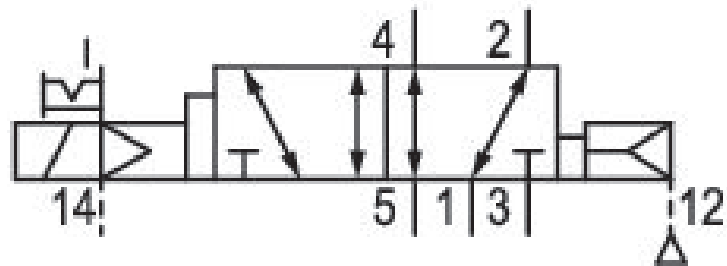


# 5/2-directional valve, Series 581, size 2

## 5812612300

ISO 5599-1, size 2, series 581

- $Q_n = 2100 \dots 2700$  l/min



### Technical data

Industry

Industrial

Activation

Electrically

Nominal flow  $Q_n$

2700 l/min

Switching principle

5/2

Compressed air connection output

Base plate ISO 5599-1

Working pressure min.

-0.95 bar

Working pressure max

10 bar

Operational voltage AC at 60 Hz

110 V

Voltage tolerance AC 60 Hz

-10% / +10%

Manual override

with detent

Electrical connection type

Plug

Electrical connection size

Form B, industry

Sealing principle

Soft Seal

Pilot

External

<b>Standards</b> ISO 5599-1	<b>Min. medium temperature</b> -15 °C
<b>Pilot valve width</b> 22 mm	<b>Max. medium temperature</b> 50 °C
<b>Valve type</b> Spool valve	<b>Medium</b> Compressed air
<b>Blocking principle</b> Single base plate principle	<b>Max. particle size</b> 50 µm
<b>Connection type</b> Plate connection	<b>Oil content of compressed air min.</b> 0 mg/m <sup>3</sup>
<b>Return</b> with air spring return	<b>Oil content of compressed air max.</b> 5 mg/m <sup>3</sup>
<b>Compressed air connection input</b> Base plate ISO 5599-1	<b>Protection class with connection</b> IP65
<b>Compressed air connection, exhaust</b> Base plate ISO 5599-1	<b>Duty cycle</b> 100 %
<b>Compressed air connection pilot exhaust</b> M5	<b>Typ. switch-on time</b> 12 ms
<b>Holding power AC 60 Hz</b> 8 VA	<b>Typ. switch-off time</b> 30 ms
<b>Switch-on power AC 60 Hz</b> 10 VA	<b>mounting screws</b> with hexagon socket
<b>Flow conductance C</b> 10.8 l/(s*bar)	<b>Mounting screw tightening torque</b> 3.5 Nm
<b>Frame size</b> ISO 2	<b>Weight</b> 0.34 kg
<b>Control pressure min.</b> 2.7 bar	<b>Housing material</b> Polyamide fiber-glass reinforced
<b>Control pressure max.</b> 10 bar	<b>Seal material</b> Acrylonitrile butadiene rubber
<b>Min. ambient temperature</b> -15 °C	<b>Part No.</b> 5812612300
<b>Max. ambient temperature</b> 50 °C	

## Technical information

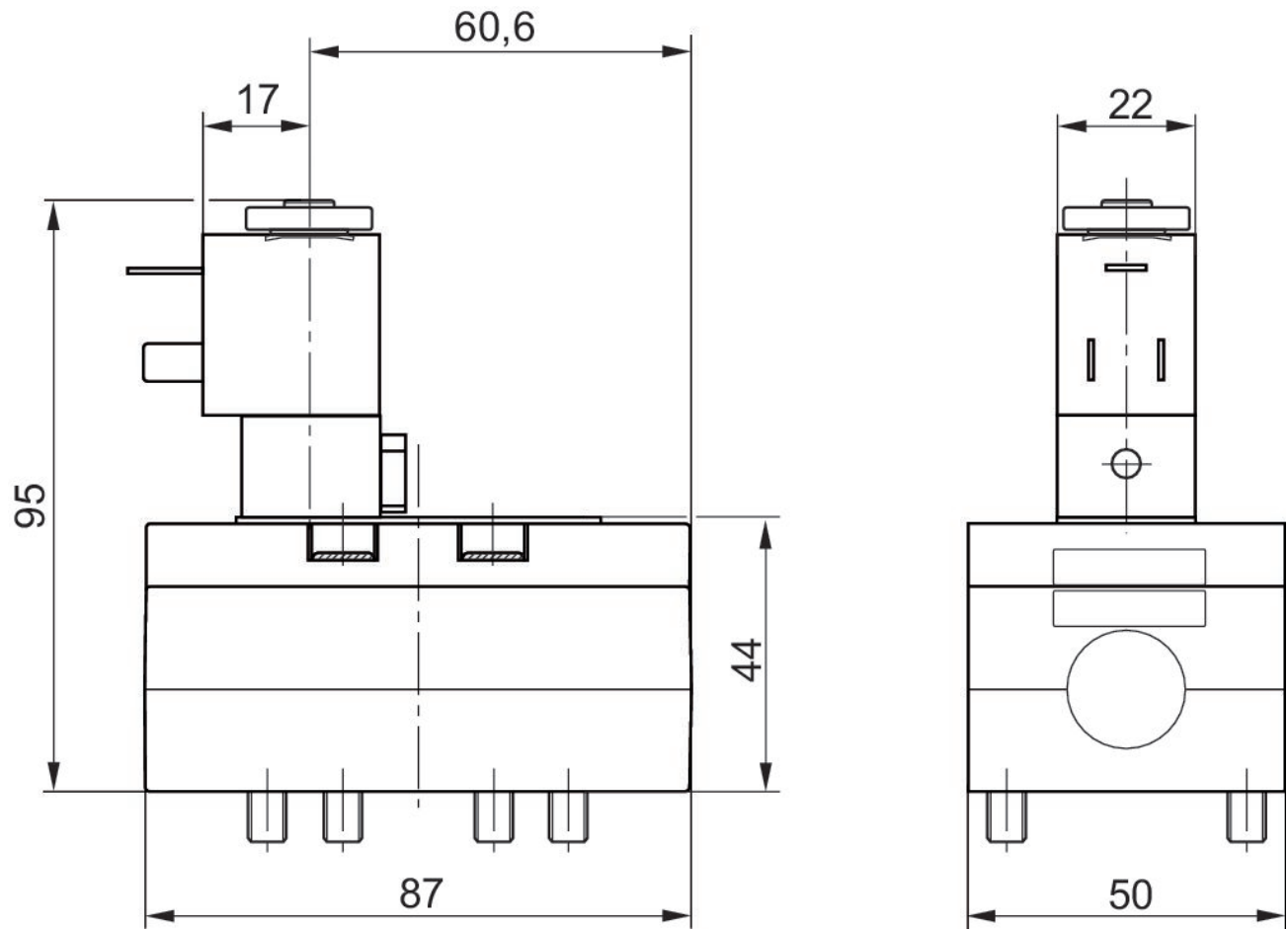
The min. control pressure must be adhered to, since otherwise faulty switching and valve failure may result!

The pressure dew point must be at least 15 °C under ambient and medium temperature and may not exceed 3 °C .

The oil content of compressed air must remain constant during the life cycle.

Use only the approved oils from AVENTICS. Further information can be found in the “Technical information” document (available in <https://www.emerson.com/en-us/support>).

## Dimensions



The pilot valves can be loosened and turned through 180°.