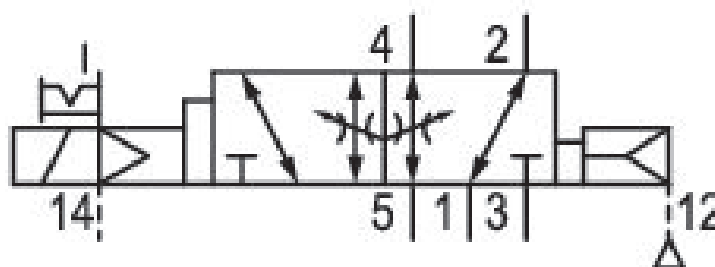


5/2-directional valve, Series 581, size 2

5812613300

ISO 5599-1, size 2, series 581

- $Q_n = 2100 \dots 2700 \text{ l/min}$



Technical data

Industry
Industrial

Activation
Electrically

Nominal flow Q_n
2700 l/min

Switching principle
5/2

Compressed air connection output
Base plate ISO 5599-1

Working pressure min.
-0.95 bar

Working pressure max
10 bar

Operational voltage AC at 60 Hz
110 V

Voltage tolerance AC 60 Hz
-10% / +10%

Manual override
with detent

Electrical connection type
Plug

Electrical connection size
Form B, industry

Sealing principle
Soft Seal

Pilot
External

Standards ISO 5599-1	Max. ambient temperature 50 °C
Pilot valve width 22 mm	Min. medium temperature -15 °C
Valve type Spool valve	Max. medium temperature 50 °C
Blocking principle Single base plate principle	Medium Compressed air
Connection type Plate connection	Max. particle size 50 µm
Return with air spring return	Oil content of compressed air min. 0 mg/m ³
Compressed air connection input Base plate ISO 5599-1	Oil content of compressed air max. 5 mg/m ³
Compressed air connection, exhaust Base plate ISO 5599-1	Protection class with connection IP65
Compressed air connection pilot exhaust M5	Duty cycle 100 %
Holding power AC 60 Hz 8 VA	Typ. switch-on time 12 ms
Switch-on power AC 60 Hz 10 VA	Typ. switch-off time 30 ms
Flow conductance C 10.8 l/(s*bar)	mounting screws with hexagon socket
Throttle with throttle	Mounting screw tightening torque 3.5 Nm
Frame size ISO 2	Weight 0.34 kg
Control pressure min. 2.7 bar	Housing material Polyamide fiber-glass reinforced
Control pressure max. 10 bar	Seal material Acrylonitrile butadiene rubber
Min. ambient temperature -15 °C	Part No. 5812613300

Technical information

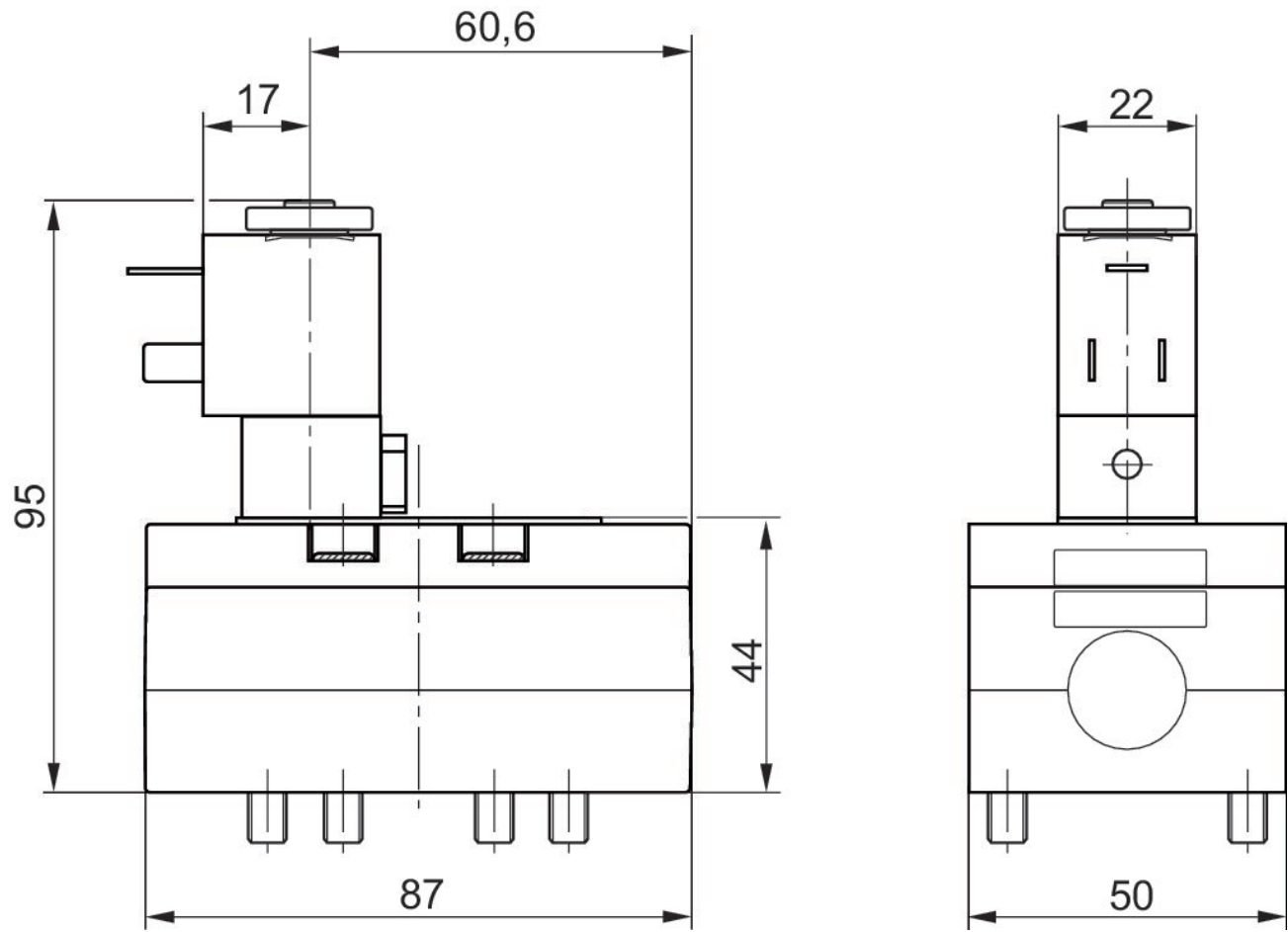
The min. control pressure must be adhered to, since otherwise faulty switching and valve failure may result!

The pressure dew point must be at least 15 °C under ambient and medium temperature and may not exceed 3 °C .

The oil content of compressed air must remain constant during the life cycle.

Use only the approved oils from AVENTICS. Further information can be found in the “Technical information” document (available in <https://www.emerson.com/en-us/support>).

Dimensions



The pilot valves can be loosened and turned through 180°.