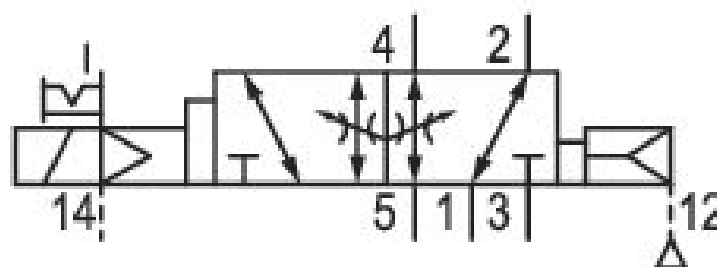


5/2-directional valve, Series 581, size 2

5812613400

ISO 5599-1, size 2, series 581

- $Q_n = 2100 \dots 2700 \text{ l/min}$



Technical data

Industry
Industrial

Activation
Electrically

Nominal flow Q_n
2700 l/min

Switching principle
5/2

Compressed air connection output
Base plate ISO 5599-1

Working pressure min.
-0.95 bar

Working pressure max
10 bar

Operational voltage AC at 50 Hz
230 V

Voltage tolerance AC 50 Hz
-10% / +10%

Manual override
with detent

Electrical connection type
Plug

Electrical connection size
Form B, industry

Sealing principle
Soft Seal

Pilot
External

| | |
|--|--|
| Standards ISO 5599-1 | Max. ambient temperature 50 °C |
| Pilot valve width 22 mm | Min. medium temperature -15 °C |
| Valve type Spool valve | Max. medium temperature 50 °C |
| Blocking principle Single base plate principle | Medium Compressed air |
| Connection type Plate connection | Max. particle size 50 µm |
| Return with air spring return | Oil content of compressed air min. 0 mg/m ³ |
| Compressed air connection input Base plate ISO 5599-1 | Oil content of compressed air max. 5 mg/m ³ |
| Compressed air connection, exhaust Base plate ISO 5599-1 | Protection class with connection IP65 |
| Compressed air connection pilot exhaust M5 | Duty cycle 100 % |
| Holding power AC 50 Hz 8 VA | Typ. switch-on time 12 ms |
| Switch-on power AC 50 Hz 10 VA | Typ. switch-off time 30 ms |
| Flow conductance C 10.8 l/(s*bar) | mounting screws with hexagon socket |
| Throttle with throttle | Mounting screw tightening torque 3.5 Nm |
| Frame size ISO 2 | Weight 0.34 kg |
| Control pressure min. 2.7 bar | Housing material Polyamide fiber-glass reinforced |
| Control pressure max. 10 bar | Seal material Acrylonitrile butadiene rubber |
| Min. ambient temperature -15 °C | Part No. 5812613400 |

Technical information

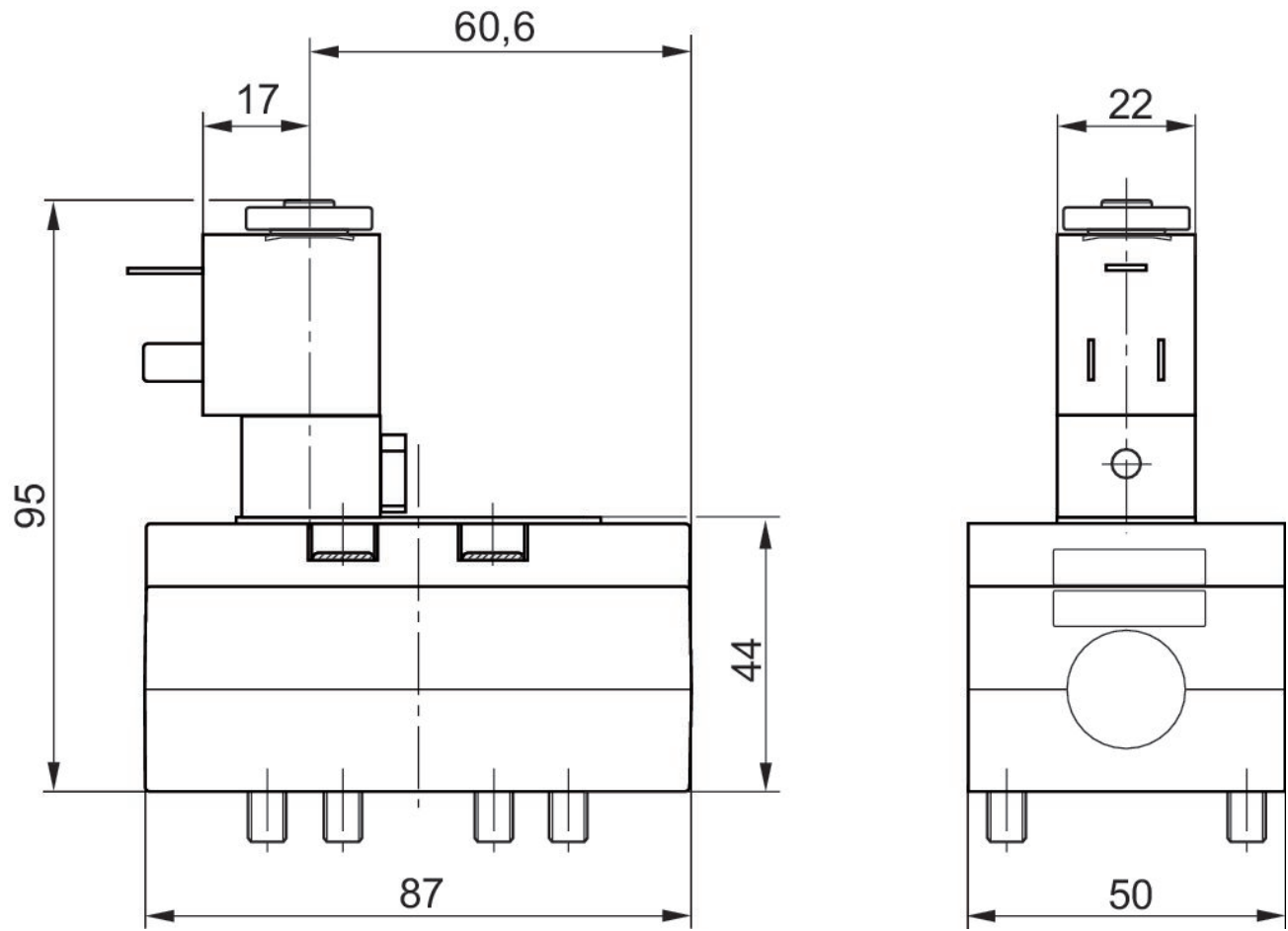
The min. control pressure must be adhered to, since otherwise faulty switching and valve failure may result!

The pressure dew point must be at least 15 °C under ambient and medium temperature and may not exceed 3 °C .

The oil content of compressed air must remain constant during the life cycle.

Use only the approved oils from AVENTICS. Further information can be found in the “Technical information” document (available in <https://www.emerson.com/en-us/support>).

Dimensions



The pilot valves can be loosened and turned through 180°.