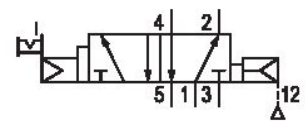


# 5/2-directional valve, Series 581, size 2

## 5812610000

ISO 5599-1, size 2, series 581

■  $Q_n = 2100 \dots 2700$  l/min



### Technical data

Industry  
Industrial

Activation  
Electrically

Nominal flow  $Q_n$   
2700 l/min

Switching principle  
5/2

Compressed air connection output  
Base plate ISO 5599-1

Working pressure min.  
2.7 bar

Working pressure max.  
10 bar

Manual override  
with detent

Electrical connection type  
Plug

Electrical connection size  
Form B, industry

Sealing principle  
Soft Seal

Pilot  
Internal

Standards  
ISO 5599-1

Pilot valve width  
22 mm

Valve type  
Spool valve

Blocking principle  
Single base plate principle

Connection type  
Plate connection

Return  
with air spring return

Compressed air connection input Base plate ISO 5599-1	Max. particle size 50 µm
Compressed air connection, exhaust Base plate ISO 5599-1	Oil content of compressed air min. 0 mg/m <sup>3</sup>
Compressed air connection pilot exhaust M5	Oil content of compressed air max. 5 mg/m <sup>3</sup>
Flow conductance C 10.8 l/(s*bar)	Protection class with connection IP65
basic valve with electrical connector Basic valve without coil	Duty cycle 100 %
Frame size ISO 2	Typ. switch-on time 12 ms
Control pressure min. 2.7 bar	Typ. switch-off time 41 ms
Control pressure max. 10 bar	mounting screws with hexagon socket
Min. ambient temperature -15 °C	Mounting screw tightening torque 3.5 Nm
Max. ambient temperature 50 °C	Weight 0.34 kg
Min. medium temperature -15 °C	Housing material Polyamide fiber-glass reinforced
Max. medium temperature 50 °C	Seal material Acrylonitrile butadiene rubber
Medium Compressed air	Part No. 5812610000

## Technical information

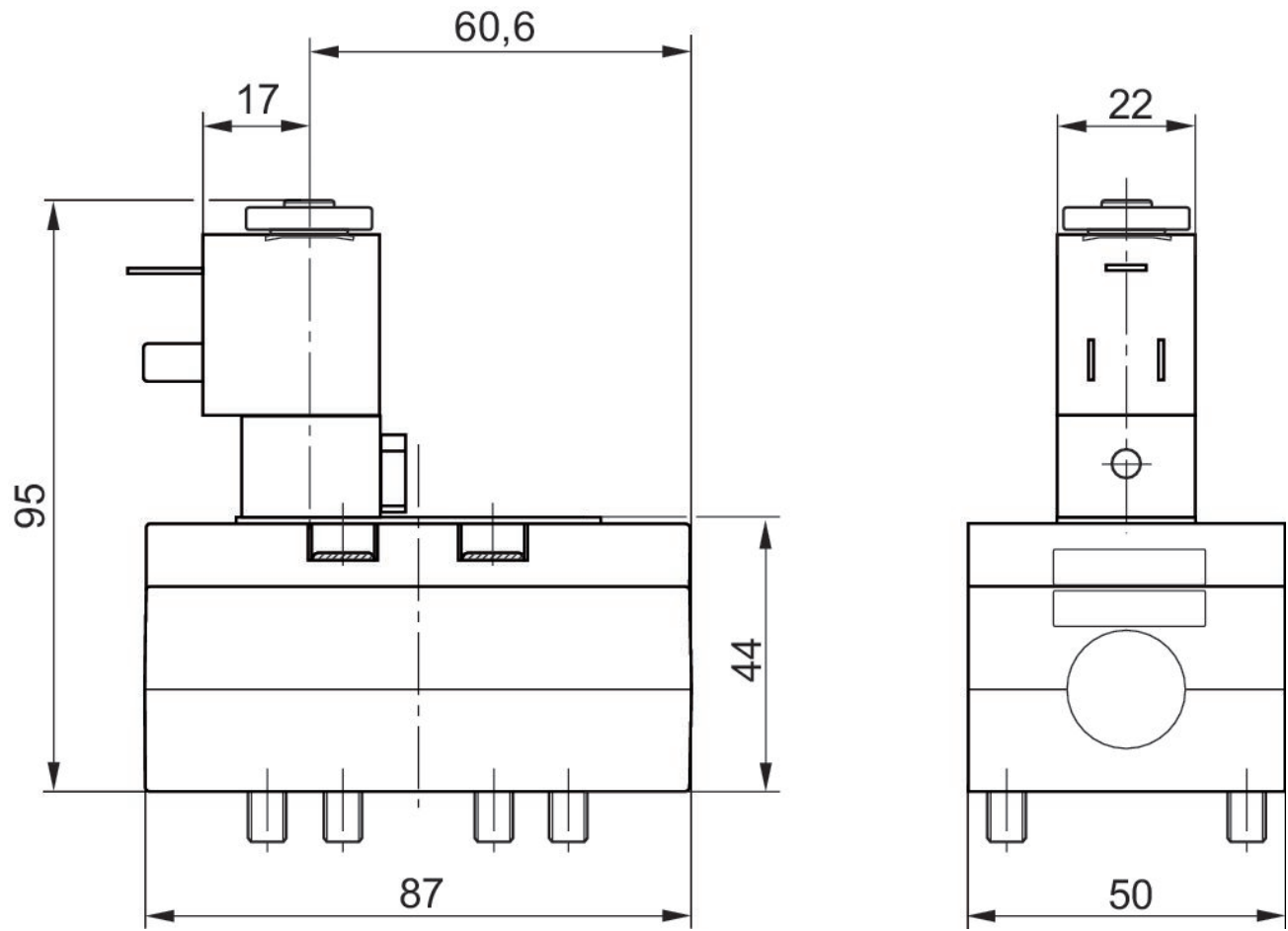
The min. control pressure must be adhered to, since otherwise faulty switching and valve failure may result!

The pressure dew point must be at least 15 °C under ambient and medium temperature and may not exceed 3 °C .

The oil content of compressed air must remain constant during the life cycle.

Use only the approved oils from AVENTICS. Further information can be found in the “Technical information” document (available in <https://www.emerson.com/en-us/support>).

## Dimensions



The pilot valves can be loosened and turned through 180°.