

5/2-directional valve, Series 581, size 3

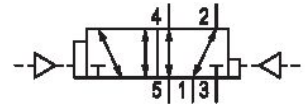
581, size 3

5813640000

2023-12-18

ISO 5599-1, series 581, size 3

Qn = 1400 l/min



Technical data

| | |
|------------------------------------|------------------------------|
| Industry | Industrial |
| Activation | Pneumatically |
| Switching principle | 5/2, with air spring return |
| Connection type | Plate connection |
| Nominal flow Qn | 4800 l/min |
| Compressed air connection output | Base plate ISO 5599-1 |
| Min. working pressure | -0.95 bar |
| Max. working pressure | 16 bar |
| Sealing principle | Soft seal |
| Standards | ISO 5599-1 |
| Valve type | Spool valve |
| Version | ISO 3 |
| Can be assembled into blocks | Can be assembled into blocks |
| Blocking principle | Single base plate principle |
| Min. control pressure | 1.5 bar |
| Max. control pressure | 16 bar |
| Min. ambient temperature | -20 °C |
| Max. ambient temperature | 70 °C |
| Min. medium temperature | -20 °C |
| Max. medium temperature | 70 °C |
| Medium | Compressed air |
| Max. particle size | 50 µm |
| Min. oil content of compressed air | 0 mg/m ³ |
| Max. oil content of compressed air | 5 mg/m ³ |

5/2-directional valve, Series 581, size 3

581, size 3

5813640000

2023-12-18

| | |
|----------------------------------|--------------------------------|
| Compressed air connection input | Base plate ISO 5599-1 |
| Flow conductance C | 18.9 l/(s*bar) |
| Mounting screw | with hexagon socket |
| Mounting screw tightening torque | 10 Nm |
| Weight | 0.85 kg |
| Housing material | Aluminum |
| Seal material | Acrylonitrile butadiene rubber |
| Part No. | 5813640000 |

Technical information

The min. control pressure must be adhered to, since otherwise faulty switching and valve failure may result!

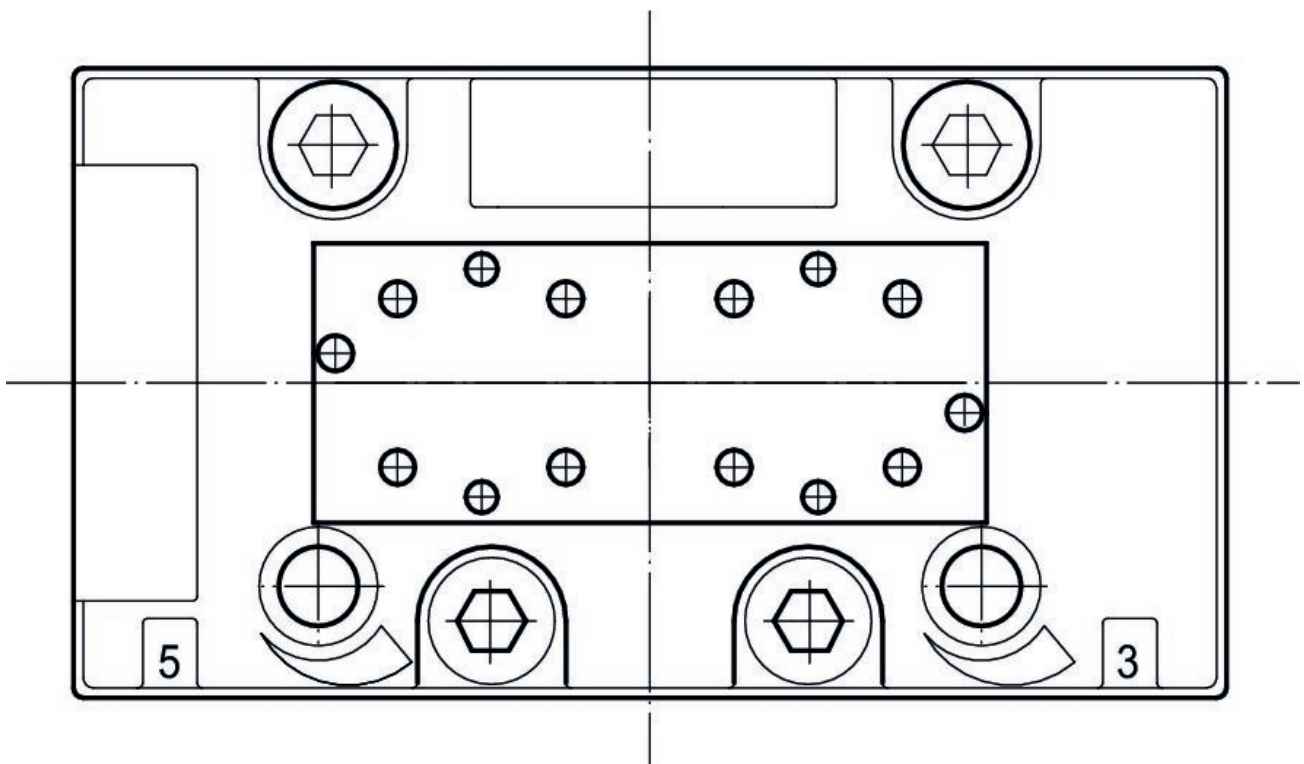
The pressure dew point must be at least 15 °C less than ambient and medium temperature and may not exceed 3 °C.

The oil content of compressed air must remain constant during the life cycle.

Use only the approved oils from AVENTICS. Further information can be found in the “Technical information” document (available in <https://www.emerson.com/en-us/support>).

Fig. 1

Hole pattern for logic modules



5/2-directional valve, Series 581, size 3

581, size 3

5813640000

2023-12-18

Dimensions

