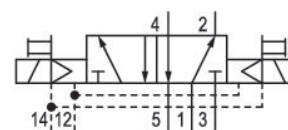


# 5/2-directional valve, Series 581, size 3

## 5813222720

ISO 5599-1, size 3, series 581

■  $Q_n = 4100 \dots 4800 \text{ l/min}$



### Technical data

Industry  
Industrial

Activation  
Electrically

Nominal flow  $Q_n$   
4800 l/min

Switching principle  
5/2

Compressed air connection output  
Base plate ISO 5599-1

Working pressure min.  
-0.95 bar

Working pressure max  
10 bar

DC operating voltage  
24 V

Voltage tolerance DC  
-10% / +10%

Manual override  
without detent

Electrical connection type  
Plug

Electrical connection size  
M12

Electr. connection  
4-pin

Actuating control  
Double Solenoid

Sealing principle  
Soft Seal

Pilot  
External

Standards  
ISO 5599-1

Pilot valve width  
16 mm

Valve type Spool valve	Max. particle size 5 µm
Blocking principle Single base plate principle	Oil content of compressed air min. 0 mg/m <sup>3</sup>
Connection type Plate connection	Oil content of compressed air max. 5 mg/m <sup>3</sup>
Compressed air connection input Base plate ISO 5599-1	Protection class with connection IP65
Compressed air connection, exhaust Base plate ISO 5599-1	Protective circuit Z-diode
Compressed air connection pilot exhaust Base plate ISO 5599-1	LED status display Yellow
Power consumption DC 0.35 W	Duty cycle 100 %
Flow conductance C 18.9 l/(s*bar)	Typ. switch-on time 16 ms
Frame size ISO 3	Typ. switch-off time 16 ms
Control pressure min. 3 bar	mounting screws with hexagon socket
Control pressure max. 10 bar	Mounting screw tightening torque 10 Nm
Min. ambient temperature 0 °C	Weight 0.9 kg
Max. ambient temperature 50 °C	Housing material Aluminum
Min. medium temperature 0 °C	Seal material Acrylonitrile butadiene rubber
Max. medium temperature 50 °C	Part No. 5813222720
Medium Compressed air	

## Technical information

Switch-on power: 1 W for 40 ms

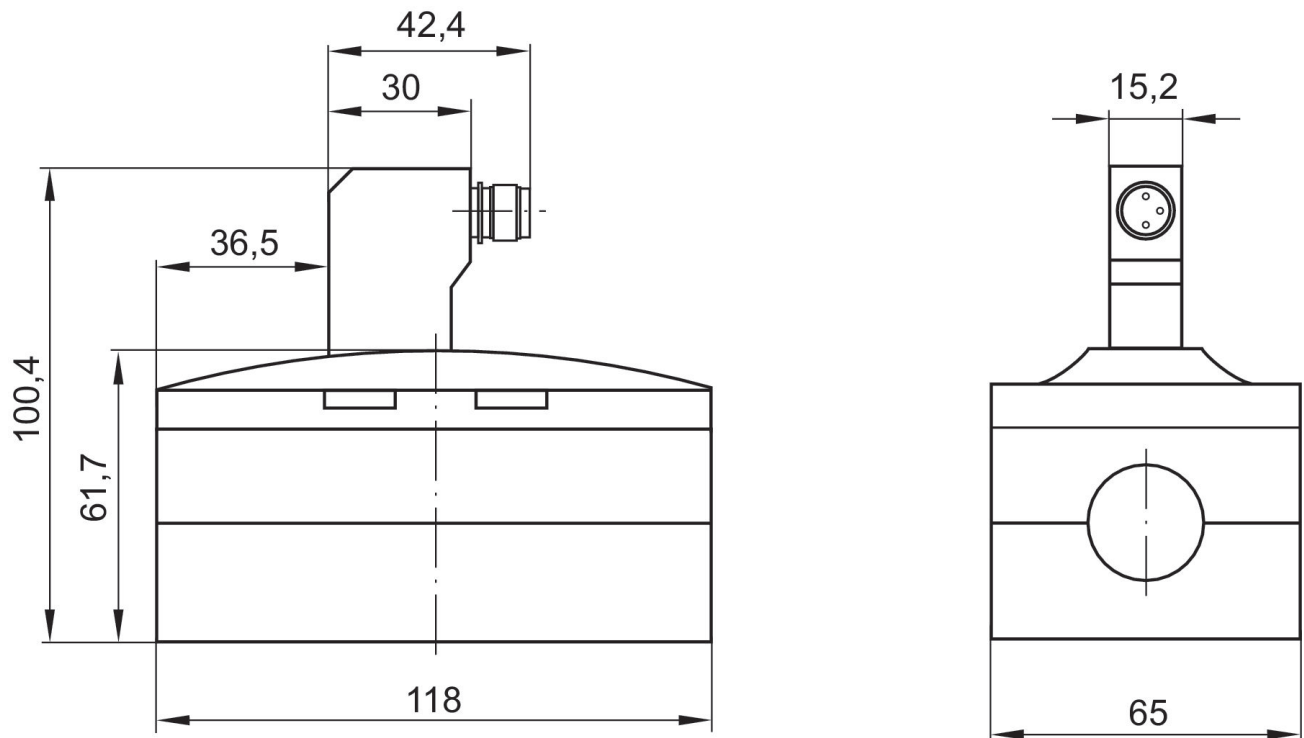
The min. control pressure must be adhered to, since otherwise faulty switching and valve failure may result!

The pressure dew point must be at least 15 °C under ambient and medium temperature and may not exceed 3 °C .

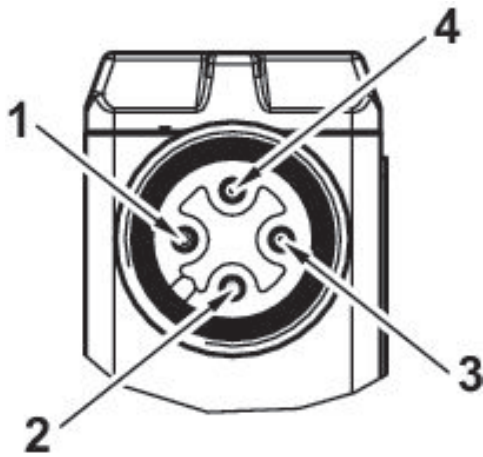
The oil content of compressed air must remain constant during the life cycle.

Use only the approved oils from AVENTICS. Further information can be found in the "Technical information" document (available in <https://www.emerson.com/en-us/support>).

## Dimensions



## Pin assignments



- 1) not assigned
- 2) Coil 12
- 3) 0 V DC
- 4) Coil 14