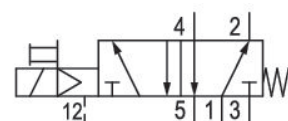


5/2-directional valve, Series 581, size 3

5813110720

ISO 5599-1, size 3, series 581

■ $Q_n = 4100 \dots 4800$ l/min



Technical data

Industry
Industrial

Activation
Electrically

Nominal flow Q_n
4800 l/min

Switching principle
5/2

Compressed air connection output
Base plate ISO 5599-1

Working pressure min.
-0.95 bar

Working pressure max.
10 bar

DC operating voltage
24 V

Voltage tolerance DC
-10% / +10%

Manual override
with detent

Electrical connection type
Plug

Electrical connection size
M12

Electr. connection
4-pin

Actuating control
Single Solenoid

Sealing principle
Soft Seal

Pilot
Internal

Standards
ISO 5599-1

Pilot valve width
16 mm

Valve type	Medium
Spool valve	Compressed air
Blocking principle	Max. particle size
Single base plate principle	5 µm
Connection type	Oil content of compressed air min.
Plate connection	0 mg/m ³
Return	Oil content of compressed air max.
With spring return	5 mg/m ³
Compressed air connection input	Protection class with connection
Base plate ISO 5599-1	IP65
Compressed air connection, exhaust	Protective circuit
Base plate ISO 5599-1	Z-diode
Compressed air connection pilot exhaust	LED status display
Base plate ISO 5599-1	Yellow
Power consumption DC	Duty cycle
0.35 W	100 %
Flow conductance C	Typ. switch-on time
18.9 l/(s*bar)	22 ms
Frame size	Typ. switch-off time
ISO 3	54 ms
Control pressure min.	mounting screws
3 bar	with hexagon socket
Control pressure max.	Mounting screw tightening torque
10 bar	10 Nm
Min. ambient temperature	Weight
0 °C	0.9 kg
Max. ambient temperature	Housing material
50 °C	Aluminum
Min. medium temperature	Seal material
0 °C	Acrylonitrile butadiene rubber
Max. medium temperature	Part No.
50 °C	5813110720

Technical information

Switch-on power: 1 W for 40 ms

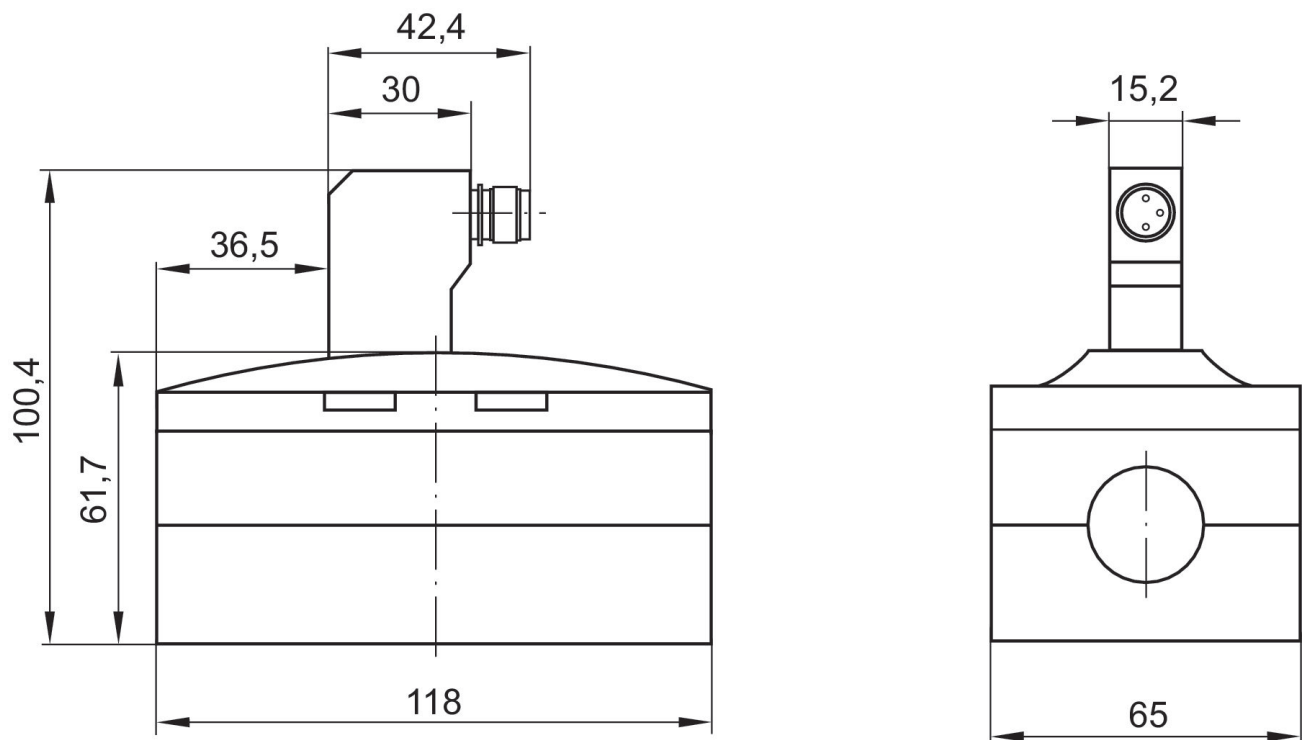
The min. control pressure must be adhered to, since otherwise faulty switching and valve failure may result!

The pressure dew point must be at least 15 °C under ambient and medium temperature and may not exceed 3 °C .

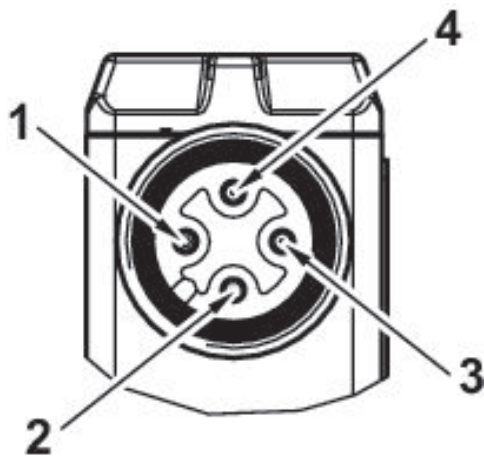
The oil content of compressed air must remain constant during the life cycle.

Use only the approved oils from AVENTICS. Further information can be found in the “Technical information” document (available in <https://www.emerson.com/en-us/support>).

Dimensions



Pin assignments



- 1) not assigned
- 2) Coil 12
- 3) 0 V DC
- 4) Coil 14