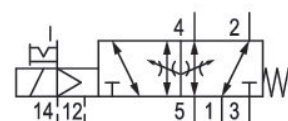


# 5/2-directional valve, Series 581, size 4

## 5814113710

ISO 5599-1, size 4, series 581

■  $Q_n = 5000 \dots 6000 \text{ l/min}$



### Technical data

**Industry**  
Industrial

**Activation**  
Electrically

**Nominal flow  $Q_n$**   
6000 l/min

**Switching principle**  
5/2

**Compressed air connection output**  
Base plate ISO 5599-1

**Working pressure min.**  
-0.95 bar

**Working pressure max**  
10 bar

**DC operating voltage**  
24 V

**Voltage tolerance DC**  
-10% / +10%

**Manual override**  
with detent

**Electrical connection type**  
Plug

**Electrical connection size**  
M12

**Electr. connection**  
4-pin

**Actuating control**  
Single Solenoid

**Sealing principle**  
Soft Seal

**Pilot**  
External

**Standards**  
ISO 5599-1

**Pilot valve width**  
22 mm

Valve type Spool valve	Max. medium temperature 50 °C
Blocking principle Single base plate principle	Medium Compressed air
Connection type Plate connection	Max. particle size 5 µm
Return With spring return	Oil content of compressed air min. 0 mg/m <sup>3</sup>
Compressed air connection input Base plate ISO 5599-1	Oil content of compressed air max. 5 mg/m <sup>3</sup>
Compressed air connection, exhaust Base plate ISO 5599-1	Protection class with connection IP65
Compressed air connection pilot exhaust M5	Duty cycle 100 %
Power consumption DC 0.35 W	Typ. switch-on time 20 ms
Flow conductance C 24.5 l/(s*bar)	Typ. switch-off time 80 ms
Throttle with throttle	mounting screws with hexagon socket
Frame size ISO 4	Mounting screw tightening torque 10 Nm
Control pressure min. 3 bar	Weight 1.4 kg
Control pressure max. 10 bar	Housing material Aluminum
Min. ambient temperature 0 °C	Seal material Acrylonitrile butadiene rubber
Max. ambient temperature 50 °C	Part No. 5814113710
Min. medium temperature 0 °C	

## Technical information

Switch-on power: 1 W for 40 ms

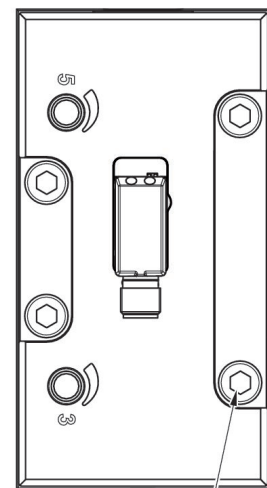
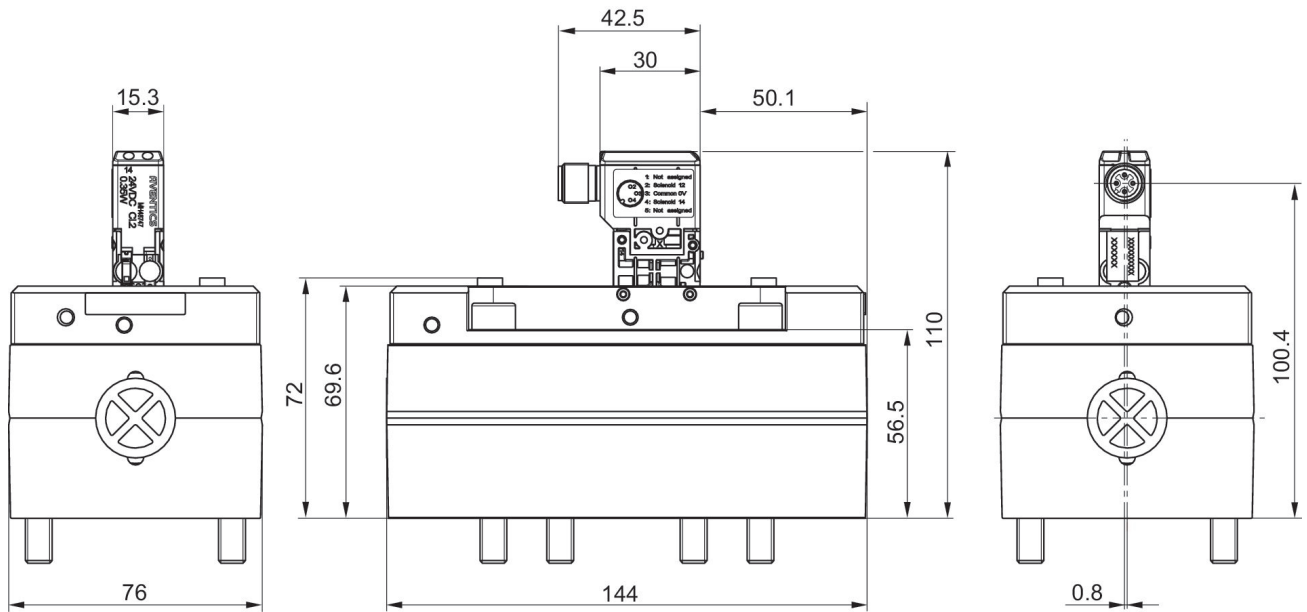
The min. control pressure must be adhered to, since otherwise faulty switching and valve failure may result!

The pressure dew point must be at least 15 °C under ambient and medium temperature and may not exceed 3 °C .

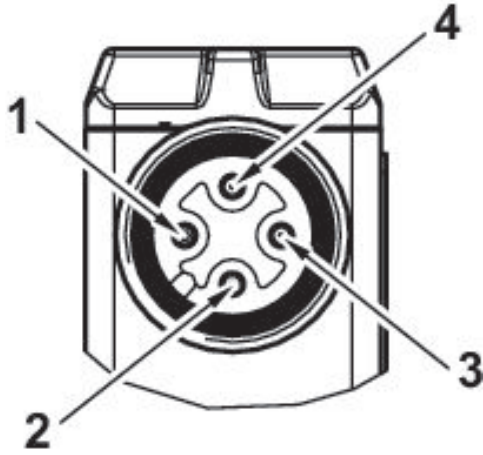
The oil content of compressed air must remain constant during the life cycle.

Use only the approved oils from AVENTICS. Further information can be found in the "Technical information" document (available in <https://www.emerson.com/en-us/support>).

## Dimensions



## Pin assignments



- 
- 1) not assigned
  - 2) Coil 12
  - 3) 0 V DC
  - 4) Coil 14