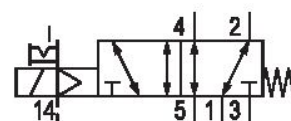


5/2-directional valve, Series 581, size 2

5812112600

ISO 5599-1, size 2, series 581

■ $Q_n = 2100 \dots 2700$ l/min



Technical data

Industry
Industrial

Activation
Electrically

Nominal flow Q_n
2700 l/min

Switching principle
5/2

Compressed air connection output
Base plate ISO 5599-1

Working pressure min.
-0.95 bar

Working pressure max.
10 bar

DC operating voltage
48 V

Voltage tolerance DC
-10% / +10%

Manual override
with detent

Electrical connection type
Plug

Electrical connection size
Form B, industry

Actuating control
Single Solenoid

Sealing principle
Soft Seal

Pilot
External

Standards
ISO 5599-1

Pilot valve width
22 mm

Valve type
Spool valve

| | |
|--|--|
| Blocking principle Single base plate principle | Medium Compressed air |
| Connection type Plate connection | Max. particle size 50 µm |
| Return With spring return | Oil content of compressed air min. 0 mg/m ³ |
| Compressed air connection input Base plate ISO 5599-1 | Oil content of compressed air max. 5 mg/m ³ |
| Compressed air connection, exhaust Base plate ISO 5599-1 | Protection class with connection IP65 |
| Compressed air connection pilot exhaust M5 | Duty cycle 100 % |
| Power consumption DC 5 W | Typ. switch-on time 15 ms |
| Flow conductance C 10.8 l/(s*bar) | Typ. switch-off time 46 ms |
| Frame size ISO 2 | mounting screws with hexagon socket |
| Control pressure min. 3 bar | Mounting screw tightening torque 3.5 Nm |
| Control pressure max. 10 bar | Weight 0.34 kg |
| Min. ambient temperature -15 °C | Housing material Polyamide fiber-glass reinforced |
| Max. ambient temperature 50 °C | Seal material Acrylonitrile butadiene rubber |
| Min. medium temperature -15 °C | Part No. 5812112600 |
| Max. medium temperature 50 °C | |

Technical information

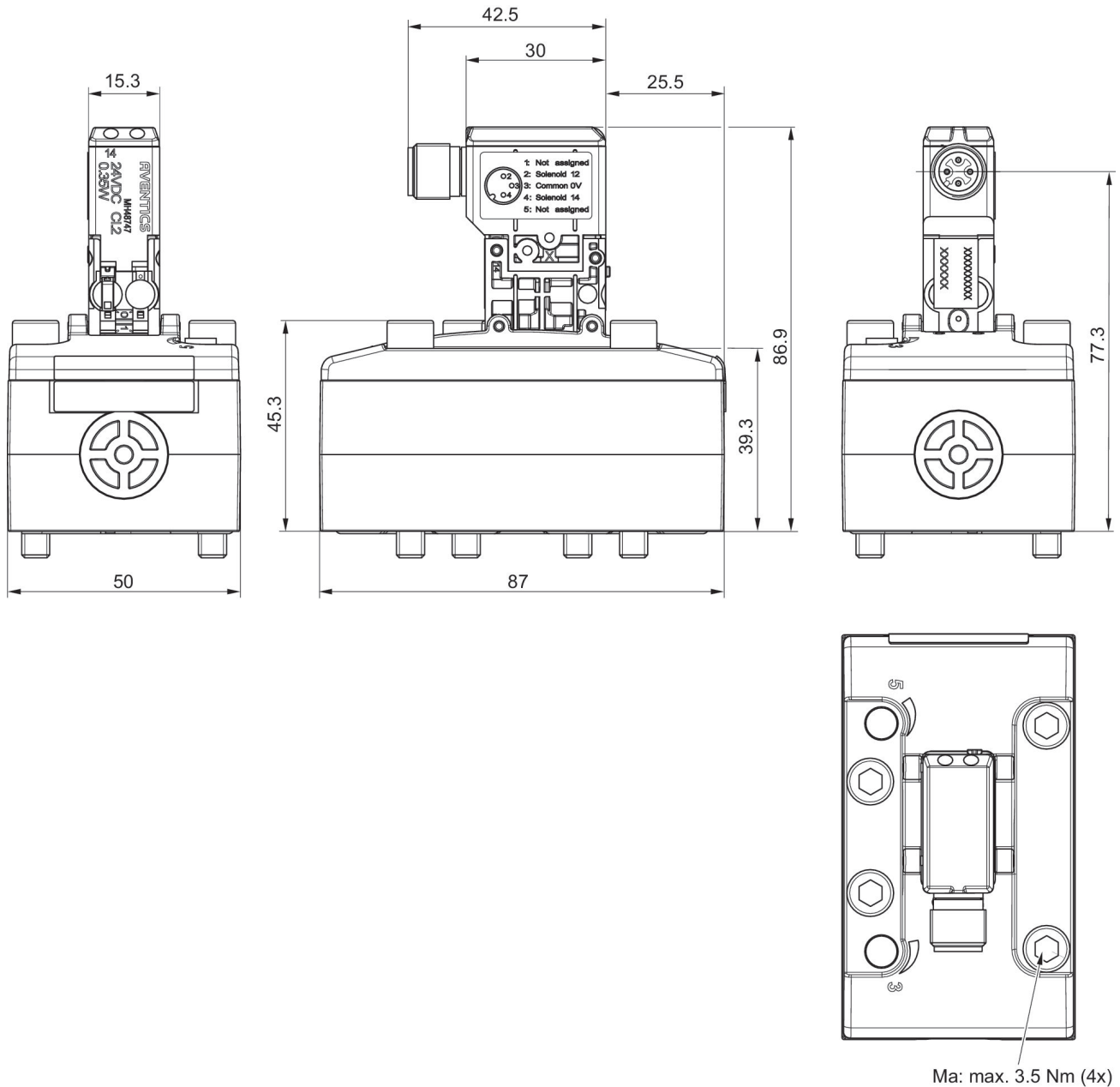
The min. control pressure must be adhered to, since otherwise faulty switching and valve failure may result!

The pressure dew point must be at least 15 °C under ambient and medium temperature and may not exceed 3 °C .

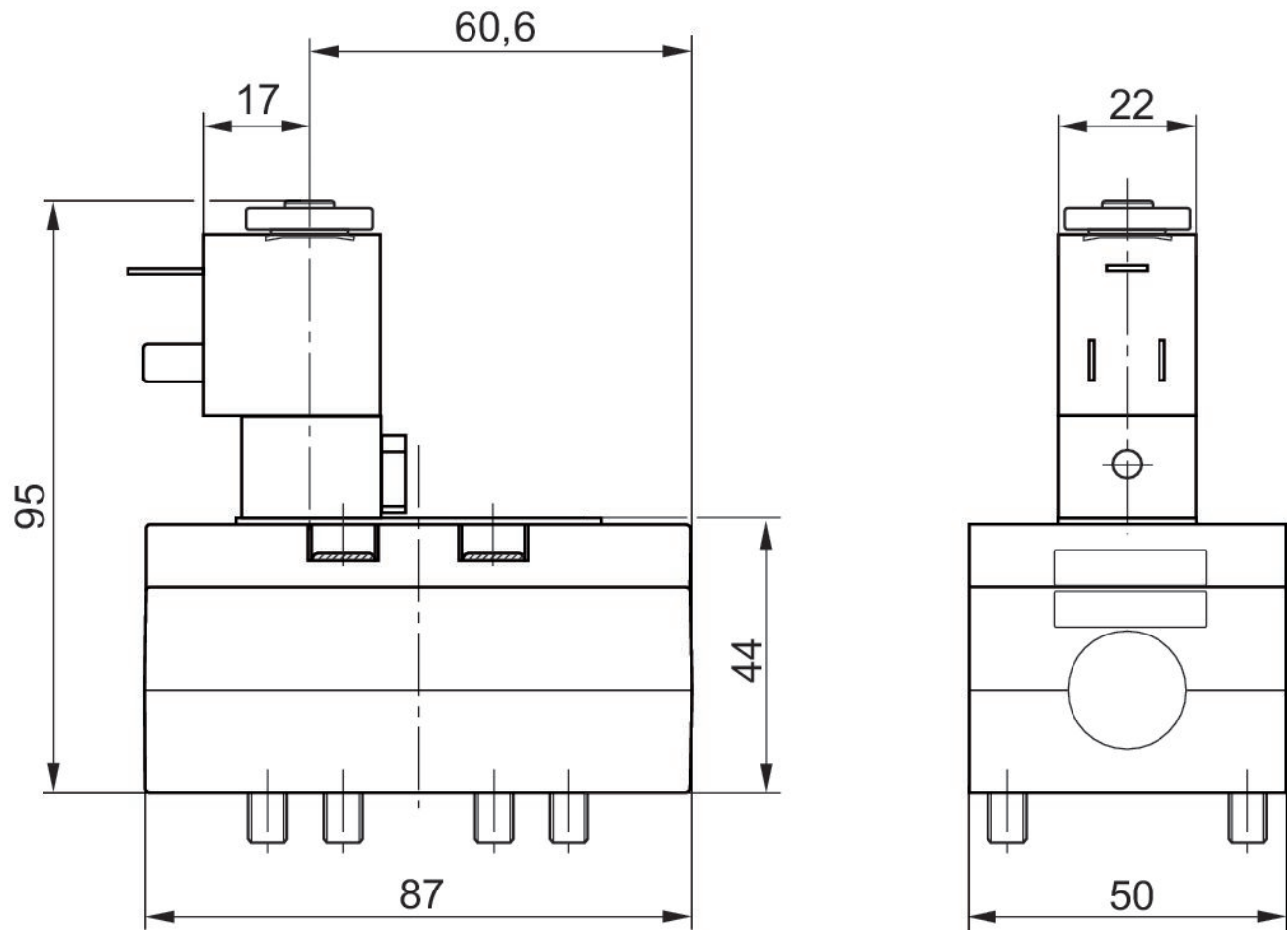
The oil content of compressed air must remain constant during the life cycle.

Use only the approved oils from AVENTICS. Further information can be found in the “Technical information” document (available in <https://www.emerson.com/en-us/support>).

Dimensions

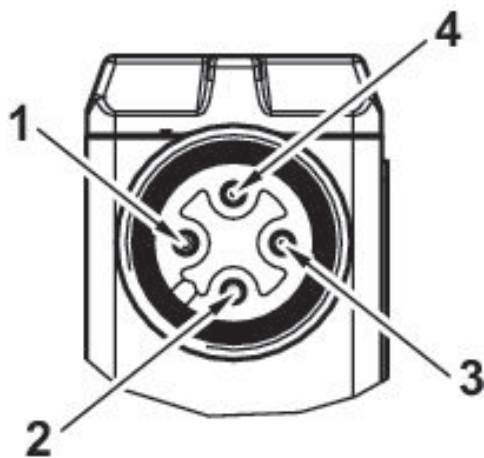


Dimensions



The pilot valves can be loosened and turned through 180°.

Pin assignments



- 1) not assigned
- 2) Coil 12
- 3) 0 V DC
- 4) Coil 14