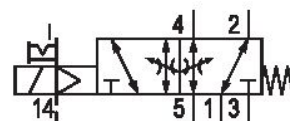


# 5/2-directional valve, Series 581, size 2

## 5812113300

ISO 5599-1, size 2, series 581

■  $Q_n = 2100 \dots 2700 \text{ l/min}$



### Technical data

Industry  
Industrial

Activation  
Electrically

Nominal flow  $Q_n$   
2700 l/min

Switching principle  
5/2

Compressed air connection output  
Base plate ISO 5599-1

Working pressure min.  
-0.95 bar

Working pressure max  
10 bar

Operational voltage AC at 60 Hz  
110 V

Voltage tolerance AC 60 Hz  
-10% / +10%

Manual override  
with detent

Electrical connection type  
Plug

Electrical connection size  
Form B, industry

Actuating control  
Single Solenoid

Sealing principle  
Soft Seal

Pilot  
External

Standards  
ISO 5599-1

Pilot valve width  
22 mm

Valve type  
Spool valve

**Blocking principle**

Single base plate principle

**Connection type**

Plate connection

**Return**

With spring return

**Compressed air connection input**

Base plate ISO 5599-1

**Compressed air connection, exhaust**

Base plate ISO 5599-1

**Compressed air connection pilot exhaust**

M5

**Holding power AC 60 Hz**

8 VA

**Switch-on power AC 60 Hz**

10 VA

**Flow conductance C**

10.8 l/(s\*bar)

**Throttle**

with throttle

**Frame size**

ISO 2

**Control pressure min.**

3 bar

**Control pressure max.**

10 bar

**Min. ambient temperature**

-15 °C

**Max. ambient temperature**

50 °C

**Min. medium temperature**

-15 °C

**Max. medium temperature**

50 °C

**Medium**

Compressed air

**Max. particle size**

50 µm

**Oil content of compressed air min.**

0 mg/m<sup>3</sup>

**Oil content of compressed air max.**

5 mg/m<sup>3</sup>

**Protection class with connection**

IP65

**Duty cycle**

100 %

**Typ. switch-on time**

15 ms

**Typ. switch-off time**

46 ms

**mounting screws**

with hexagon socket

**Mounting screw tightening torque**

3.5 Nm

**Weight**

0.34 kg

**Housing material**

Polyamide fiber-glass reinforced

**Seal material**

Acrylonitrile butadiene rubber

**Part No.**

5812113300

## Technical information

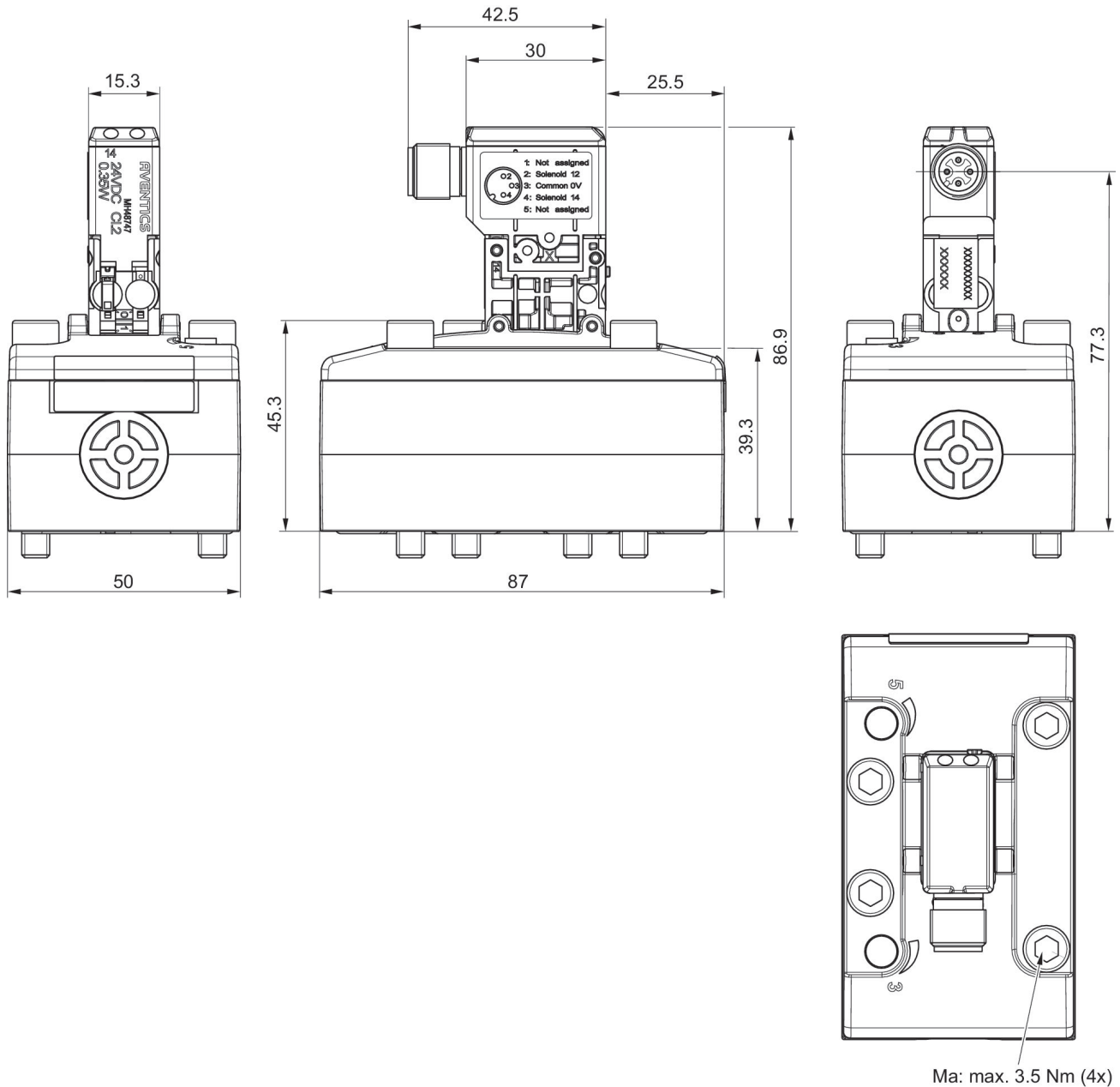
The min. control pressure must be adhered to, since otherwise faulty switching and valve failure may result!

The pressure dew point must be at least 15 °C under ambient and medium temperature and may not exceed 3 °C .

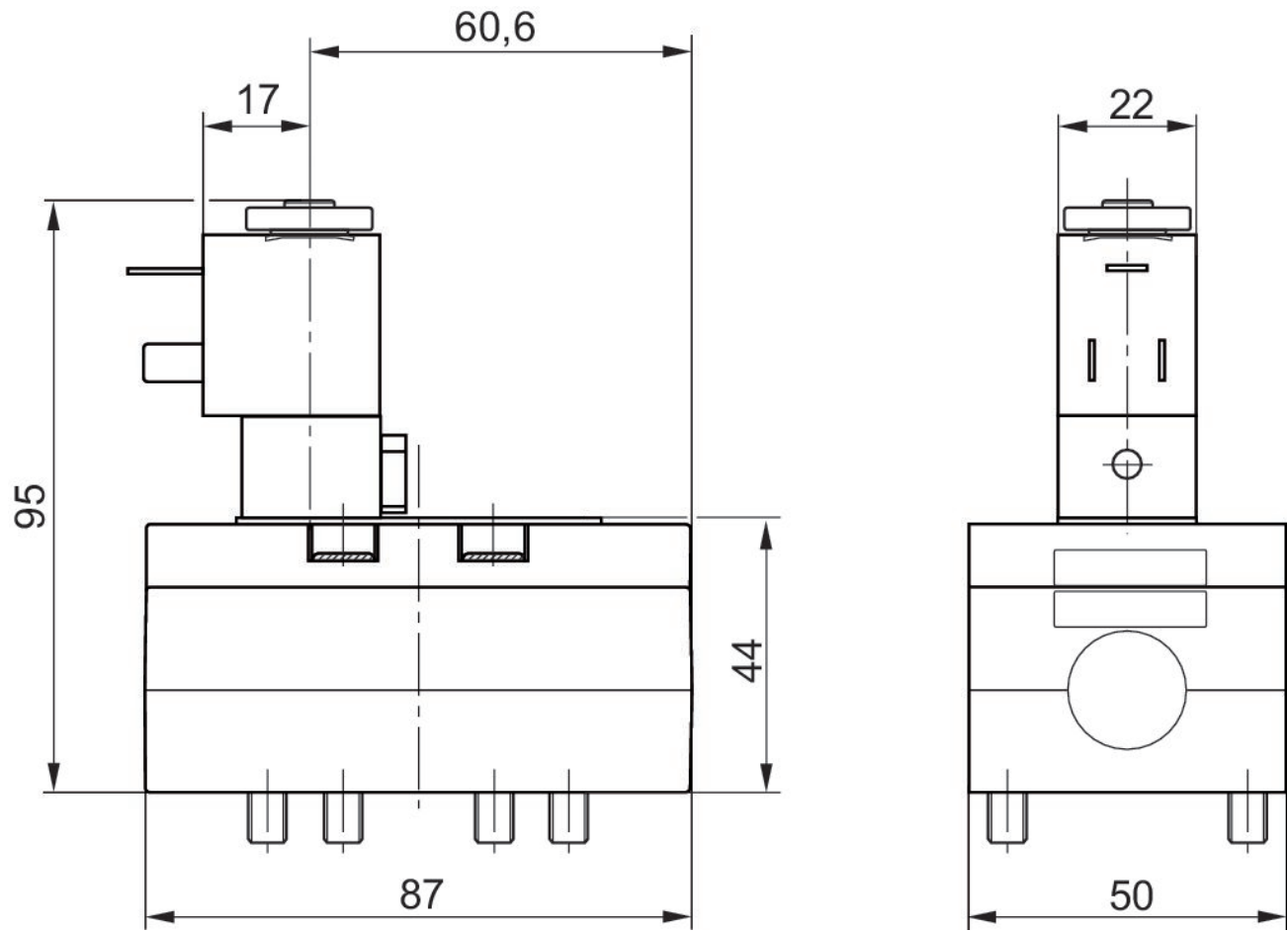
The oil content of compressed air must remain constant during the life cycle.

Use only the approved oils from AVENTICS. Further information can be found in the “Technical information” document (available in <https://www.emerson.com/en-us/support>).

## Dimensions

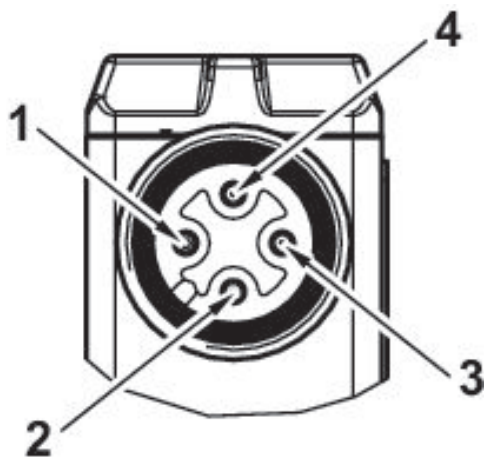


## Dimensions



The pilot valves can be loosened and turned through 180°.

## Pin assignments



- 1) not assigned
- 2) Coil 12
- 3) 0 V DC
- 4) Coil 14