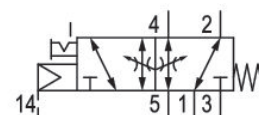


5811113000

- $Q_n = 950 \dots 1400$  l/min

## AVENTICS Series 581 - Size 1 Standardized valves

The AVENTICS series 581 complies with the ISO 5599-1 valve standard. Due to the high degree of modularity, the series offers all valve functions, integrated throttle valves, various pilot coils and an extensive range of accessories.



## Technical data

Industry

Activation

Nominal flow  $Q_n$

Switching principle

Compressed air connection output

Min. working pressure

Max. working pressure

Manual override

Electrical connection type

Electrical connection size

Actuating control

Sealing principle

Pilot

Standards

Pilot valve width

Valve type

Blocking principle

Connection type

Return

Industrial

Electrically

1400 l/min

5/2, with spring return

Base plate ISO 5599-1

-0.95 bar

10 bar

with detent

Plug

Form B, industry

Single Solenoid

Soft seal

External

ISO 5599-1

22 mm

Spool valve

Single base plate principle

Plate connection

With spring return

# 5/2-directional valve, Series 581, size 1

2023-11-28

5811113000

---

Compressed air connection input	Base plate ISO 5599-1
Compressed air connection, exhaust	Base plate ISO 5599-1
Compressed air connection pilot exhaust	M5
Flow conductance C	5.2 l/(s*bar)
Throttle	with throttle
Basic valve equipment	Basic valve without coil
Frame size	ISO 1
Min. control pressure	3 bar
Max. control pressure	10 bar
Min. ambient temperature	-15 °C
Max. ambient temperature	50 °C
Min. medium temperature	-15 °C
Max. medium temperature	50 °C
Medium	Compressed air
Max. particle size	50 µm
Min. oil content of compressed air	0 mg/m <sup>3</sup>
Max. oil content of compressed air	5 mg/m <sup>3</sup>
Protection class with connection	IP65
Duty cycle	100 %
Typ. switch-on time	12 ms
Typ. switch-off time	28 ms
Mounting screws	with hexagon socket
Mounting screw tightening torque	2 Nm
Weight	0.23 kg
Housing material	Polyamide fiber-glass reinforced
Seal material	Acrylonitrile butadiene rubber
Part No.	5811113000

## Technical information

The min. control pressure must be adhered to, since otherwise faulty switching and valve failure may result!

The pressure dew point must be at least 15 °C less than ambient and medium temperature and may not exceed 3 °C.

The oil content of compressed air must remain constant during the life cycle.

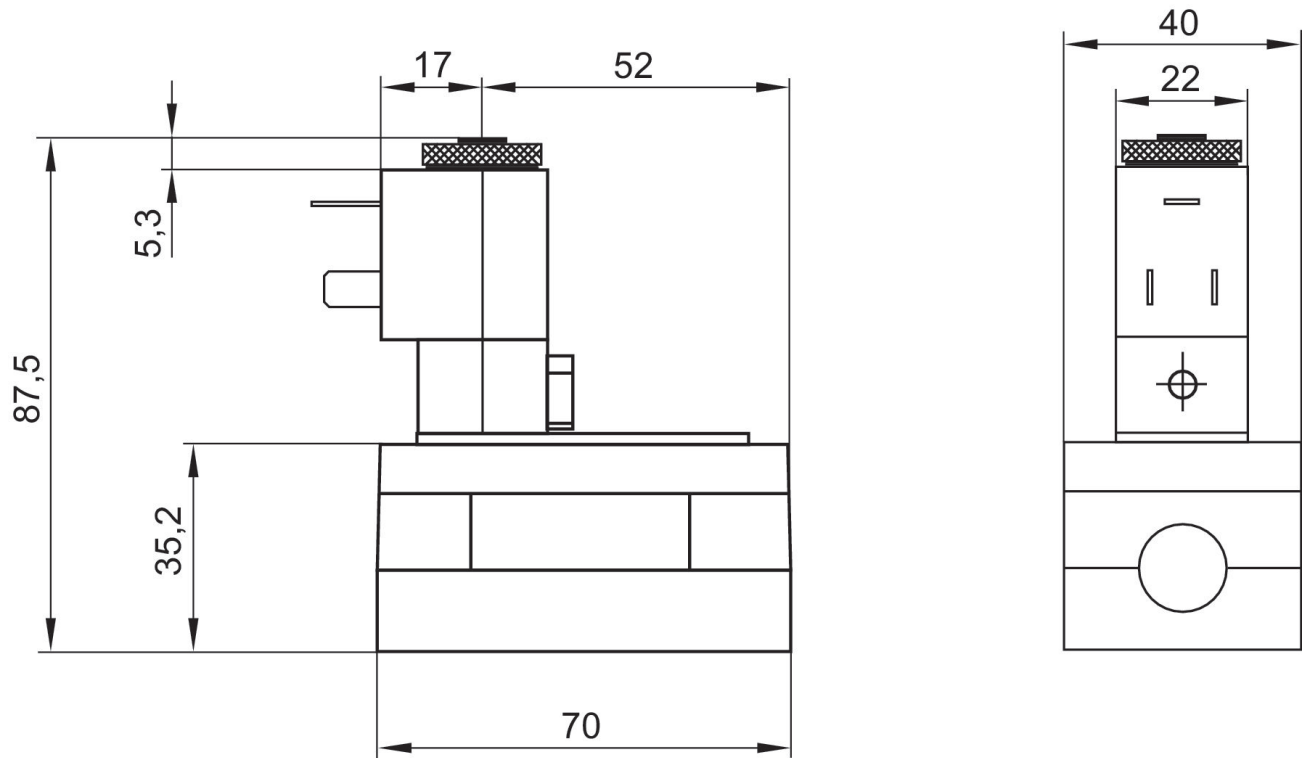
Use only the approved oils from AVENTICS. Further information can be found in the “Technical information” document (available in <https://www.emerson.com/en-us/support>).

# 5/2-directional valve, Series 581, size 1

2023-11-28

5811113000

## Dimensions



The pilot valves can be loosened and turned through 180°.