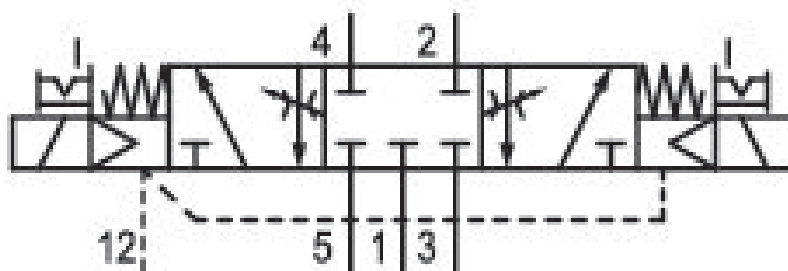
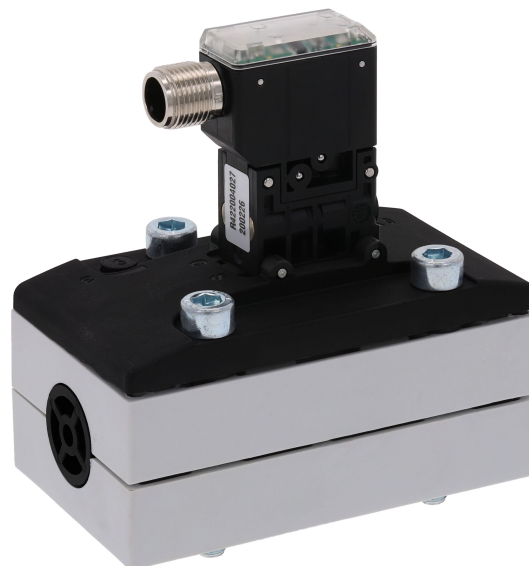


5/3-directional valve, Series 581, size 2

5812421710

ISO 5599-1, size 2, series 581

■ $Q_n = 2100 \dots 2700 \text{ l/min}$



Technical data

Industry
Industrial

Activation
Electrically

Nominal flow Q_n
2100 l/min

Switching principle
5/3

Version
Closed Center

Compressed air connection output
Base plate ISO 5599-1

Working pressure min.
-0.95 bar

Working pressure max
10 bar

DC operating voltage
24 V

Voltage tolerance DC
-10% / +10%

Manual override
with detent

Electrical connection type
Plug

Electrical connection size
M12

Electr. connection
4-pin

Sealing principle Soft Seal	Max. ambient temperature 50 °C
Pilot Internal	Min. medium temperature 0 °C
Standards ISO 5599-1	Max. medium temperature 50 °C
Pilot valve width 22 mm	Medium Compressed air
Valve type Spool valve	Max. particle size 5 µm
Blocking principle Single base plate principle	Oil content of compressed air min. 0 mg/m ³
Connection type Plate connection	Oil content of compressed air max. 5 mg/m ³
Compressed air connection input Base plate ISO 5599-1	Protection class with connection IP65
Compressed air connection, exhaust Base plate ISO 5599-1	Duty cycle 100 %
Compressed air connection pilot exhaust M5	Typ. switch-on time 15 ms
Power consumption DC 0.35 W	Typ. switch-off time 35 ms
Flow conductance C 8.9 l/(s*bar)	mounting screws with hexagon socket
Throttle with throttle	Mounting screw tightening torque 3.5 Nm
Frame size ISO 2	Weight 0.28 kg
Control pressure min. 3 bar	Housing material Polyamide fiber-glass reinforced
Control pressure max. 10 bar	Seal material Acrylonitrile butadiene rubber
Min. ambient temperature 0 °C	Part No. 5812421710

Technical information

Switch-on power: 1 W for 40 ms

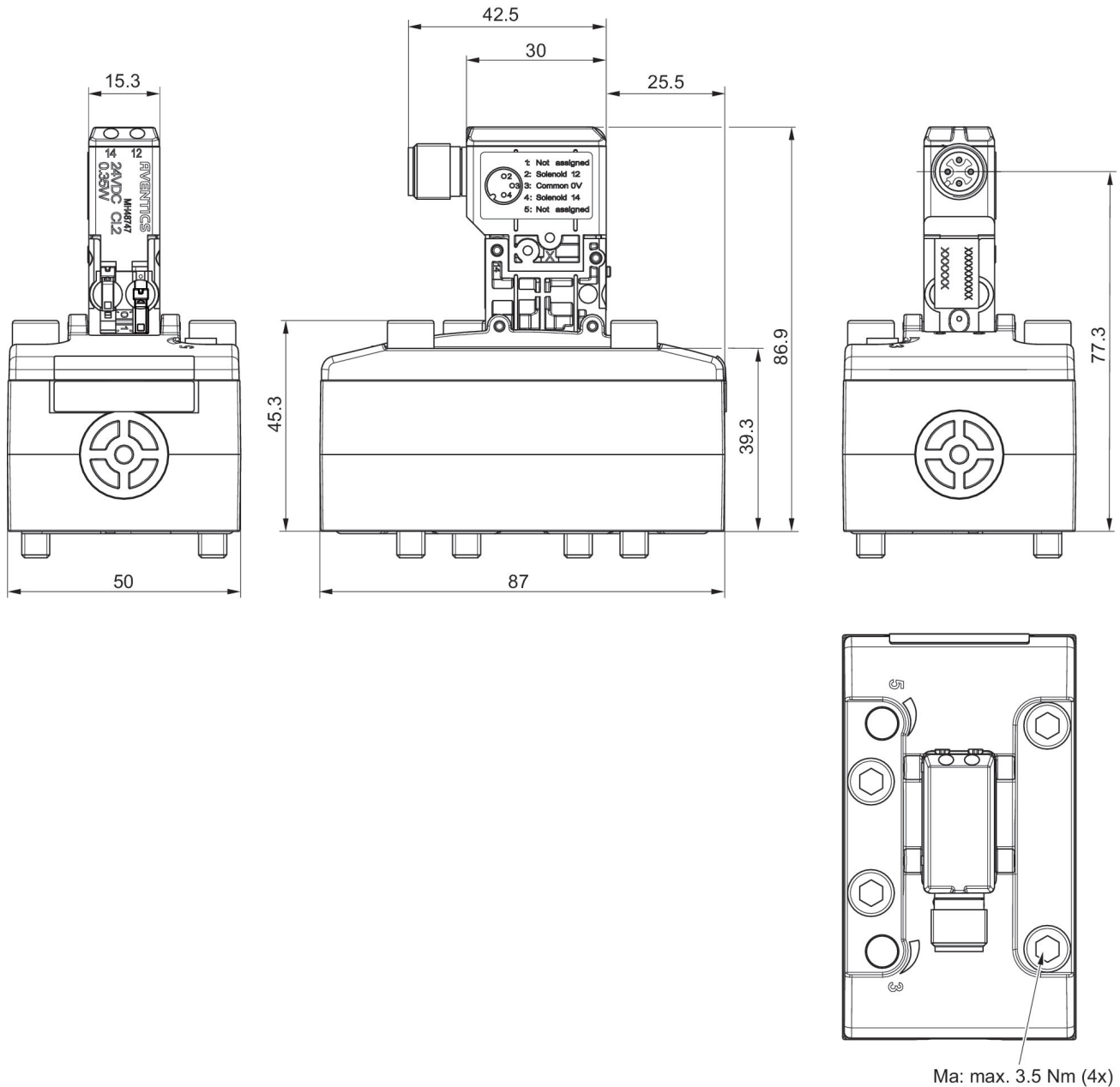
The min. control pressure must be adhered to, since otherwise faulty switching and valve failure may result!

The pressure dew point must be at least 15 °C under ambient and medium temperature and may not exceed 3 °C .

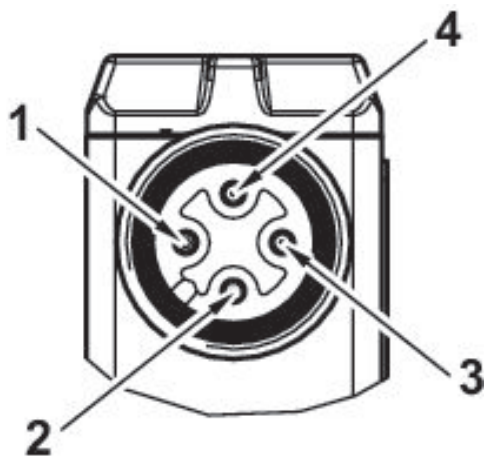
The oil content of compressed air must remain constant during the life cycle.

Use only the approved oils from AVENTICS. Further information can be found in the “Technical information” document (available in <https://www.emerson.com/en-us/support>).

Dimensions



Pin assignments



-
- 1) not assigned
 - 2) Coil 12
 - 3) 0 V DC
 - 4) Coil 14