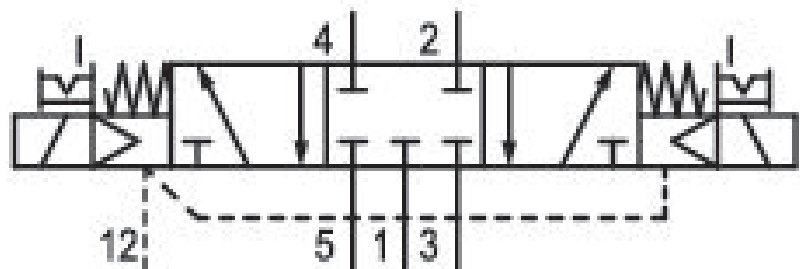


5/3-directional valve, Series 581, size 3

5813420710

ISO 5599-1, size 3, series 581

■ $Q_n = 4100 \dots 4800 \text{ l/min}$



Technical data

Industry

Industrial

Activation

Electrically

Nominal flow Q_n

4100 l/min

Switching principle

5/3

Version

Closed Center

Compressed air connection output

Base plate ISO 5599-1

Working pressure min.

-0.95 bar

Working pressure max

10 bar

DC operating voltage

24 V

Voltage tolerance DC

-10% / +10%

Manual override

with detent

Electrical connection type

Plug

Electrical connection size

M12

Electr. connection

4-pin

Sealing principle

Soft Seal

Pilot

Internal

Standards

ISO 5599-1

Pilot valve width

16 mm

Valve type

Spool valve

Blocking principle

Single base plate principle

Connection type

Plate connection

Compressed air connection input

Base plate ISO 5599-1

Compressed air connection, exhaust

Base plate ISO 5599-1

Compressed air connection pilot exhaust

Base plate ISO 5599-1

Power consumption DC

0.35 W

Flow conductance C

14.1 l/(s*bar)

Frame size

ISO 3

Control pressure min.

3 bar

Control pressure max.

10 bar

Min. ambient temperature

0 °C

Max. ambient temperature

50 °C

Min. medium temperature

0 °C

Max. medium temperature

50 °C

Medium

Compressed air

Max. particle size

5 µm

Oil content of compressed air min.

0 mg/m³

Oil content of compressed air max.

5 mg/m³

Protection class with connection

IP65

Protective circuit

Z-diode

LED status display

Yellow

Duty cycle

100 %

Typ. switch-on time

24 ms

Typ. switch-off time

48 ms

mounting screws

with hexagon socket

Mounting screw tightening torque

10 Nm

Weight

0.9 kg

Housing material

Aluminum

Seal material

Acrylonitrile butadiene rubber

Part No.

5813420710

Technical information

Switch-on power: 1 W for 40 ms

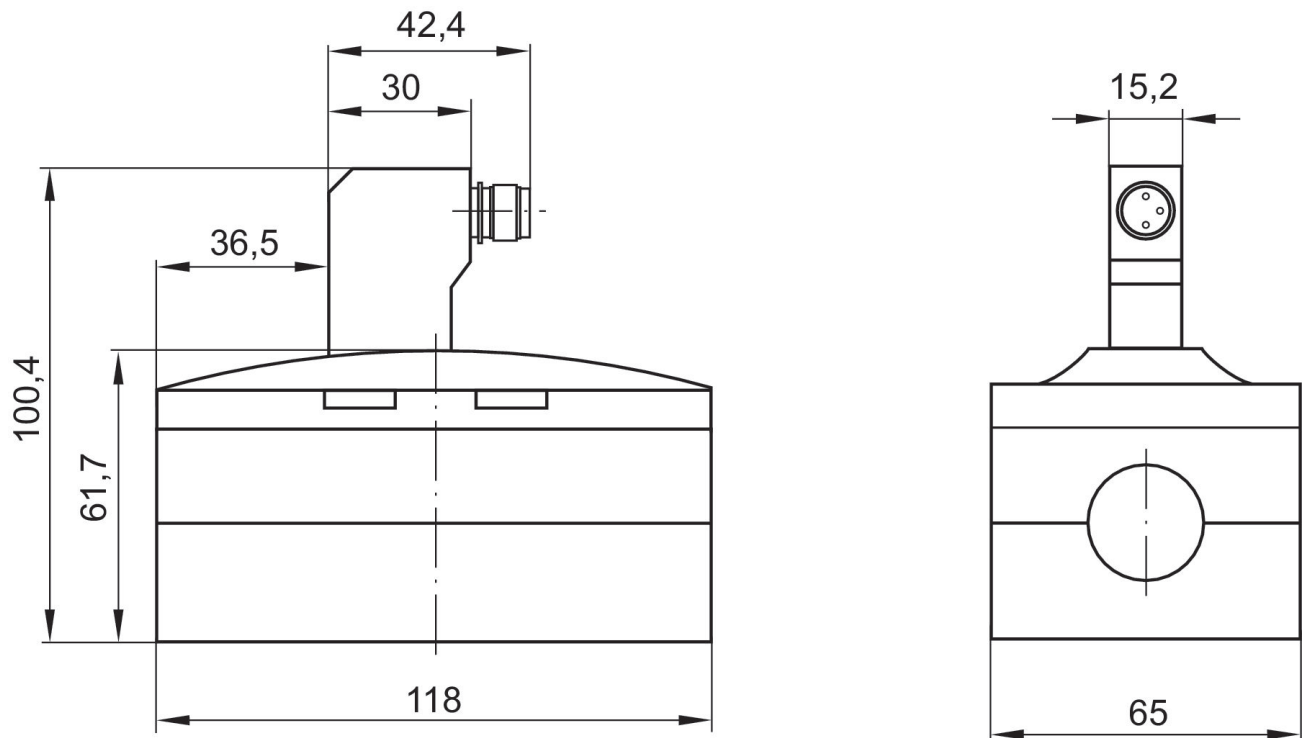
The min. control pressure must be adhered to, since otherwise faulty switching and valve failure may result!

The pressure dew point must be at least 15 °C under ambient and medium temperature and may not exceed 3 °C .

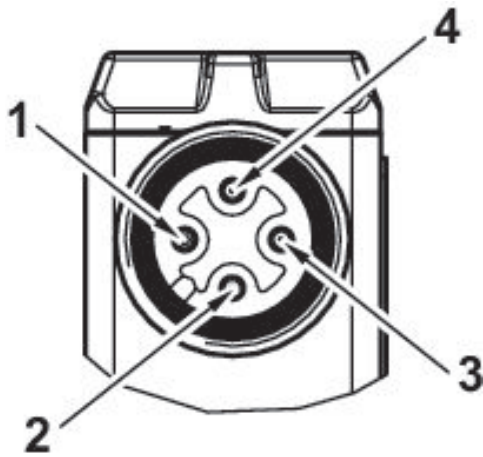
The oil content of compressed air must remain constant during the life cycle.

Use only the approved oils from AVENTICS. Further information can be found in the "Technical information" document (available in <https://www.emerson.com/en-us/support>).

Dimensions



Pin assignments



- 1) not assigned
- 2) Coil 12
- 3) 0 V DC
- 4) Coil 14