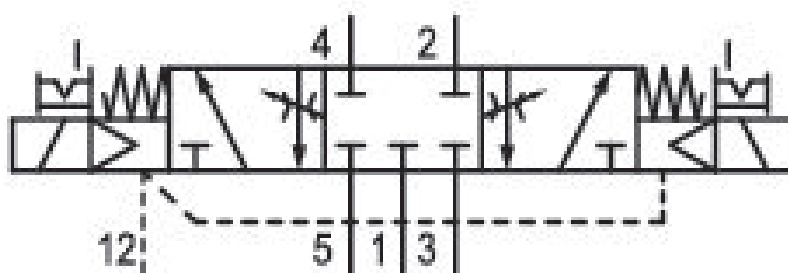


5/3-directional valve, Series 581, size 3

5813421710

ISO 5599-1, size 3, series 581

■ $Q_n = 4100 \dots 4800 \text{ l/min}$



Technical data

Industry
Industrial

Activation
Electrically

Nominal flow Q_n
4100 l/min

Switching principle
5/3

Version
Closed Center

Compressed air connection output
Base plate ISO 5599-1

Working pressure min.
-0.95 bar

Working pressure max
10 bar

DC operating voltage
24 V

Voltage tolerance DC
-10% / +10%

Manual override
with detent

Electrical connection type
Plug

Electrical connection size
M12

Electr. connection
4-pin

Sealing principle Soft Seal	Min. medium temperature 0 °C
Pilot Internal	Max. medium temperature 50 °C
Standards ISO 5599-1	Medium Compressed air
Pilot valve width 16 mm	Max. particle size 5 µm
Valve type Spool valve	Oil content of compressed air min. 0 mg/m ³
Blocking principle Single base plate principle	Oil content of compressed air max. 5 mg/m ³
Connection type Plate connection	Protection class with connection IP65
Compressed air connection input Base plate ISO 5599-1	Protective circuit Z-diode
Compressed air connection, exhaust Base plate ISO 5599-1	LED status display Yellow
Compressed air connection pilot exhaust Base plate ISO 5599-1	Duty cycle 100 %
Power consumption DC 0.35 W	Typ. switch-on time 24 ms
Flow conductance C 14.1 l/(s*bar)	Typ. switch-off time 48 ms
Throttle with throttle	mounting screws with hexagon socket
Frame size ISO 3	Mounting screw tightening torque 10 Nm
Control pressure min. 3 bar	Weight 0.9 kg
Control pressure max. 10 bar	Housing material Aluminum
Min. ambient temperature 0 °C	Seal material Acrylonitrile butadiene rubber
Max. ambient temperature 50 °C	Part No. 5813421710

Technical information

Switch-on power: 1 W for 40 ms

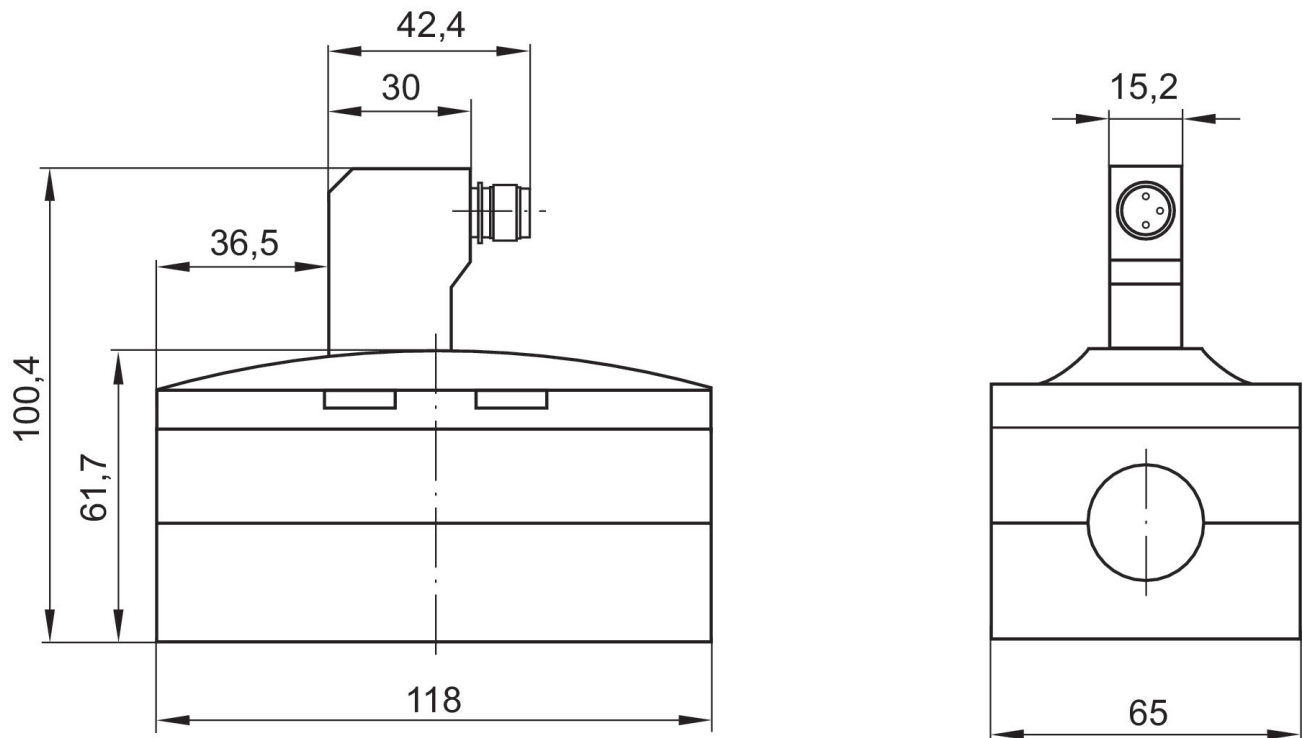
The min. control pressure must be adhered to, since otherwise faulty switching and valve failure may result!

The pressure dew point must be at least 15 °C under ambient and medium temperature and may not exceed 3 °C .

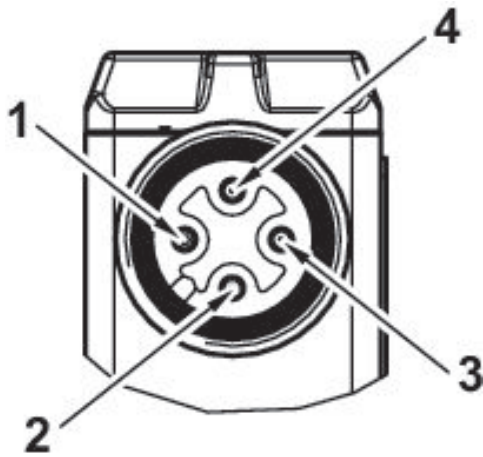
The oil content of compressed air must remain constant during the life cycle.

Use only the approved oils from AVENTICS. Further information can be found in the “Technical information” document (available in <https://www.emerson.com/en-us/support>).

Dimensions



Pin assignments



- 1) not assigned
- 2) Coil 12
- 3) 0 V DC
- 4) Coil 14