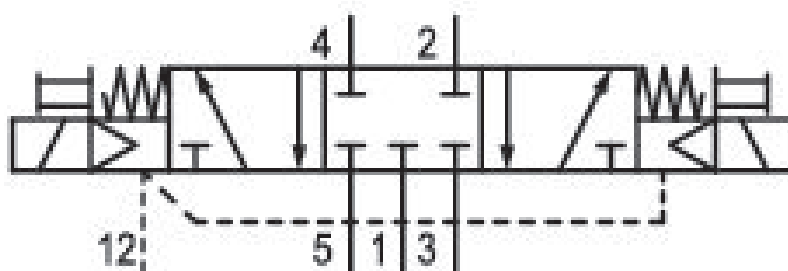


# 5/3-directional valve, Series 581, size 3

## 5813420720

ISO 5599-1, size 3, series 581

■  $Q_n = 4100 \dots 4800 \text{ l/min}$



### Technical data

Industry  
Industrial

Activation  
Electrically

Nominal flow  $Q_n$   
4100 l/min

Switching principle  
5/3

Version  
Closed Center

Compressed air connection output  
Base plate ISO 5599-1

Working pressure min.  
-0.95 bar

Working pressure max  
10 bar

DC operating voltage  
24 V

Voltage tolerance DC  
-10% / +10%

Manual override  
without detent

Electrical connection type  
Plug

Electrical connection size  
M12

Electr. connection  
4-pin

**Sealing principle**

Soft Seal

**Pilot**

Internal

**Standards**

ISO 5599-1

**Pilot valve width**

16 mm

**Valve type**

Spool valve

**Blocking principle**

Single base plate principle

**Connection type**

Plate connection

**Compressed air connection input**

Base plate ISO 5599-1

**Compressed air connection, exhaust**

Base plate ISO 5599-1

**Compressed air connection pilot exhaust**

Base plate ISO 5599-1

**Power consumption DC**

0.35 W

**Flow conductance C**

14.1 l/(s\*bar)

**Frame size**

ISO 3

**Control pressure min.**

3 bar

**Control pressure max.**

10 bar

**Min. ambient temperature**

0 °C

**Max. ambient temperature**

50 °C

**Min. medium temperature**

0 °C

**Max. medium temperature**

50 °C

**Medium**

Compressed air

**Max. particle size**

5 µm

**Oil content of compressed air min.**

0 mg/m<sup>3</sup>

**Oil content of compressed air max.**

5 mg/m<sup>3</sup>

**Protection class with connection**

IP65

**Protective circuit**

Z-diode

**LED status display**

Yellow

**Duty cycle**

100 %

**Typ. switch-on time**

24 ms

**Typ. switch-off time**

48 ms

**mounting screws**

with hexagon socket

**Mounting screw tightening torque**

10 Nm

**Weight**

0.9 kg

**Housing material**

Aluminum

**Seal material**

Acrylonitrile butadiene rubber

**Part No.**

5813420720

## Technical information

Switch-on power: 1 W for 40 ms

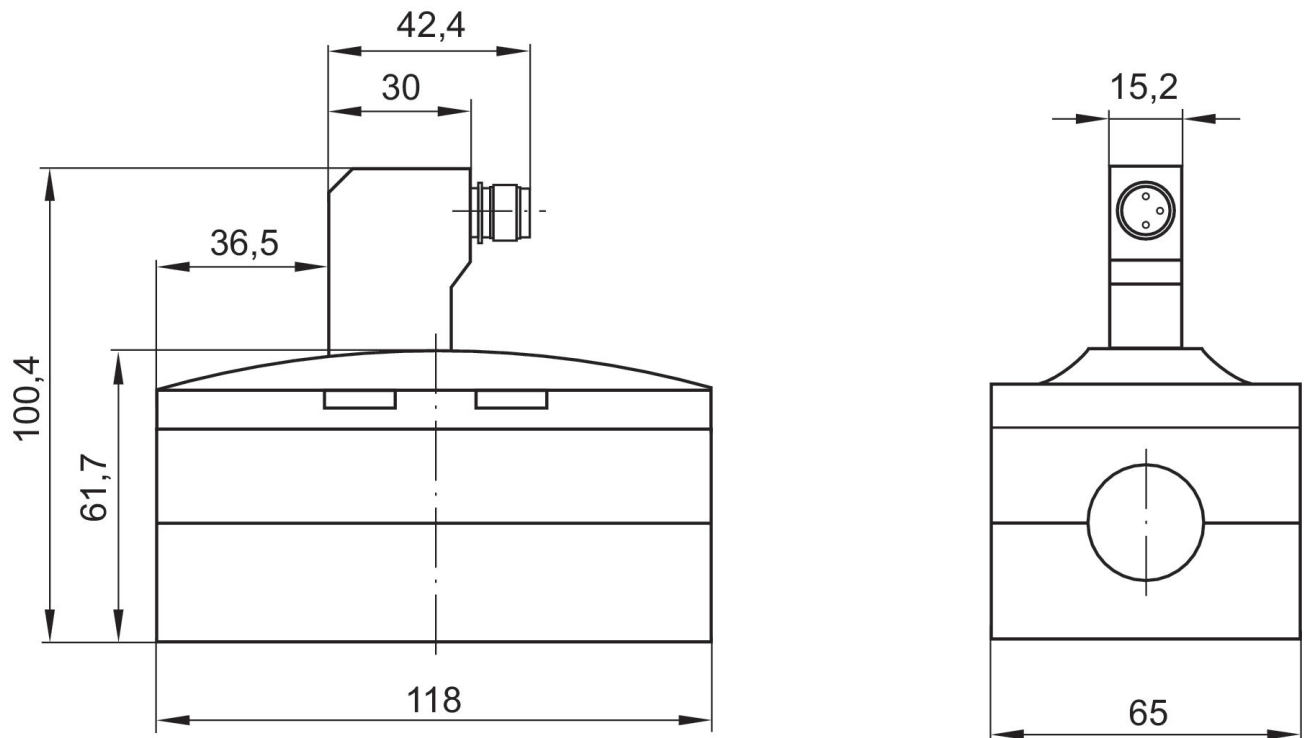
The min. control pressure must be adhered to, since otherwise faulty switching and valve failure may result!

The pressure dew point must be at least 15 °C under ambient and medium temperature and may not exceed 3 °C .

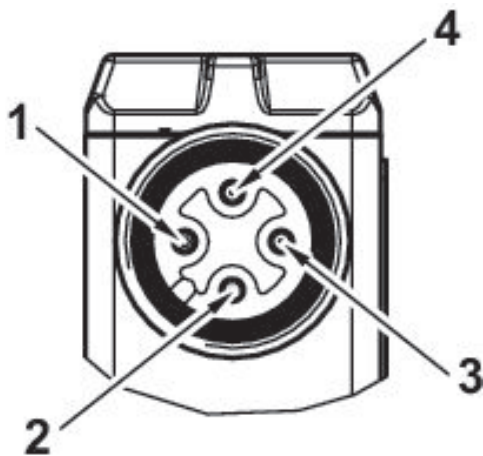
The oil content of compressed air must remain constant during the life cycle.

Use only the approved oils from AVENTICS. Further information can be found in the "Technical information" document (available in <https://www.emerson.com/en-us/support>).

## Dimensions



## Pin assignments



- 1) not assigned
- 2) Coil 12
- 3) 0 V DC
- 4) Coil 14