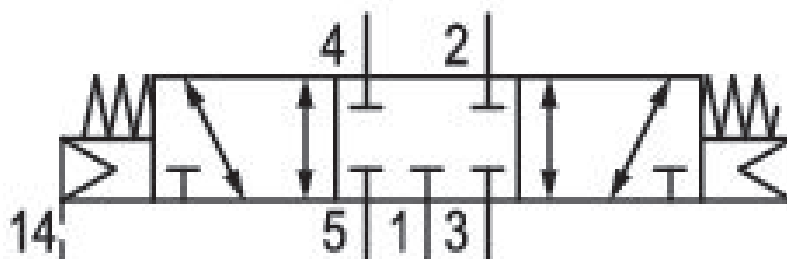


5/3-directional valve, Series 581, size 3

5813422000

ISO 5599-1, size 3, series 581

- $Q_n = 4100 \dots 4800$ l/min



Technical data

Industry
Industrial

Activation
Electrically

Nominal flow Q_n
4100 l/min

Switching principle
5/3

Version
Closed Center

Compressed air connection output
Base plate ISO 5599-1

Working pressure min.
-0.95 bar

Working pressure max
10 bar

Manual override
with detent

Electrical connection type
Plug

Electrical connection size
Form B, industry

Sealing principle
Soft Seal

Pilot
External

Standards
ISO 5599-1

Pilot valve width
22 mm

Valve type
Spool valve

Blocking principle

Single base plate principle

Connection type

Plate connection

Compressed air connection input

Base plate ISO 5599-1

Compressed air connection, exhaust

Base plate ISO 5599-1

Compressed air connection pilot exhaust

M5

Flow conductance C

14.1 l/(s*bar)

basic valve with electrical connector

Basic valve without coil

Frame size

ISO 3

Control pressure min.

3 bar

Control pressure max.

10 bar

Min. ambient temperature

-15 °C

Max. ambient temperature

50 °C

Min. medium temperature

-15 °C

Max. medium temperature

50 °C

Medium

Compressed air

Max. particle size

50 µm

Oil content of compressed air min.
0 mg/m³

Oil content of compressed air max.
5 mg/m³

Protection class with connection
IP65

Duty cycle
100 %

Typ. switch-on time
23 ms

Typ. switch-off time
64 ms

mounting screws
with hexagon socket

Mounting screw tightening torque
10 Nm

Weight
1.01 kg

Housing material
Aluminum

Seal material
Acrylonitrile butadiene rubber

Part No.
5813422000

Technical information

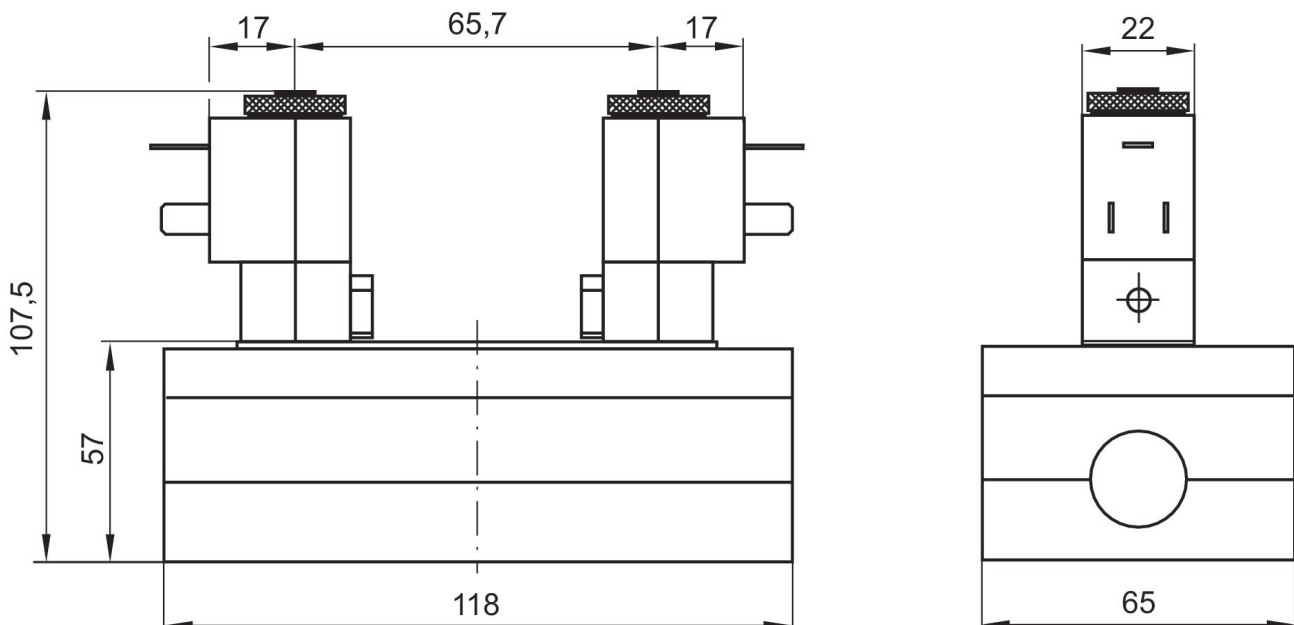
The min. control pressure must be adhered to, since otherwise faulty switching and valve failure may result!

The pressure dew point must be at least 15 °C under ambient and medium temperature and may not exceed 3 °C .

The oil content of compressed air must remain constant during the life cycle.

Use only the approved oils from AVENTICS. Further information can be found in the "Technical information" document (available in <https://www.emerson.com/en-us/support>).

Dimensions



The pilot valves can be loosened and turned through 180°.