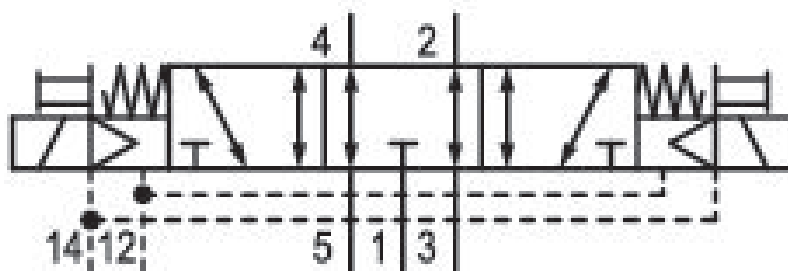
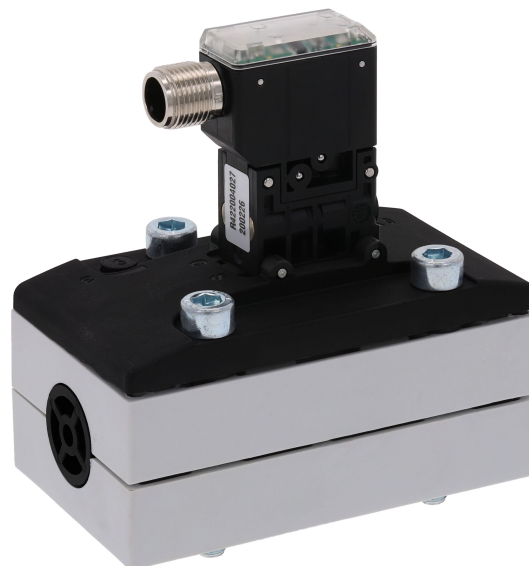


# 5/3-directional valve, Series 581, size 2

## 5812522720

ISO 5599-1, size 2, series 581

■  $Q_n = 2100 \dots 2700 \text{ l/min}$



### Technical data

Industry  
Industrial

Activation  
Electrically

Nominal flow  $Q_n$   
2100 l/min

Switching principle  
5/3

Version  
Exhausted Center

Compressed air connection output  
Base plate ISO 5599-1

Working pressure min.  
-0.95 bar

Working pressure max  
10 bar

DC operating voltage  
24 V

Voltage tolerance DC  
-10% / +10%

Manual override  
without detent

Electrical connection type  
Plug

Electrical connection size  
M12

Electr. connection  
4-pin

<b>Sealing principle</b> Soft Seal	<b>Min. medium temperature</b> 0 °C
<b>Pilot</b> External	<b>Max. medium temperature</b> 50 °C
<b>Standards</b> ISO 5599-1	<b>Medium</b> Compressed air
<b>Pilot valve width</b> 22 mm	<b>Max. particle size</b> 5 µm
<b>Valve type</b> Spool valve	<b>Oil content of compressed air min.</b> 0 mg/m <sup>3</sup>
<b>Blocking principle</b> Single base plate principle	<b>Oil content of compressed air max.</b> 5 mg/m <sup>3</sup>
<b>Connection type</b> Plate connection	<b>Protection class with connection</b> IP65
<b>Compressed air connection input</b> Base plate ISO 5599-1	<b>Duty cycle</b> 100 %
<b>Compressed air connection, exhaust</b> Base plate ISO 5599-1	<b>Typ. switch-on time</b> 15 ms
<b>Compressed air connection pilot exhaust</b> M5	<b>Typ. switch-off time</b> 35 ms
<b>Power consumption DC</b> 0.35 W	<b>mounting screws</b> with hexagon socket
<b>Flow conductance C</b> 8.9 l/(s*bar)	<b>Mounting screw tightening torque</b> 3.5 Nm
<b>Frame size</b> ISO 2	<b>Weight</b> 0.28 kg
<b>Control pressure min.</b> 3 bar	<b>Housing material</b> Polyamide fiber-glass reinforced
<b>Control pressure max.</b> 10 bar	<b>Seal material</b> Acrylonitrile butadiene rubber
<b>Min. ambient temperature</b> 0 °C	<b>Part No.</b> 5812522720
<b>Max. ambient temperature</b> 50 °C	

## Technical information

Switch-on power: 1 W for 40 ms

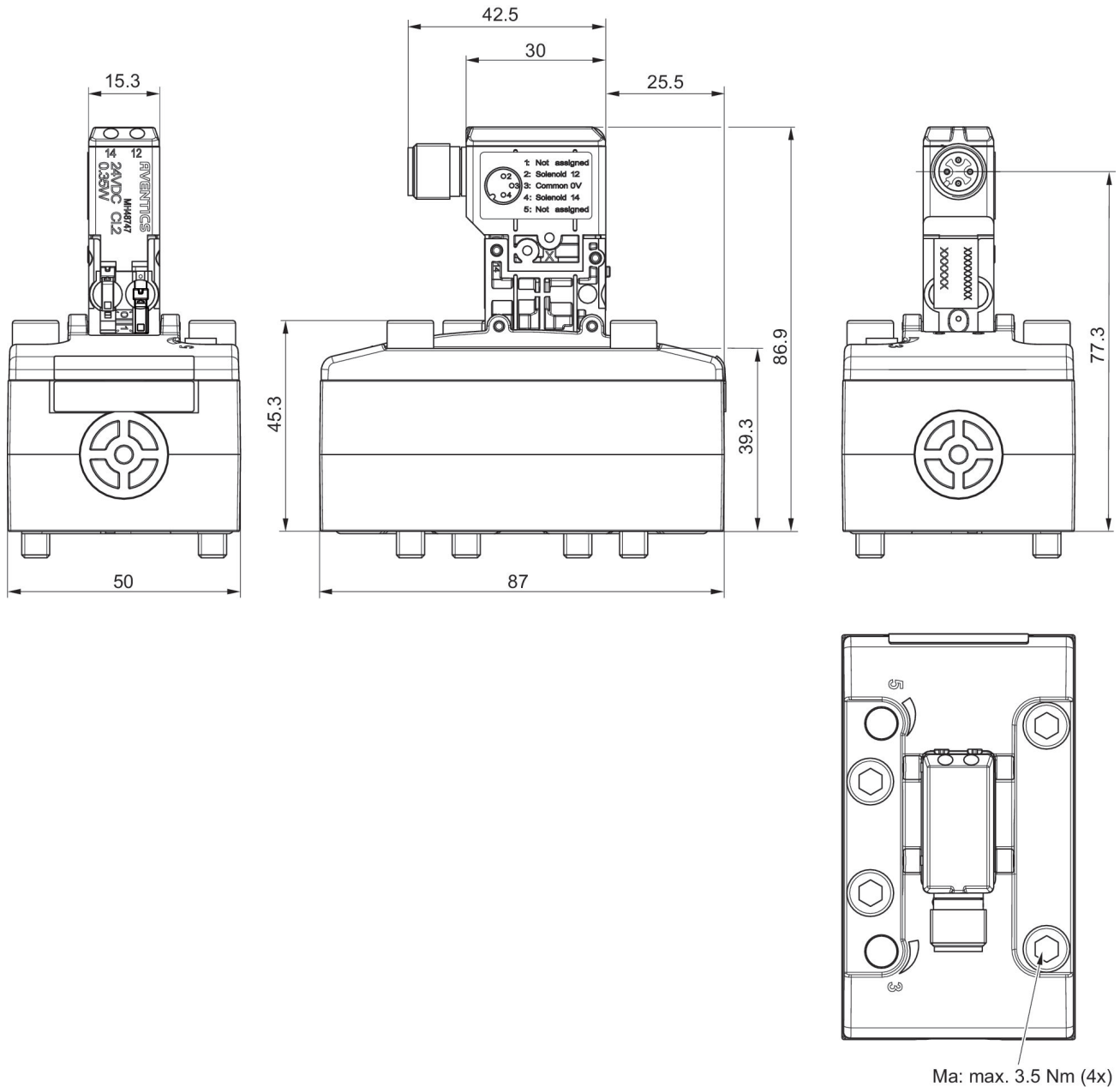
The min. control pressure must be adhered to, since otherwise faulty switching and valve failure may result!

The pressure dew point must be at least 15 °C under ambient and medium temperature and may not exceed 3 °C .

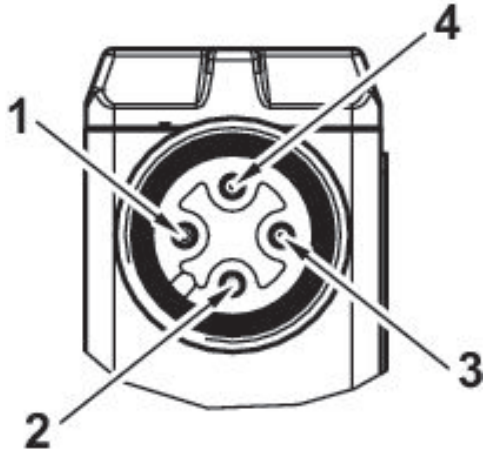
The oil content of compressed air must remain constant during the life cycle.

Use only the approved oils from AVENTICS. Further information can be found in the “Technical information” document (available in <https://www.emerson.com/en-us/support>).

## Dimensions



## Pin assignments



- 
- 1) not assigned
  - 2) Coil 12
  - 3) 0 V DC
  - 4) Coil 14