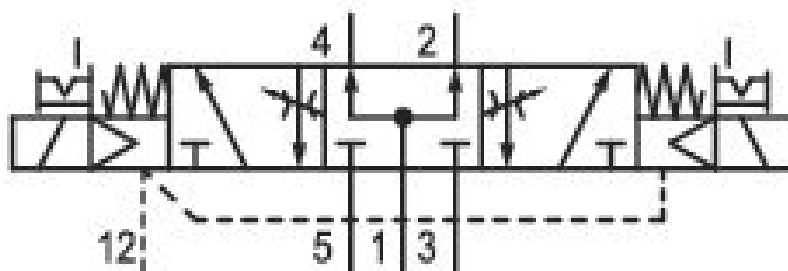
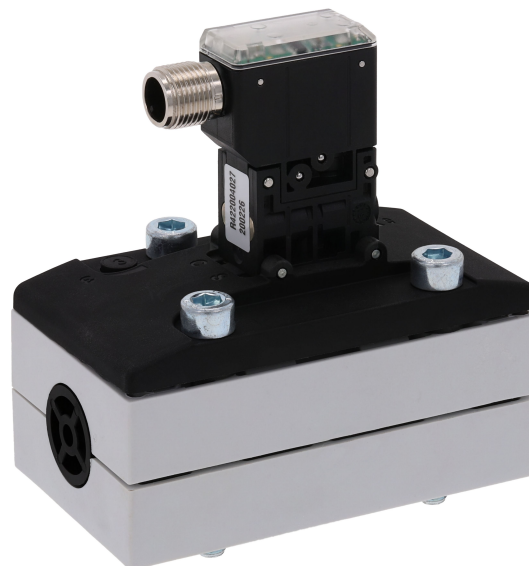


5/3-directional valve, Series 581, size 2

5812721710

ISO 5599-1, size 2, series 581

■ $Q_n = 2100 \dots 2700 \text{ l/min}$



Technical data

Industry
Industrial

Activation
Electrically

Nominal flow Q_n
2100 l/min

Switching principle
5/3

Version
Pressurized Center

Compressed air connection output
Base plate ISO 5599-1

Working pressure min.
-0.95 bar

Working pressure max
10 bar

DC operating voltage
24 V

Voltage tolerance DC
-10% / +10%

Manual override
with detent

Electrical connection type
Plug

Electrical connection size
M12

Electr. connection
4-pin

Sealing principle
Soft Seal

Pilot
Internal

Standards
ISO 5599-1

Pilot valve width
22 mm

Valve type
Spool valve

Blocking principle
Single base plate principle

Connection type
Plate connection

Compressed air connection input
Base plate ISO 5599-1

Compressed air connection, exhaust
Base plate ISO 5599-1

Compressed air connection pilot exhaust
M5

Power consumption DC
0.35 W

Flow conductance C
8.9 l/(s*bar)

Throttle
with throttle

Frame size
ISO 2

Control pressure min.
3 bar

Control pressure max.
10 bar

Min. ambient temperature
0 °C

Max. ambient temperature
50 °C

Min. medium temperature
0 °C

Max. medium temperature
50 °C

Medium
Compressed air

Max. particle size
5 µm

Oil content of compressed air min.
0 mg/m³

Oil content of compressed air max.
5 mg/m³

Protection class with connection
IP65

Duty cycle
100 %

Typ. switch-on time
15 ms

Typ. switch-off time
35 ms

mounting screws
with hexagon socket

Mounting screw tightening torque
3.5 Nm

Weight
0.28 kg

Housing material
Polyamide fiber-glass reinforced

Seal material
Acrylonitrile butadiene rubber

Part No.
5812721710

Technical information

Switch-on power: 1 W for 40 ms

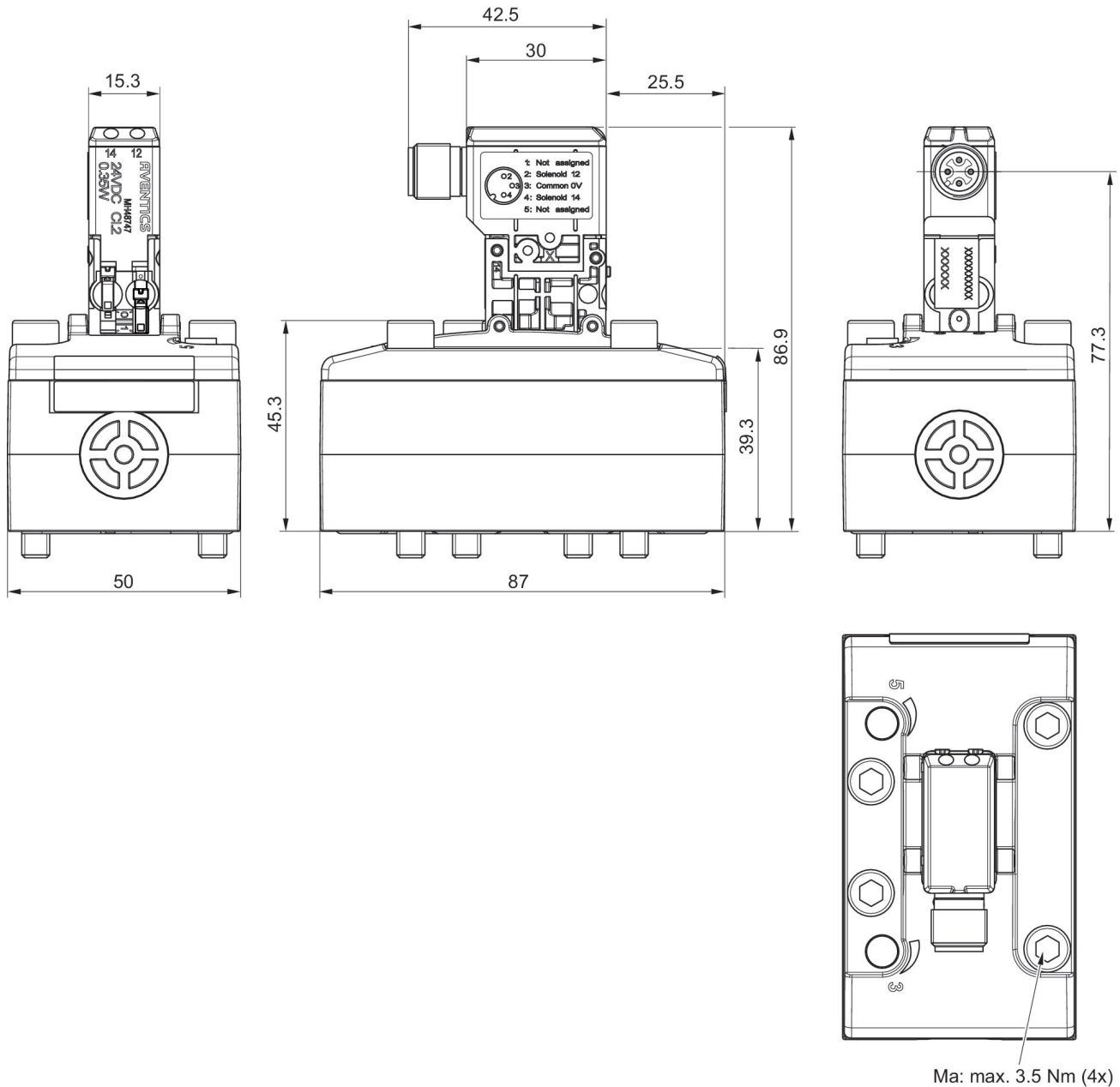
The min. control pressure must be adhered to, since otherwise faulty switching and valve failure may result!

The pressure dew point must be at least 15 °C under ambient and medium temperature and may not exceed 3 °C .

The oil content of compressed air must remain constant during the life cycle.

Use only the approved oils from AVENTICS. Further information can be found in the “Technical information” document (available in <https://www.emerson.com/en-us/support>).

Dimensions



Pin assignments



-
- 1) not assigned
 - 2) Coil 12
 - 3) 0 V DC
 - 4) Coil 14