

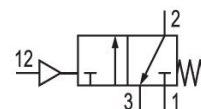
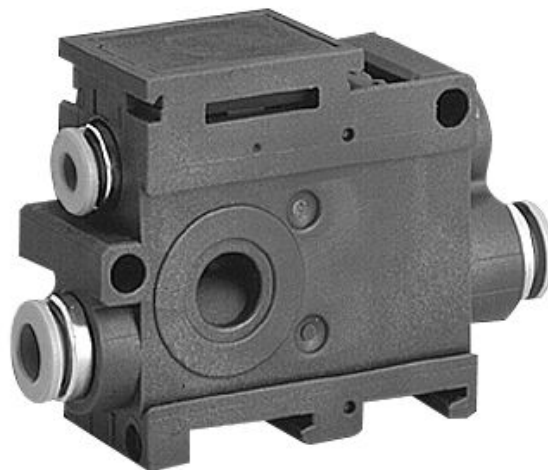
3/2-directional valve, Series 589

2023-11-28

5894400000

Series 579, 589

Qn = [[520 ... 850] l/min]



Technical data

| | |
|-------------------|-----------------|
| Industry | Industrial |
| Activation | Pneumatically |
| Valve type | Poppet valve |
| Valve function | NC |
| Sealing principle | Soft seal |
| Connection type | Pipe connection |

| | |
|---------------------------------------|-------|
| Compressed air connection input | Ø 6x1 |
| Compressed air connection output | Ø 6x1 |
| Compressed air connection, exhaust | Ø 8x1 |
| Compressed air connection pilot input | Ø 4 |

Nominal flow Qn 520 l/min

| | |
|--------------------------|--------------|
| Min. working pressure | 0.5 bar |
| Max. working pressure | 8 bar |
| Min. control pressure | 3 bar |
| Blocking principle | Single valve |
| Min. ambient temperature | -15 °C |

3/2-directional valve, Series 589

2023-11-28

5894400000

| | |
|------------------------------------|---------------------|
| Max. ambient temperature | 60 °C |
| Min. medium temperature | -15 °C |
| Max. medium temperature | 60 °C |
| Medium | Compressed air |
| Min. oil content of compressed air | 0 mg/m ³ |
| Max. oil content of compressed air | 1 mg/m ³ |
| Max. particle size | 5 µm |
| Weight | 0.066 kg |

Material

| | |
|------------------|--------------------------------|
| Housing material | Polyamide |
| Seal material | Acrylonitrile butadiene rubber |
| Part No. | 5894400000 |

Technical information

At an ambient temperature of [[40] °C] the max. working pressure is [[10] bar].

vacuum operation possible: connection 1 at least [[3] bar], connection 3 at least -[[0.95] bar]

The min. control pressure must be adhered to, since otherwise faulty switching and valve failure may result!

The pressure dew point must be at least 15 °C less than ambient and medium temperature and may not exceed 3 °C.

The oil content of compressed air must remain constant during the life cycle.

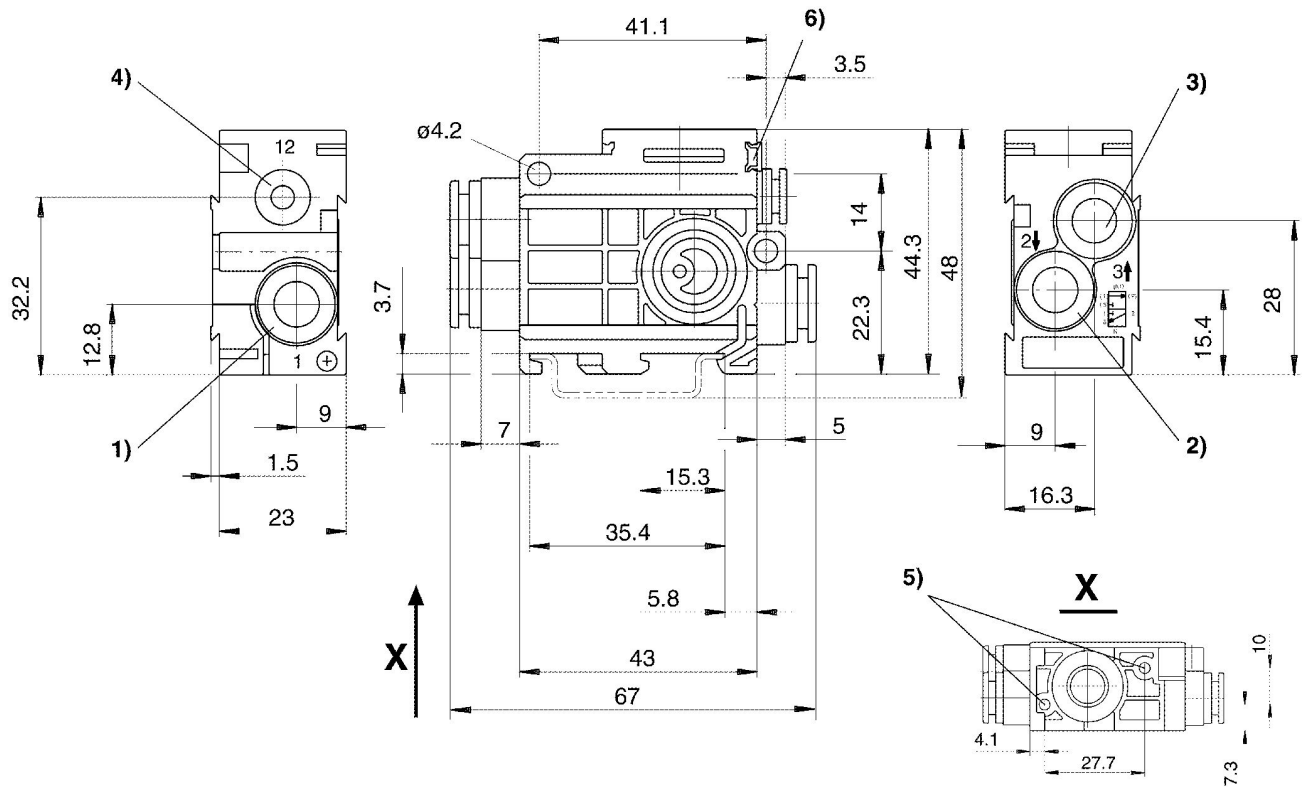
Use only the approved oils from AVENTICS. Further information can be found in the "Technical information" document (available in <https://www.emerson.com/en-us/support>).

3/2-directional valve, Series 589

2023-11-28

5894400000

Dimensions



1) port 1 2) port 2 3) port 3 4) port 12 5) pocket hole 6 mm deep for 3.5 self-tapping screw 6) mounting space for name plate