

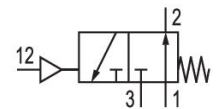
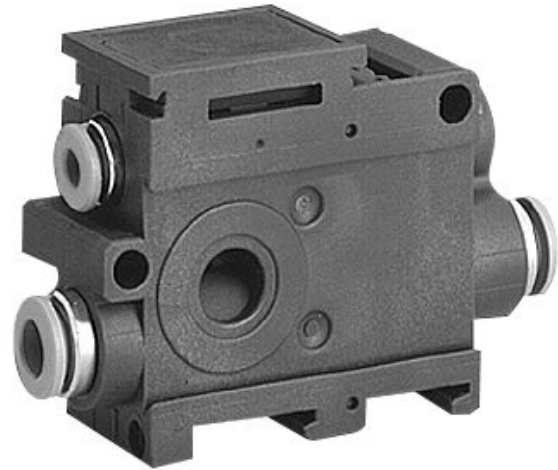
3/2-directional valve, Series 589

2023-11-28

5894600010

Series 579, 589

Qn = [[520 ... 850] l/min]



Technical data

Industry	Industrial
Activation	Pneumatically
Valve type	Poppet valve
Valve function	NO
Sealing principle	Soft seal
Connection type	Pipe connection

Compressed air connection input	Ø 8x1
Compressed air connection output	Ø 8x1
Compressed air connection, exhaust	Ø 8x1
Compressed air connection pilot input	Ø 4

Nominal flow Qn 750 l/min

Min. working pressure	0.5 bar
Max. working pressure	8 bar
Min. control pressure	3 bar
Blocking principle	Single valve
Min. ambient temperature	-15 °C

3/2-directional valve, Series 589

2023-11-28

5894600010

Max. ambient temperature	60 °C
Min. medium temperature	-15 °C
Max. medium temperature	60 °C
Medium	Compressed air
Min. oil content of compressed air	0 mg/m ³
Max. oil content of compressed air	1 mg/m ³
Max. particle size	5 µm
Weight	0.128 kg

Material

Housing material	Polyamide
Seal material	Acrylonitrile butadiene rubber
Part No.	5894600010

Technical information

At an ambient temperature of [[40] °C] the max. working pressure is [[10] bar].

vacuum operation possible: connection 1 at least [[3] bar], connection 3 at least -[[0.95] bar]

The min. control pressure must be adhered to, since otherwise faulty switching and valve failure may result!

The pressure dew point must be at least 15 °C less than ambient and medium temperature and may not exceed 3 °C.

The oil content of compressed air must remain constant during the life cycle.

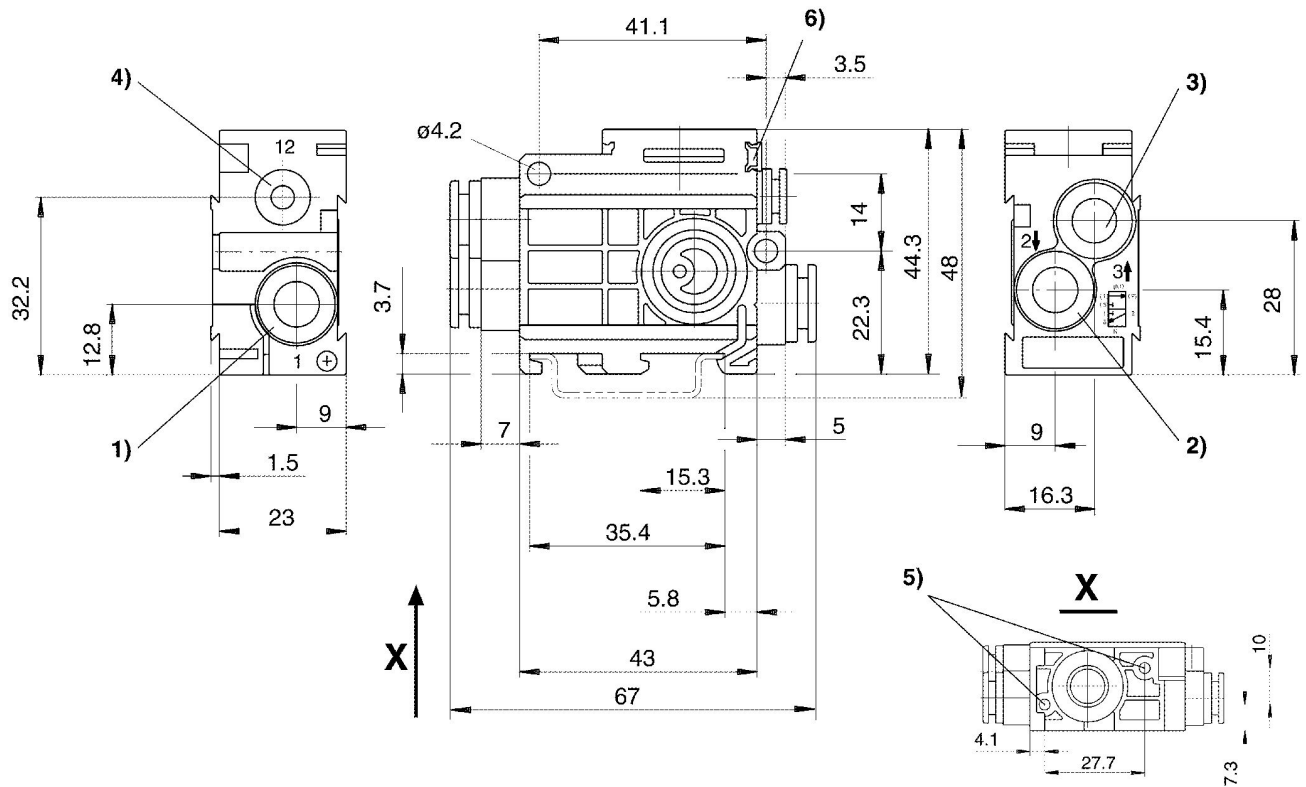
Use only the approved oils from AVENTICS. Further information can be found in the "Technical information" document (available in <https://www.emerson.com/en-us/support>).

3/2-directional valve, Series 589

2023-11-28

5894600010

Dimensions



1) port 1 2) port 2 3) port 3 4) port 12 5) pocket hole 6 mm deep for 3.5 self-tapping screw 6) mounting space for name plate