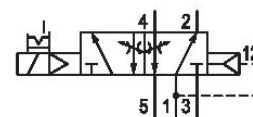


AVENTICS Series 740 Directional valves

The AVENTICS Series 740/840 feature directional valves with soft, abrasion-free diaphragm technology. The simple, reliable and robust design is suitable for all air qualities and ensures high repeatability and unsurpassed service life. Due to its high resilience, the corrosion-resistant polyamide housing is also suited for dusty and damp environments.



Technical data

| | |
|------------------------------------|-------------------------------|
| Industry | Industrial |
| Activation | Electrically |
| Valve type | Diaphragm poppet valve |
| Switching principle | 5/2, with air spring return |
| Actuating control | Single Solenoid |
| Sealing principle | Soft seal |
| Connection type | Pipe connection |
| Manual override | with detent without detent |
| Compressed air connection input | 3/8" |
| Compressed air connection output | 3/8" |
| Compressed air connection, exhaust | M14x1 |
| Nominal flow Qn | 700 l/min |
| Min. working pressure | 1.5 bar |
| Max. working pressure | 10 bar |

R432038419

| | |
|----------------------------------|-------------------------------------|
| Electrical connection type | Plug |
| Electrical connection size | EN 175301-803, form A |
| Connector standard | EN 175301-803:2006 |
| Protection class with connection | IP65 |
| Reverse polarity protection | Protected against polarity reversal |
| Operational voltage | 110 V AC |
| Operational voltage AC at 50 Hz | 110 V |
| Voltage tolerance AC 50 Hz | -10% / +10% |
| Operational voltage AC at 60 Hz | 110 V |
| Voltage tolerance AC 60 Hz | -10% / +10% |

| | |
|--------------------------|----------|
| Pilot | Internal |
| Coil width | 30 mm |
| Compatibility index | 14 |
| Holding power AC 50 Hz | 4.8 VA |
| Holding power AC 60 Hz | 3.6 VA |
| Switch-on power AC 50 Hz | 8 VA |
| Switch-on power AC 60 Hz | 6.5 VA |

| | |
|----------------------|-------|
| Duty cycle | 100 % |
| Typ. switch-on time | 17 ms |
| Typ. switch-off time | 24 ms |

| | |
|------------------------------------|--------------------------------|
| Blocking principle | Plate principle |
| | Single base plate principle |
| Can be assembled into blocks | Can be assembled into blocks |
| Temperature resistance | -25 °C cold-resistant |
| Valve plug connector | Without valve plug connector |
| Throttle | with throttle |
| Certificates | UL (Underwriters Laboratories) |
| Min. ambient temperature | -25 °C |
| Max. ambient temperature | 50 °C |
| Min. medium temperature | -25 °C |
| Max. medium temperature | 50 °C |
| Medium | Compressed air |
| Min. oil content of compressed air | 0 mg/m ³ |
| Max. oil content of compressed air | 5 mg/m ³ |
| Max. particle size | 50 µm |

| | |
|----------------------------|-----------|
| Mounting on manifold strip | PRS strip |
|----------------------------|-----------|

5/2-directional valve, Series 740-UL

2023-11-27

R432038419

Weight 0.317 kg

Material

| | |
|------------------|--------------------------------|
| Housing material | Polyoxymethylene |
| Seal material | Acrylonitrile butadiene rubber |
| Part No. | R432038419 |

Technical information

UL recognized solenoid coils with cURus mark

The min. control pressure must be adhered to, since otherwise faulty switching and valve failure may result!

The pressure dew point must be at least 15 °C less than ambient and medium temperature and may not exceed 3 °C.

The oil content of compressed air must remain constant during the life cycle.

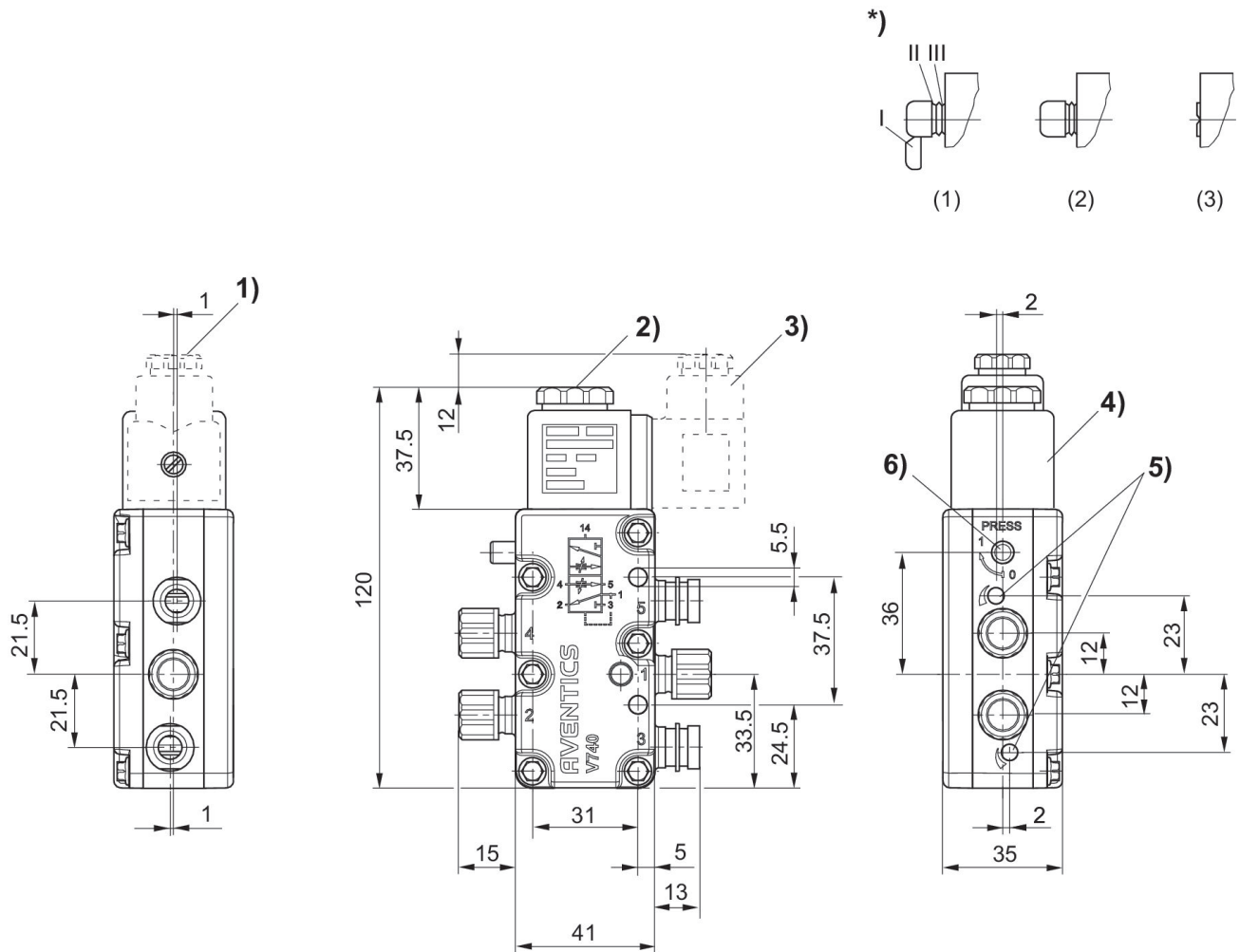
Use only the approved oils from AVENTICS. Further information can be found in the "Technical information" document (available in <https://www.emerson.com/en-us/support>).

5/2-directional valve, Series 740-UL

2023-11-27

R432038419

Dimensions



1) Gland fitting M16x1.5

2) M5 internal thread accessible under cap

3) Valve plug connector can be rotated at 90° intervals

(not included in scope of delivery) 4) Coil can be plugged at 45° intervals

5) Flow control screw for exhausts 5 (R) and 3 (S)

6) Manual override and position indicator

*) Manual override:

Manual actuation: (1) with detent - push and turn into position 1 (2) without detent - remove segment I - push only

Actuation with tool: (3) with detent - remove segments up to II - push with tool and turn into position 1