

## AVENTICS Series 740 Directional valves

The AVENTICS Series 740/840 feature directional valves with soft, abrasion-free diaphragm technology. The simple, reliable and robust design is suitable for all air qualities and ensures high repeatability and unsurpassed service life. Due to its high resilience, the corrosion-resistant polyamide housing is also suited for dusty and damp environments.



## Technical data

Industry	Industrial
Activation	Electrically
Valve type	Diaphragm poppet valve
Switching principle	5/2, with air spring return
Sealing principle	Soft seal
Connection type	Pipe connection
Manual override	with detent without detent
Compressed air connection input	3/8"
Compressed air connection output	3/8"
Compressed air connection, exhaust	M14x1
Min. working pressure	2 bar
Max. working pressure	10 bar
Electrical connection type	Plug
Electrical connection size	EN 175301-803, form B

# 5/2-directional valve, Series 740-CP

2023-11-27

R432015592

---

Electrical connection number of poles	3-pin
Connector standard	EN 175301-803:2006
Protection class with connection	IP65
Reverse polarity protection	Protected against polarity reversal
Operational voltage	12 V DC
Operational voltage DC	12 V
Voltage tolerance DC	-10% / +10%

Pilot	Internal
Coil width	30 mm
Compatibility index	14
Power consumption DC	2.7 W

Duty cycle	100 %
Typ. switch-on time	16 ms
Typ. switch-off time	36 ms

Blocking principle	Plate principle Single base plate principle
Can be assembled into blocks	Can be assembled into blocks
Corrosion resistance	corrosion-protected
Valve plug connector	Without valve plug connector
Throttle	with throttle
Min. ambient temperature	-15 °C
Max. ambient temperature	50 °C
Min. medium temperature	-15 °C
Max. medium temperature	50 °C
Medium	Compressed air
Min. oil content of compressed air	0 mg/m <sup>3</sup>
Max. oil content of compressed air	5 mg/m <sup>3</sup>
Max. particle size	50 µm

Mounting on manifold strip	PRS strip
Weight	0.326 kg

## Material

Housing material	Polyoxymethylene
Seal material	Acrylonitrile butadiene rubber
Material front plate	Polyarylamide

# 5/2-directional valve, Series 740-CP

2023-11-27

R432015592

Part No.

R432015592

## Technical information

ATEX optional: ATEX version can be produced by combining the basic valve without coil with an ATEX coil. ATEX ID: see ATEX coils catalog page.

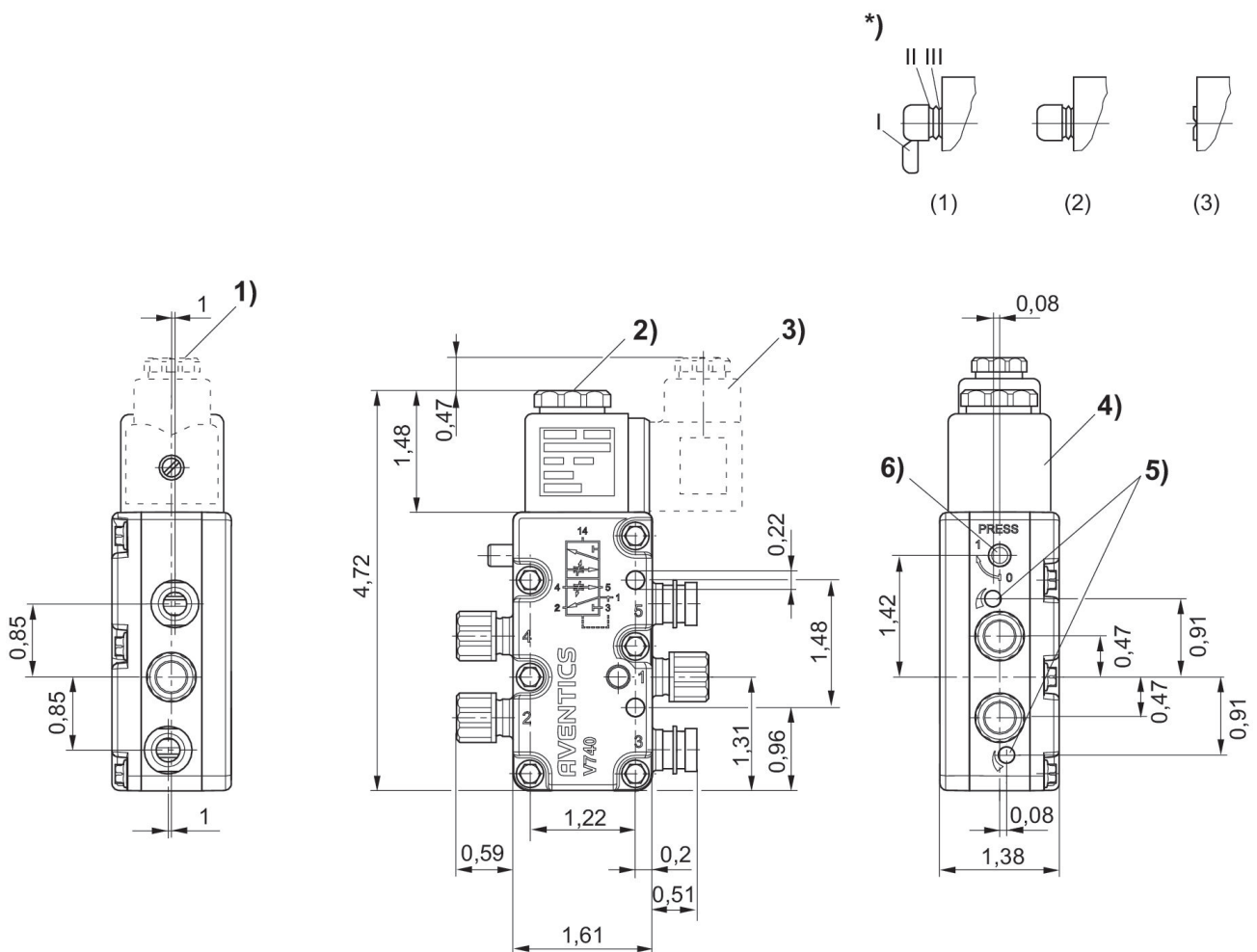
The min. control pressure must be adhered to, since otherwise faulty switching and valve failure may result!

The pressure dew point must be at least 15 °C less than ambient and medium temperature and may not exceed 3 °C.

The oil content of compressed air must remain constant during the life cycle.

Use only the approved oils from AVENTICS. Further information can be found in the "Technical information" document (available in <https://www.emerson.com/en-us/support>).

## Dimensions in inches



1) Gland fitting M16x1.5

# 5/2-directional valve, Series 740-CP

2023-11-27

R432015592

---

- 2) M5 internal thread accessible under cap
- 3) Valve plug connector can be rotated at 90° intervals
- 4) Coil can be plugged at 45° intervals
- 5) Flow control screw for exhausts 5 (R) and 3 (S)
- 6) Manual override and position indicator

\*): Manual override:

Manual actuation: (1) with detent - push and turn into position 1 (2) without detent - remove segment I - push only

Actuation with tool: (3) with detent - remove segments up to II - push with tool and turn into position 1