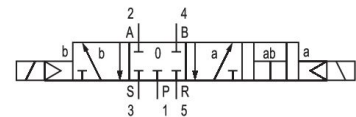


AVENTICS Series 740 Directional valves

The AVENTICS Series 740/840 feature directional valves with soft, abrasion-free diaphragm technology. The simple, reliable and robust design is suitable for all air qualities and ensures high repeatability and unsurpassed service life. Due to its high resilience, the corrosion-resistant polyamide housing is also suited for dusty and damp environments.



Technical data

| | |
|------------------------------------|---|
| Industry | Industrial |
| Activation | Electrically |
| Note | 4th switching position (coil a and b = actuated) ATEX optional |
| Valve type | Diaphragm poppet valve |
| Switching principle | 5/4, closed center |
| Valve function | Closed Center |
| Sealing principle | Soft seal |
| Connection type | Pipe connection |
| Manual override | without detent |
| Compressed air connection input | Ø 10x1 |
| Compressed air connection output | Ø 10x1 |
| Compressed air connection, exhaust | M14x1 |
| Nominal flow Q _n | 950 l/min |
| Min. working pressure | 3 bar |
| Max. working pressure | 10 bar |

5/4-directional valve, Series 740

Series 740

5727550220

2024-05-08

| | |
|----------------------------------|-------------------------------------|
| Electrical connection type | Plug |
| Electrical connection size | EN 175301-803, form A |
| Connector standard | EN 175301-803:2006 |
| Protection class with connection | IP65 |
| Reverse polarity protection | Protected against polarity reversal |
| Operational voltage | 24 V DC |
| Operational voltage DC | 24 V |
| Voltage tolerance DC | -10% / +10% |

| | |
|----------------------|----------|
| Pilot | Internal |
| Coil width | 30 mm |
| Compatibility index | 13 14 |
| Power consumption DC | 2.1 W |

| | |
|----------------------|-------|
| Duty cycle | 100 % |
| Typ. switch-on time | 20 ms |
| Typ. switch-off time | 54 ms |

| | |
|------------------------------------|--|
| Blocking principle | Plate principle Single base plate principle |
| Can be assembled into blocks | Can be assembled into blocks |
| Valve plug connector | With valve plug connector |
| Min. ambient temperature | -15 °C |
| Max. ambient temperature | 50 °C |
| Min. medium temperature | -15 °C |
| Max. medium temperature | 50 °C |
| Medium | Compressed air |
| Min. oil content of compressed air | 0 mg/m ³ |
| Max. oil content of compressed air | 5 mg/m ³ |
| Max. particle size | 50 µm |

| | |
|----------------------------|-----------|
| Mounting on manifold strip | PRS strip |
| Weight | 0.547 kg |

Material

| | |
|------------------|--------------------------------|
| Housing material | Polyoxymethylene |
| Seal material | Acrylonitrile butadiene rubber |

Part No.

5727550220

Technical information

ATEX optional: ATEX version can be produced by combining the basic valve without coil with an ATEX coil. ATEX ID: see ATEX coils catalog page.

NOTE: In order to ensure the operating function of the valve, do not fall below the minimum operating pressure of 3 bar!

The min. control pressure must be adhered to, since otherwise faulty switching and valve failure may result!

The pressure dew point must be at least 15 °C less than ambient and medium temperature and may not exceed 3 °C.

The oil content of compressed air must remain constant during the life cycle.

Use only the approved oils from AVENTICS. Further information can be found in the "Technical information" document (available in <https://www.emerson.com/en-us/support>).

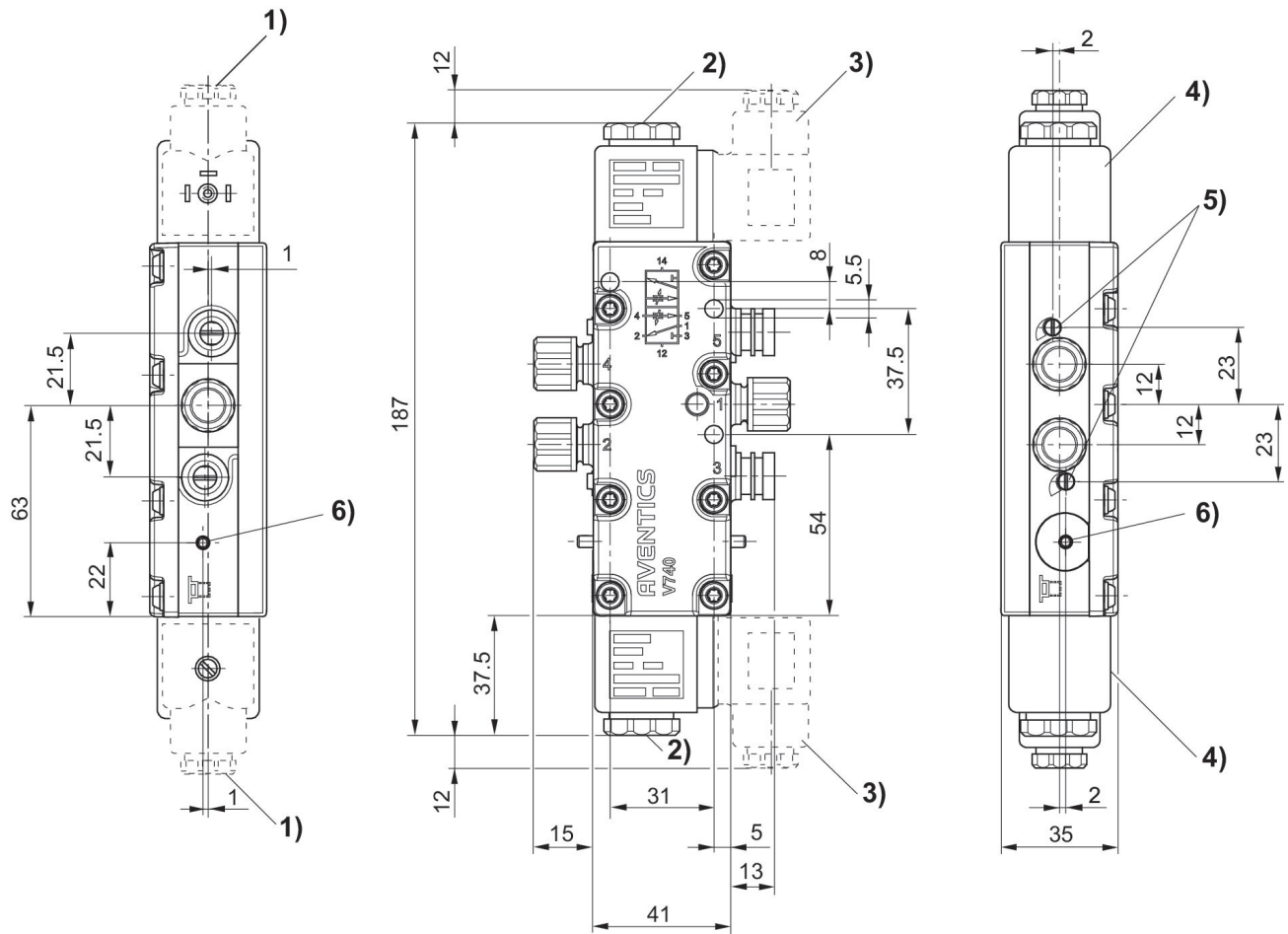
5/4-directional valve, Series 740

5727550220

Series 740

2024-05-08

Dimensions



1) gland fitting M16x1,5 2) M5 internal thread accessible under cap 3) el. connector can be fixed at 90° intervals 4) coil can be mounted at 45° intervals 5) throttle screw for exhausts 5 (R) and 3 (S) 6) manual override and position indicator