

Elbow distributor

1823391093

AVENTICS
Distributors
and
distributor
strips

AVENTICS Distributors and distributor strips



Technical data

Industry	Industrial
Type	Distributor 2x
Port G	G 1/8
Working pressure min.	0 bar
Working pressure max	16 bar
Min. ambient temperature	-10 °C
Max. ambient temperature	70 °C
Delivery unit	10 piece
Weight	0.01 kg

Material

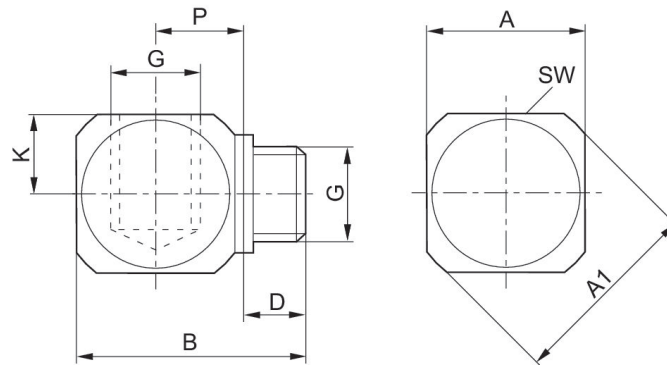
Housing material	Aluminum
Surface housing	anodized
Seal material	Polyvinyl chloride
Surface seals	hard
Part No.	1823391093

Elbow distributor

1823391093

AVENTICS
Distributors
and
distributor
strips

Dimensions



Part No.	G	A	A1	B	D	K	P	SW
1823391092	M5	10	12.5	15	5	7	4.5	10
1823391093	G 1/8	15	20	24	7	11	8	15
1823391094	G 1/4	22	28.5	30	10	16	10	22
1823391095	G 3/8	27	35	33	10	21	11.5	27
1823391384	G 1/2	36	46	41.5	12	30	15	36