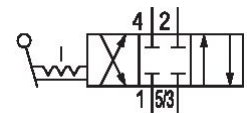
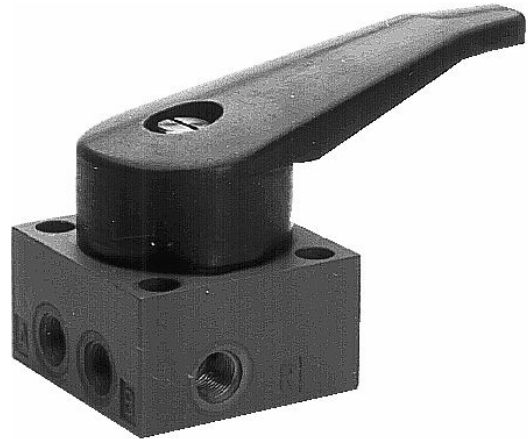


5630182100

AVENTICS Series 563/018/131 Directional valves

The AVENTICS Series 563 018/131 are manually operated poppet valves with a flow rate of 300 l/min (Series 563 018) and 1100 l/min (Series 563 131). With their simple and robust design they are always ready for applications and easy to operate even with work gloves.



Technical data

| | |
|------------------------------------|-------------------------|
| Industry | Industrial |
| Activation | Mechanical |
| Valve type | Poppet valve |
| Valve function | Closed Center |
| Actuating control | Single Solenoid |
| Plate connection | Pipe connection |
| Actuating element | Hand lever, with detent |
| Sealing principle | Soft seal |
| Lock type | not lockable |
| Compressed air connection type | Internal thread |
| Compressed air connection input | G 1/8 |
| Compressed air connection output | G 1/8 |
| Compressed air connection, exhaust | G 1/8 |
| Nominal flow Qn | 300 l/min |
| Min. working pressure | 0 bar |
| Max. working pressure | 10 bar |
| Min. ambient temperature | -25 °C |
| Max. ambient temperature | 80 °C |

4/3-directional valve, Series 563 018

2023-11-13

5630182100

| | |
|------------------------------------|---------------------|
| Min. medium temperature | -25 °C |
| Max. medium temperature | 80 °C |
| Medium | Compressed air |
| Min. oil content of compressed air | 0 mg/m ³ |
| Max. oil content of compressed air | 5 mg/m ³ |
| Max. particle size | 50 µm |
| | |
| Weight | 0.24 kg |

Material

| | |
|----------------------------|--------------------------------|
| Housing material | Die cast zinc |
| Seal material | Acrylonitrile butadiene rubber |
| Material actuating control | Polyarylamide |
| Part No. | 5630182100 |

Technical information

The min. control pressure must be adhered to, since otherwise faulty switching and valve failure may result!

The pressure dew point must be at least 15 °C less than ambient and medium temperature and may not exceed 3 °C.

The oil content of compressed air must remain constant during the life cycle.

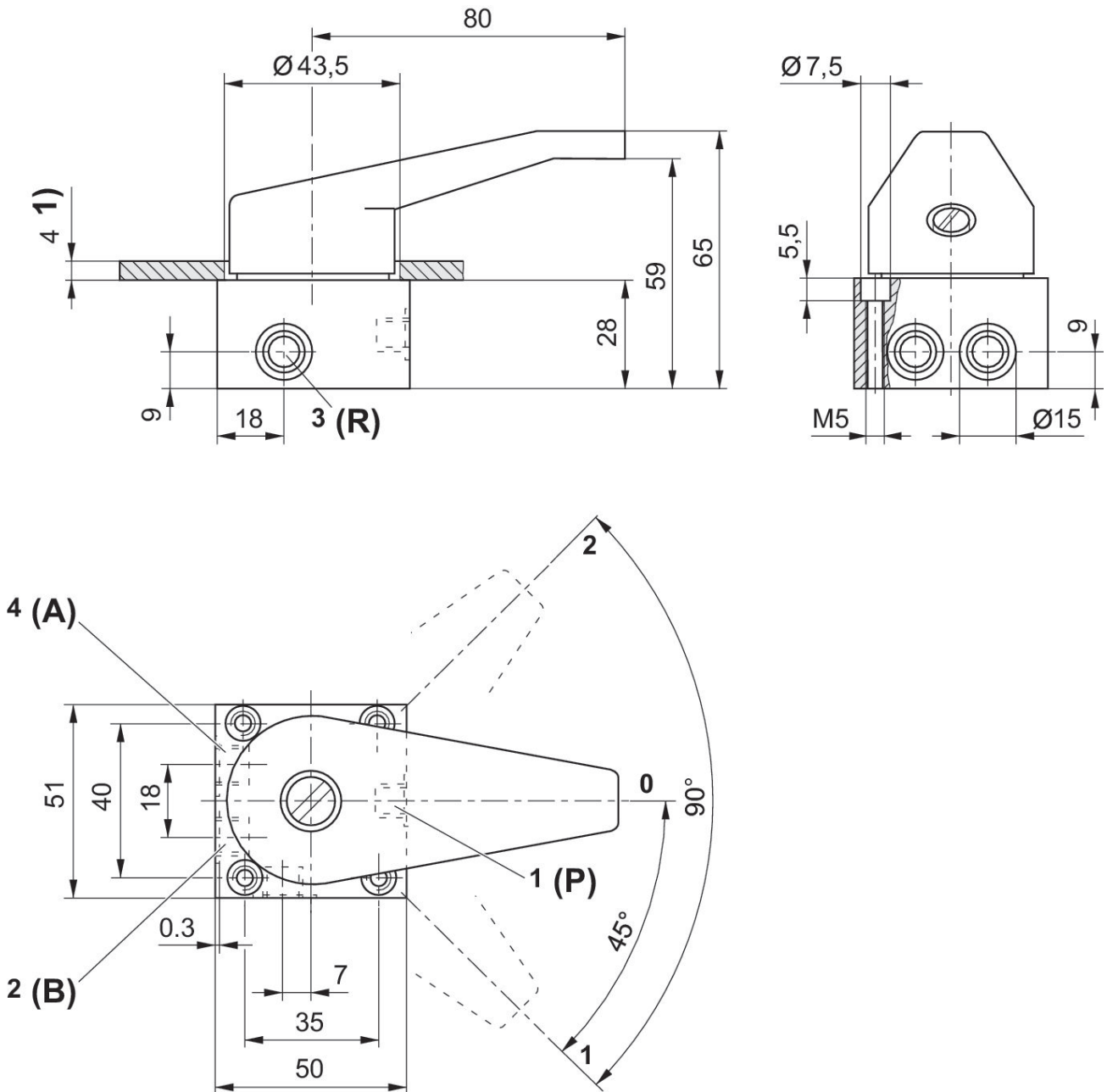
Use only the approved oils from AVENTICS. Further information can be found in the "Technical information" document (available in <https://www.emerson.com/en-us/support>).

4/3-directional valve, Series 563 018

2023-11-13

5630182100

Dimensions



1) Max.

item 0 (5630181100): port 2, 4 # 3 item 0 (5630182100): closed center item I: port 1 # port 2, port 4 # port 3 item II: port 1 # port 4, port 2 # port 3