

2/2-directional valve, Series AP

0820404023

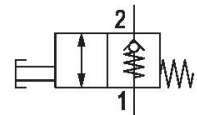
Series AP

2024-12-04

- Light and robust valves
- Various mechanical actuating controls
- panel installation

Series AP Directional valves

The AVENTICS Series AP offers a wide range of poppet valves with aluminium housing. With many actuation control versions available (roller, lever, pedal, push-button or plunger) the AP Series is the universal solution for automation systems and panel installation.



Technical data

Industry	Industrial
Activation	Mechanical
Valve type	Poppet valve
Plate connection	Pipe connection
Actuating element	Push button
Compressed air connection type	Internal thread
Compressed air connection input	G 1/8
Compressed air connection output	G 1/8
Nominal flow Qn	350 l/min
Min. working pressure	0 bar
Max. working pressure	10 bar
Min. ambient temperature	-30 °C
Max. ambient temperature	80 °C
Min. medium temperature	-30 °C
Max. medium temperature	80 °C
Medium	Compressed air
Min. oil content of compressed air	0 mg/m ³
Max. oil content of compressed air	5 mg/m ³

2/2-directional valve, Series AP

0820404023

Series AP

2024-12-04

Max. particle size 5 μm

Weight 0.075 kg

Material

Housing material	Aluminum
Seal material	Acrylonitrile butadiene rubber
Material actuating control	Polyamide
Part No.	0820404023

Technical information

The min. control pressure must be adhered to, since otherwise faulty switching and valve failure may result!

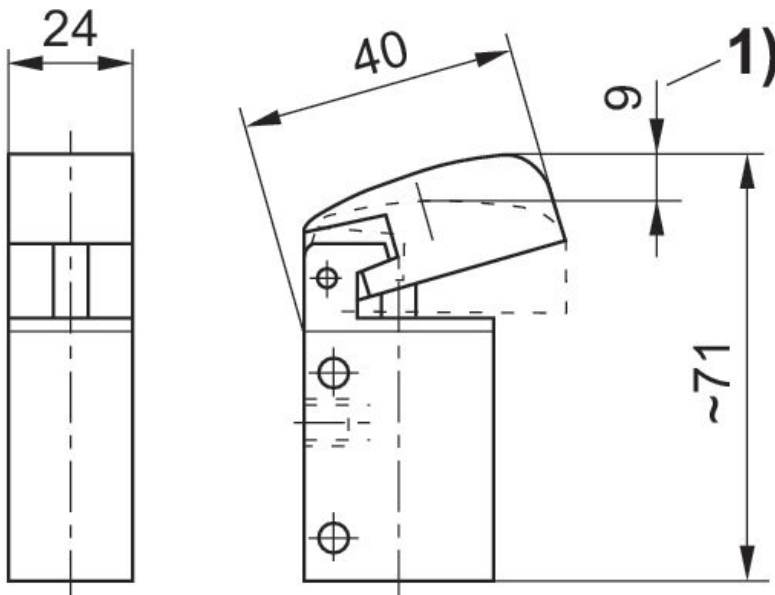
The pressure dew point must be at least 15 °C less than ambient and medium temperature and may not exceed 3 °C.

The oil content of compressed air must remain constant during the life cycle.

Use only the approved oils from AVENTICS. Further information can be found in the "Technical information" document (available in <https://www.emerson.com/en-us/support>).

Nominal flow Q_n at 6 bar and $\Delta p = 1$ bar

Dimensions in mm



1) Actuating stroke

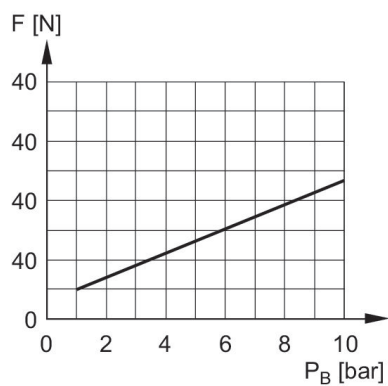
2/2-directional valve, Series AP

0820404023

Series AP

2024-12-04

Actuating force+



F = actuating force
 P_B = Working pressure