

3/2-directional valve, Series AP

0820408004

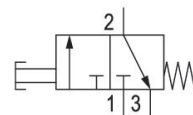
Series AP

2024-12-04

- Light and robust valves
- Various mechanical actuating controls
- panel installation

Series AP Directional valves

The AVENTICS Series AP offers a wide range of poppet valves with aluminium housing. With many actuation control versions available (roller, lever, pedal, push-button or plunger) the AP Series is the universal solution for automation systems and panel installation.



Technical data

| | |
|------------------------------------|---------------------|
| Industry | Industrial |
| Activation | Mechanical |
| Valve type | Poppet valve |
| Plate connection | Pipe connection |
| Actuating element | Push button |
| Compressed air connection type | Internal thread |
| Compressed air connection input | M5 |
| Compressed air connection output | M5 |
| Nominal flow Qn 1 to 2 | 190 l/min |
| Nominal flow Qn 2 to 3 | 150 l/min |
| Min. working pressure | 0 bar |
| Max. working pressure | 10 bar |
| Min. ambient temperature | -30 °C |
| Max. ambient temperature | 80 °C |
| Min. medium temperature | -30 °C |
| Max. medium temperature | 80 °C |
| Medium | Compressed air |
| Min. oil content of compressed air | 0 mg/m ³ |

3/2-directional valve, Series AP

0820408004

Series AP

2024-12-04

Max. oil content of compressed air 5 mg/m³
Max. particle size 5 μm

Weight 0.05 kg

Material

Housing material Aluminum
Seal material Acrylonitrile butadiene rubber
Part No. 0820408004

Technical information

The min. control pressure must be adhered to, since otherwise faulty switching and valve failure may result!

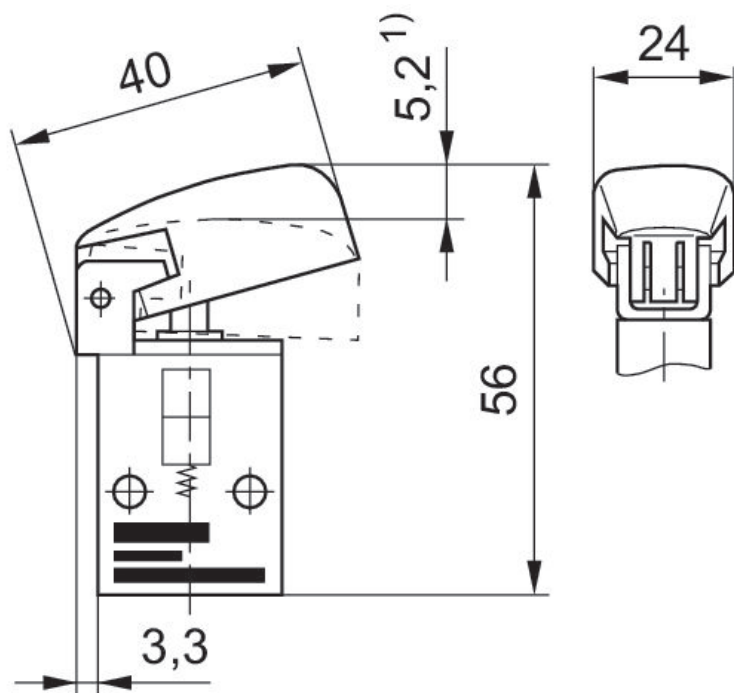
The pressure dew point must be at least 15 °C less than ambient and medium temperature and may not exceed 3 °C.

The oil content of compressed air must remain constant during the life cycle.

Use only the approved oils from AVENTICS. Further information can be found in the "Technical information" document (available in <https://www.emerson.com/en-us/support>).

Nominal flow Qn at 6 bar and Δp = 1 bar

Dimensions in mm



1) Actuating stroke

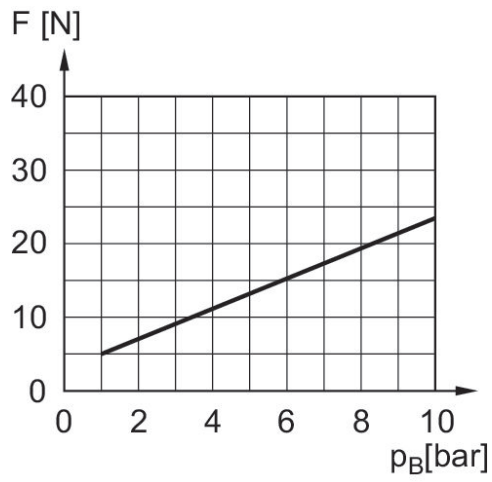
3/2-directional valve, Series AP

0820408004

Series AP

2024-12-04

Actuating force+



F = actuating force
P_B = Working pressure