

4/2-directional valve, Series AP

0820401005

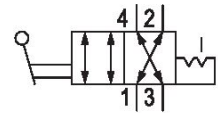
Series AP

2024-12-04

- Light and robust valves
- Various mechanical actuating controls
- panel installation

Series AP Directional valves

The AVENTICS Series AP offers a wide range of poppet valves with aluminium housing. With many actuation control versions available (roller, lever, pedal, push-button or plunger) the AP Series is the universal solution for automation systems and panel installation.



Technical data

Industry	Industrial
Activation	Mechanical
Valve type	Poppet valve
Plate connection	Pipe connection
Actuating element	Lever
Compressed air connection type	Internal thread
Compressed air connection input	G 1/4
Compressed air connection output	G 1/4
Compressed air connection, exhaust	G 1/4
Nominal flow Qn	550 l/min
Min. working pressure	0 bar
Max. working pressure	10 bar
Min. ambient temperature	-30 °C
Max. ambient temperature	80 °C
Min. medium temperature	-30 °C
Max. medium temperature	80 °C
Medium	Compressed air
Min. oil content of compressed air	0 mg/m ³

4/2-directional valve, Series AP

Series AP

0820401005

2024-12-04

Max. oil content of compressed air 5 mg/m³
Max. particle size 5 μm

Weight 0.53 kg

Material

Housing material Aluminum
Seal material Acrylonitrile butadiene rubber
Material actuating control Steel, chrome-plated
Polyamide
Part No. 0820401005

Technical information

The min. control pressure must be adhered to, since otherwise faulty switching and valve failure may result!

The pressure dew point must be at least 15 °C less than ambient and medium temperature and may not exceed 3 °C.

The oil content of compressed air must remain constant during the life cycle.

Use only the approved oils from AVENTICS. Further information can be found in the "Technical information" document (available in <https://www.emerson.com/en-us/support>).

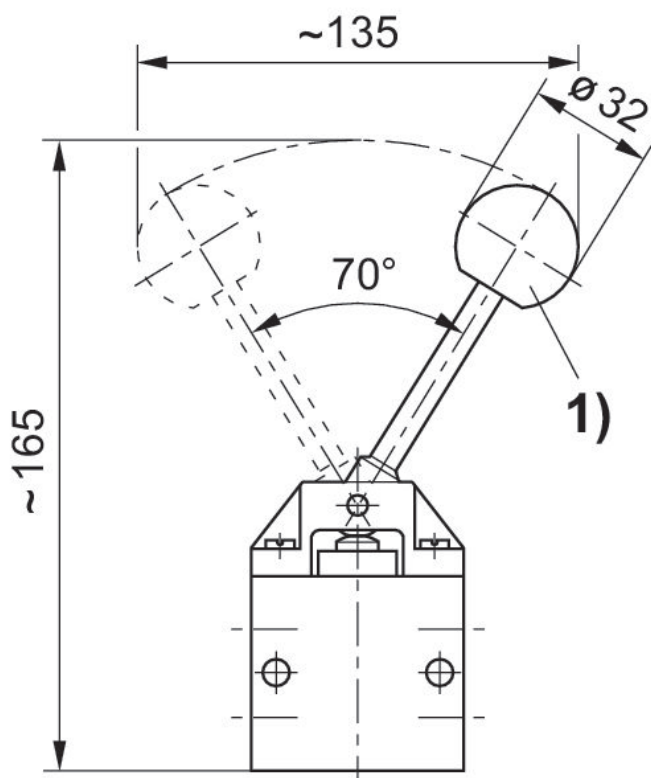
4/2-directional valve, Series AP

0820401005

Series AP

2024-12-04

Dimensions in mm



actuating torque: 40 Ncm

1) Ball

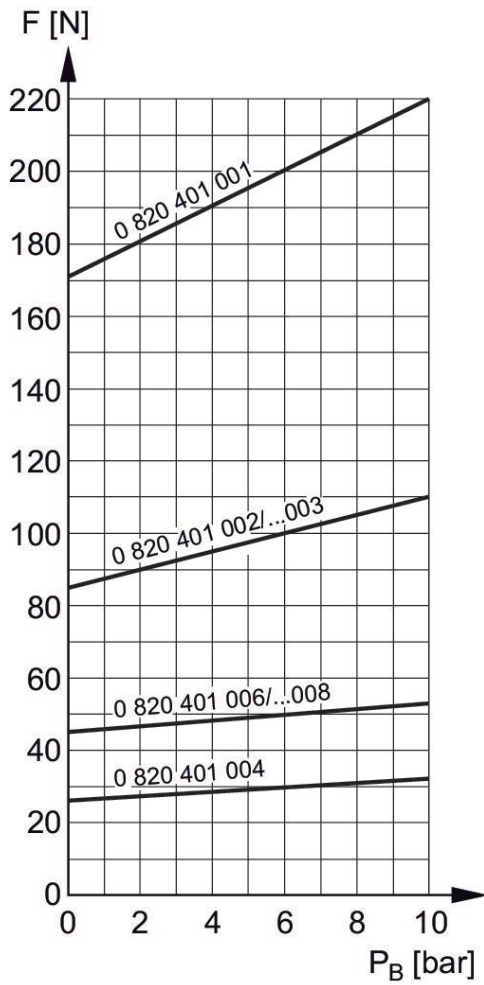
4/2-directional valve, Series AP

0820401005

Series AP

2024-12-04

Actuating force+



F = actuating force
 P_B = Working pressure