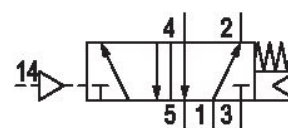


5/2-directional valve, Series WV02

0820238001

Series WV02

- $[[Q_n =]][[250 \dots 500] \text{ l/min}]$



Technical data

Industry
Industrial

Activation
Pneumatically

Nominal flow Q_n
500 l/min

Switching principle
5/2

Return type
with spring/air spring return

Actuating control
Single Solenoid

Compressed air connection output
G 1/8

Connection type
Pipe connection

Working pressure min.
2 bar

Working pressure max
10 bar

Sealing principle
Soft Seal

Valve type
Spool valve, positive overlapping

Pilot
External

Control pressure max.
10 bar

Min. ambient temperature
0 °C

Max. ambient temperature
80 °C

Min. medium temperature
0 °C

Max. medium temperature
80 °C

Medium Compressed air	Mounting on manifold strip PRS strip
Max. particle size 5 µm	Mounting screw M3
Oil content of compressed air min. 0 mg/m ³	Weight 0.08 kg
Oil content of compressed air max. 5 mg/m ³	
Housing material Aluminum	Material, front cover Polyamide
Surface housing anodized	Material threaded bushing Aluminum
Seal material Acrylonitrile butadiene rubber Hydrogenated nitrile butadiene rubber	Part No. 0820238001

Technical information

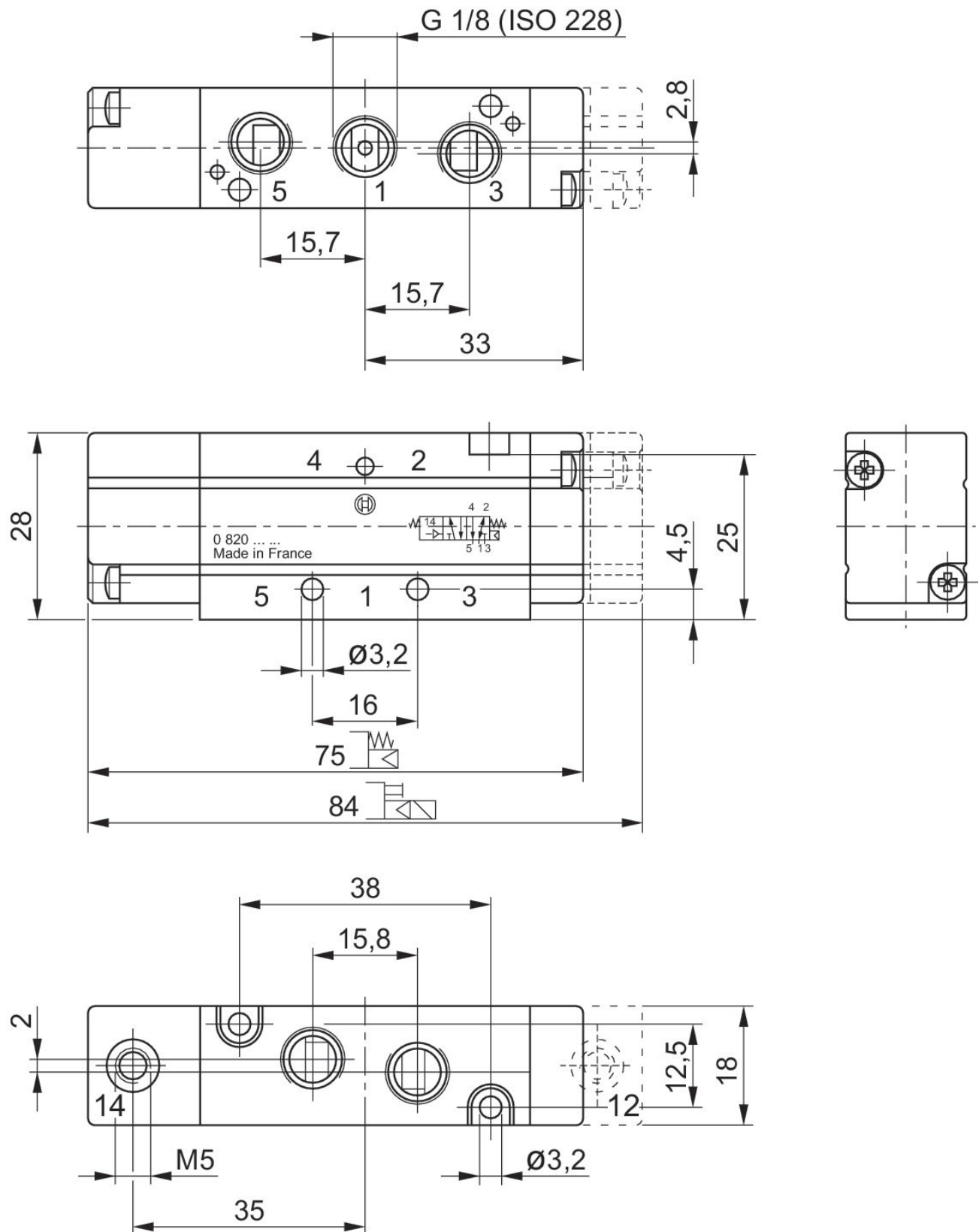
The min. control pressure must be adhered to, since otherwise faulty switching and valve failure may result!

The pressure dew point must be at least 15 °C under ambient and medium temperature and may not exceed 3 °C .

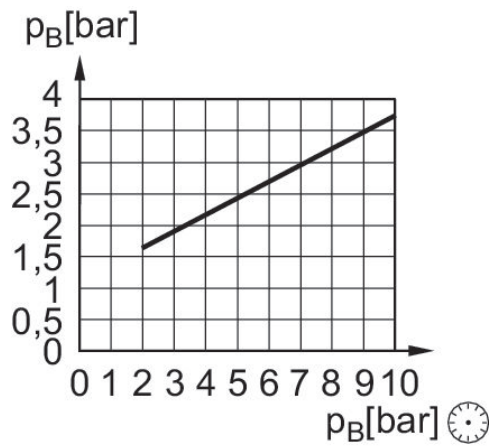
The oil content of compressed air must remain constant during the life cycle.

Use only the approved oils from AVENTICS. Further information can be found in the “Technical information” document (available in <https://www.emerson.com/en-us/support>).

Dimensions



Control pressure



p_e = external control pressure, min.
 p_B = Working pressure