

- $Q_n = 32 \text{ l/min} \dots 5600 \text{ l/min}$

AVENTICS Series CC01 Check-choke valves

The AVENTICS Series CC check-choke valves are designed for nominal flows from 32 to 5,600 l/min. The different versions are available with a push-in fitting or internal thread.



Technical data

Industry	Industrial
Port 1	M5
Port 2	M5
direction of throttle	1 > 2 2 > 1
Nominal flow Q_n 1 to 2	130 l/min
Compressed air connection type 1	Internal thread
Compressed air connection type 2	Internal thread
Medium	Compressed air
Min. working pressure	0.5 bar
Max. working pressure	10 bar
Min. ambient temperature	0 °C
Max. ambient temperature	60 °C
Min. medium temperature	0 °C
Max. medium temperature	60 °C
Weight	0.05 kg

Material

Housing material	Aluminum
------------------	----------

Surface housing	anodized
Seal material	Acrylonitrile butadiene rubber
Part No.	5341120000

Technical information

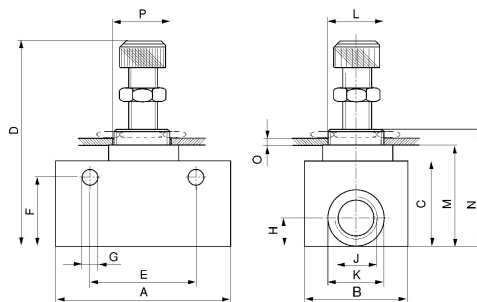
The min. control pressure must be adhered to, since otherwise faulty switching and valve failure may result!

The pressure dew point must be at least 15 °C less than ambient and medium temperature and may not exceed 3 °C.

The oil content of compressed air must remain constant during the life cycle.

Use only the approved oils from AVENTICS. Further information can be found in the “Technical information” document (available in <https://www.emerson.com/en-us/support>).

Dimensions



Part No.	Port G	J	A	B	C	D	E	F	Ø G
5341120000	M5	M5	26	14	16	40–45	18	12.5	4.4
5341121100	G 1/8	G 1/8	32	16	22	44–56	24	18	4.3
5341122100	G 1/4	G 1/4	55	25	32	66–74	35	25	6.4
5341123100	G 3/8	G 3/8	58	30	40	78–93	44	33	6.6
5341124100	G 1/2	G 1/2	68	30	40	77–92	50	33	6.4

Part No.	H	Ø K	L	M	N	O	Ø P
5341120000	6	8.7	M10x1	20	26	2	10.5
5341121100	10	14.4	M12x1	26	33.6	2	12.5
5341122100	12	19.5	M20x1,5	37.8	47.9	3	20.5
5341123100	14	23	M24x1,5	47	57	3	25
5341124100	14	27.5	M24x1,5	47	57	3	25