

Soft-start valve MS-EDE-B

FESTO



Characteristics

At a glance

- Very compact and extremely lightweight series for use close to the process directly in the machine.
- Grid dimension: 40 mm; 62 mm
- With solenoid coil, without plug socket
- Supply voltage: 24 VDC

Diagrams

Link [ms-e-de-b](#)



Product segmentation



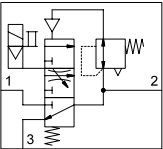
Festo Core Range

Solves the majority of your automation tasks

With the Festo Core Range, we have selected the most important products and functions from our broad product catalogue, and added the quickest delivery. The Core Range offers you the best value with the expected high Festo quality.

- Quickest delivery, worldwide – wherever, whenever
- Expected high Festo quality
- Easy and fast to select

Function



Electrically operated soft-start valve for slowly pressurising and exhausting pneumatic systems.

- The drives move slowly and safely to the initial position
- Sudden and unpredictable movements are avoided
- Adjustable switching time delay
- Detenting and non-detenting manual override

Pneumatic connection

Individual fittings that are fastened via a female thread

Special material properties

[F1A] Recommended for production plants for manufacturing lithium-ion batteries, F1A

Metals with copper, zinc or nickel as the main component are excluded from use. Exceptions are nickel in steels, chemically nickel-plated surfaces, circuit boards, cables, electrical plug connectors and coils

Version

[B] Second generation

Basic component with sturdy and lightweight polymer housing. Fully compatible with the MS series.

Type code

001	Series
MS	MS series

002	Size
4	Grid dimension 40 mm
6	Grid dimension 62 mm

003	Function
EDE	Soft-start valve, electrically actuated

004	Pneumatic connection
1/4	Female thread G1/4
1/2	Female thread G1/2

005	Supply voltage
V24	24 V DC (connection pattern to EN 175301)

006	Special material properties
	None
F1A	Recommended for production plants for manufacturing lithium-ion batteries, F1A

007	Version
B	Second generation

Datasheet

General technical data

Size	4	6
Pneumatic connection, port 1	G1/4	G1/2
Pneumatic connection, port 2	G1/4	G1/2
Pneumatic connection, port 3	G1/4	G1/2
Design	Poppet valve, electrically actuated	
Lap	Underlap	
Type of mounting	Via wall/surface bracket	
Pressure gauge (ANALOG) or Pressure display (DIGITAL)	With pressure sensor with LCD display	
Mounting position	optional	
Valve function	3/2-way, closed, monostable	
Exhaust-air function	Without flow control option	
Manual override	Detenting, Non-detenting	
Type of actuation	Electric	
Type of reset	Mechanical spring	
Type of piloting	Pilot actuated	
Pilot air supply	Internal	
Signal status display	With accessories	
Selection of additional functions	With silencer	

Electrical data

Characteristic coil data	24 V DC: 2.3 W	
Permissible voltage fluctuations	+/- 10%	
Electrical connection	Type C, To EN 175301-803	
Degree of protection	IP65	
Switch-on time	31 ms	

Flow characteristics

Size	4	6
Pneumatic connection, port 1	G1/4	G1/2
Standard nominal flow rate (standardised to DIN 1343) ¹⁾	2,000 l/min	5,000 l/min
Standard nominal flow rate, exhaust 0.6->0 MPa (6->0 bar, 87->0 psi)	1,600 l/min	4,000 l/min
C value	8.52 l/sbar	23.9 l/sbar
b value	0.45	0.46

1) Measured at p1 = 6 bar and p2 = 5 bar, Δp = 1 bar.

Operating and environmental conditions

Operating pressure	0.3 ... 0.7 MPa	
Operating pressure	3 ... 7 bar	
Operating pressure	43.5 ... 101.5 psi	
Operating medium	Compressed air to ISO 8573-1:2010 [7:4:4]	
Note on operating and pilot medium	Lubricated operation possible (in which case lubricated operation will always be required)	
Storage temperature	-10 ... 60°C	
Ambient temperature	-5 ... 50°C	
Media temperature	-5 ... 50°C	
Corrosion resistance class CRC ¹⁾	1 - Low corrosion stress	

1) More information visit www.festo.com/x/topic/kbk

Datasheet

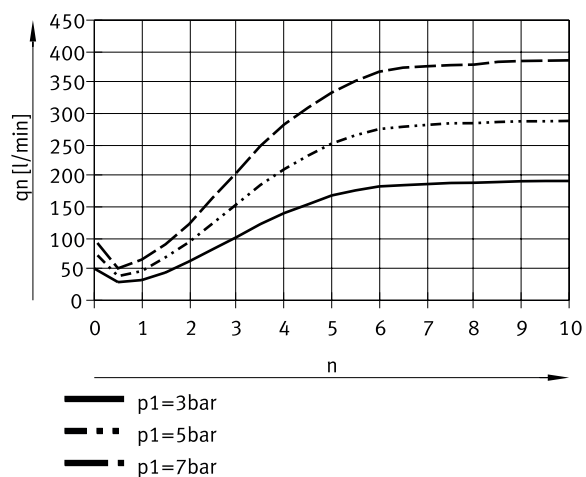
Materials

Material housing	PA-reinforced
Material seals	HNBR, NBR
Note on materials	RoHS-compliant
LABS (PWIS) conformity	VDMA24364-B1/B2-L
Cleanroom class	Class 7 according to ISO 14644-1

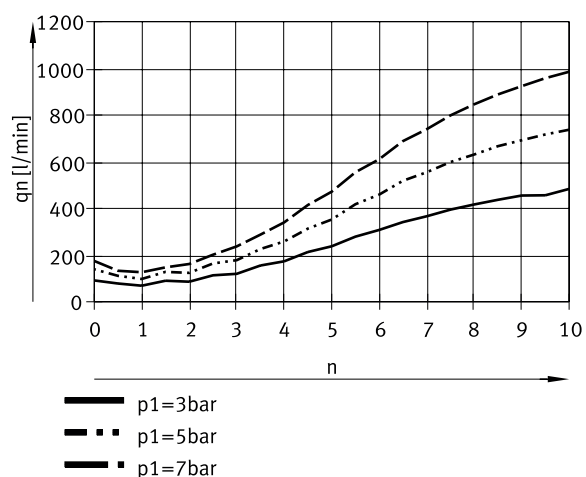
Additional material specifications – products for battery production (MS...-F1A-B)

Suitability for the production of Li-ion batteries	Metals with more than 1% by mass of copper, zinc or nickel are excluded from use. The exceptions are nickel in steel, chemically nickel-plated surfaces, circuit boards, cables, electrical plug connectors and coils
--	---

Flow rate q_n as a function of flow control screw turns n , measured: P1 against ambient pressure (MS4-EDE-B)

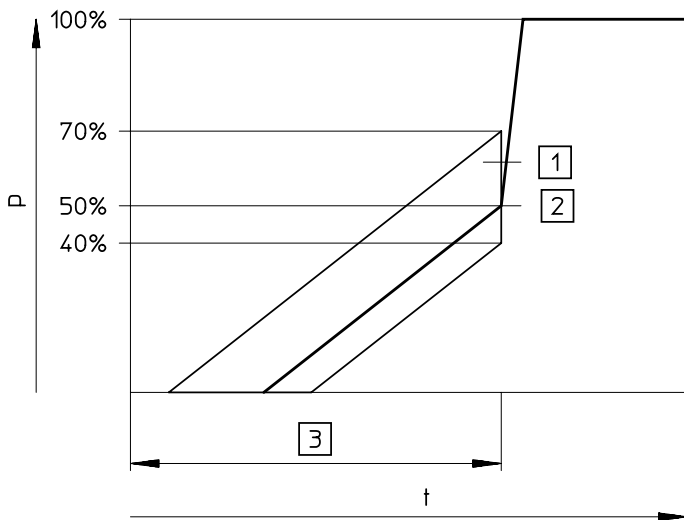


Flow rate q_n as a function of flow control screw turns n , measured: P1 against ambient pressure (MS6-EDE-B)



Datasheet

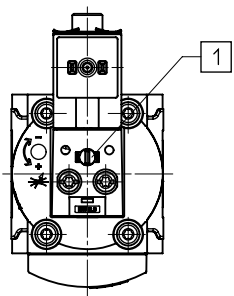
Pressure p as a function of time t (switching pressure)



- [1] Tolerance range
- [2] Switching point
- [3] Filling time adjustable via flow control

The +20%/–10% switching pressure tolerance refers to the operating pressure p_1 .
 Example: a switching pressure from 1.6 bar to 2.8 bar is permissible at an operating pressure of 4 bar.

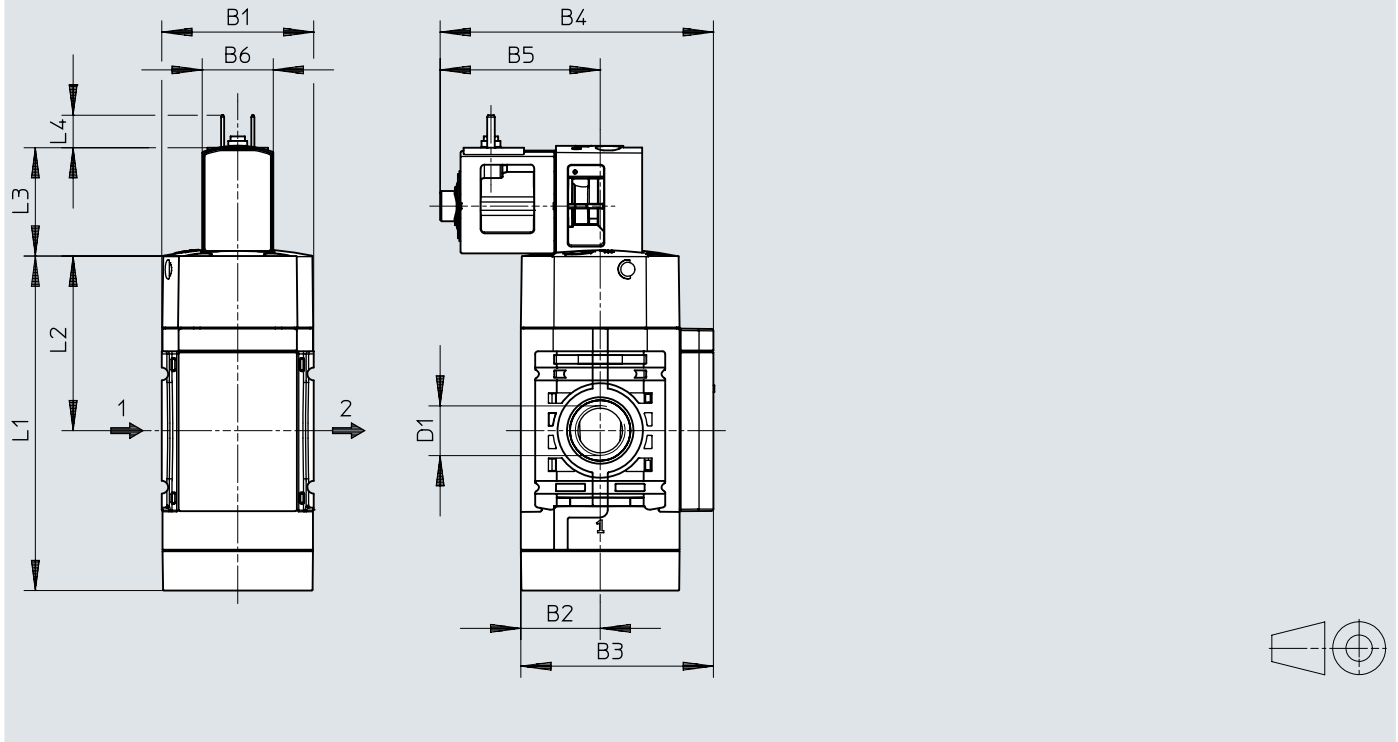
Manual override



- [1] Detenting and non-detenting manual override

Dimensions

Dimensions – Basic version

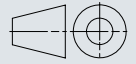
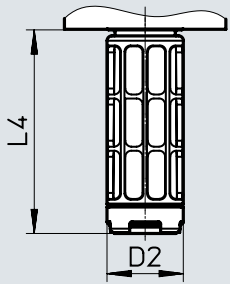
Download CAD data www.festo.com

	B1	B2	B3	B4	B5	B6	D1	L1	L2	L3	L4
MS4-EE-...-B	40,2	21	50,9	72,3	42,4	18,8	G1/4	88,5	46,2	28,7	8,6
MS6-EE-...-B	62	31	76	87,7	42,7	18,8	G1/2	140	75,5	28,2	8,6

Dimensions

Dimensions – Silencer (accessory)

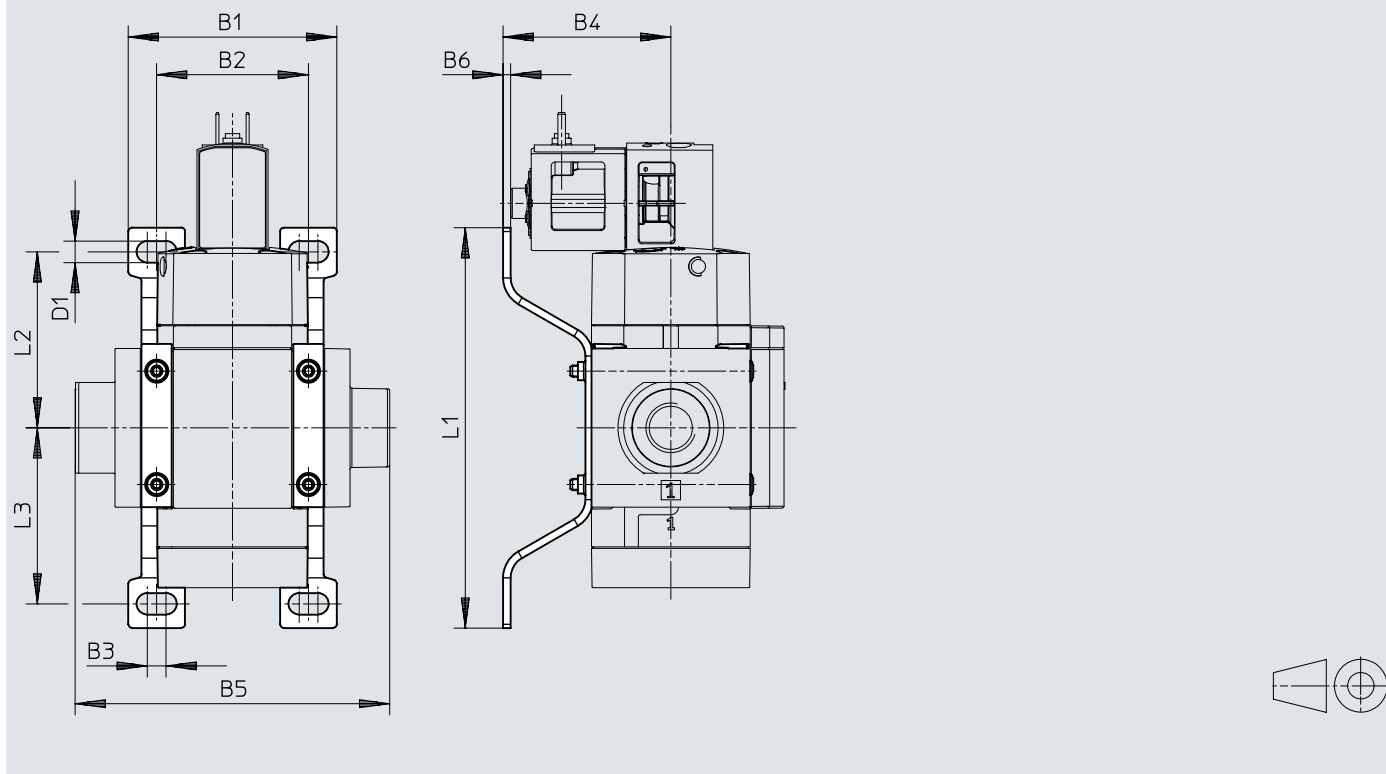
Download CAD data www.festo.com



	D2 ∅	L4
U-1/4	20	55
U-1/2	28	108


Dimensions


Dimensions – Wall mounting kit MS...-WPE-B (accessories)

Download CAD data www.festo.com

	B1	B2	B3	B4	B5	B6	D1 ∅	L1	L2	L3
MS4-WPE-B	55,2	40,2	5	44,4	83,3	2	5,7	106	46,6	46,6
MS6-WPE-B	79	62	4,3	53,9	114,9	2	6,5	158	71	71

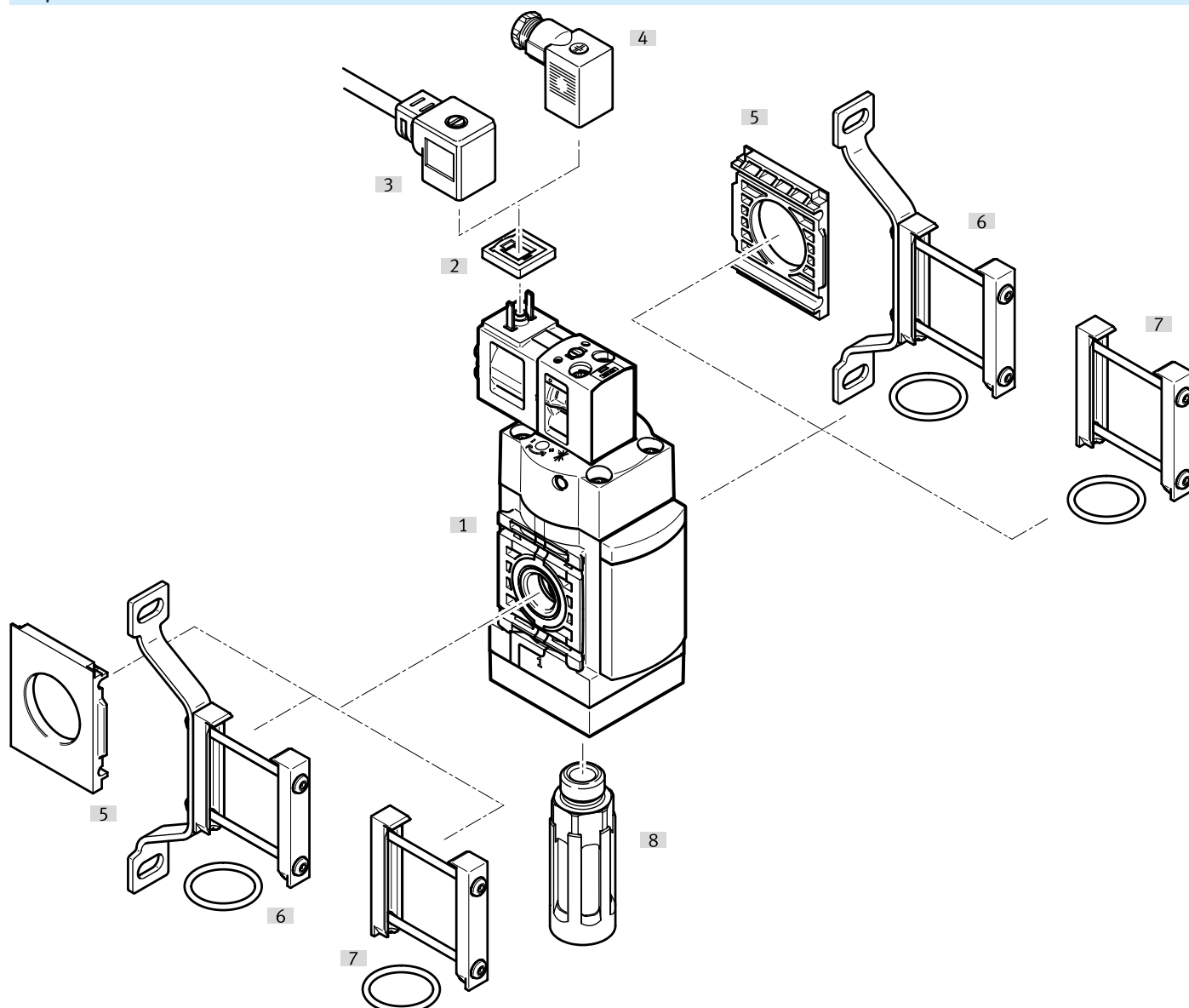
Ordering data

Ordering data					
	Size	Pneumatic connection, port 1	Product weight	Part no.	Type
	4	G1/4	196 g	★ 8080815	MS4-EDE-1/4-V24-B
	6	G1/2	499 g	★ 8080855	MS6-EDE-1/2-V24-B

Ordering data – Products for battery production					
	Size	Pneumatic connection, port 1	Product weight	Part no.	Type
	4	G1/4	196 g	8176511	MS4-EDE-1/4-V24-F1A-B
	6	G1/2	499 g	8176513	MS6-EDE-1/2-V24-F1A-B

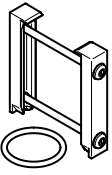
Peripherals

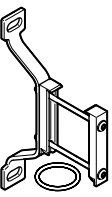
Peripherals overview

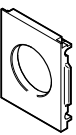


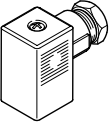
Accessories		→ Link
Type/order code	Description	
[1] On/off valve MS4/6-EDE-B		ms-ed-e-b
[2] Illuminating seal MEB-LD		12
[3] Plug socket with cable KMEB		13
[4] Plug socket MSSD-EB	For on/off valve MS...V24P and MS...V24...-EX2, the plug socket is included in the scope of delivery.	12
[5] Mounting plate MS...-AEND	Module connector MS4/6-MV [2] or mounting bracket MS4-WP, WPB, WPE, WPM [3] is required for mounting.	12
[6] Wall mounting kit MS...-WPE-B	Without illustration	12
[7] Module connector MS...-MV1		12
[8] Silencer U		12

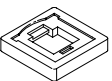
Accessories

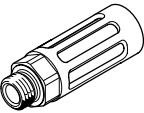
Module connector MS...-MV1					
	Size	Suitability for the production of Li-ion batteries	Product weight	Part no.	Type
	4		13 g	★ 8119201	MS4-MV1
		F1a	36 g	8176695	MS4-MV1-F1A
	6		33 g	★ 8119204	MS6-MV1
		F1a	54 g	8176697	MS6-MV1-F1A

Wall mounting kit MS...-WPE-B					
	Size	Product weight	Part no.	Type	
	4	30 g	★ 8118600	MS4-WPE-B	
	6	58 g	★ 8118599	MS6-WPE-B	

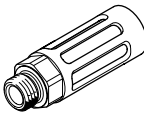
Mounting plate MS...-AEND					
	Size	Product weight	Part no.	Type	
	4	4 g	542966	MS4-AEND	
	6	11.1 g	535408	MS6-AEND1	

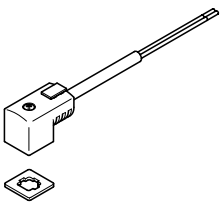
Plug socket MSSD-EB					
	Electrical connection	Type of mounting	Product weight	Part no.	Type
	3-pin, Socket, Angled socket, Type C, To DIN EN 175301-803, To DIN EN 61984, Square design MSEB, Square design MSN2	On solenoid valve via M2.5 central screw	11 g	★ 151687	MSSD-EB
	4-pin, Socket, Type C		17 g	192745	MSSD-EB-S-M14

Illuminating seal MEB-LD					
	Operational voltage range DC	Switching position indicator	Product weight	Part no.	Type
	12 ... 24 V	LED	0.6 g	151717	MEB-LD-12-24DC

Silencer U						
	Pneumatic connection	Flow rate to atmosphere	Sound pressure level	Product weight	Part no.	Type
	G1/4	3,300 l/min	76 dB(A)	7.7 g	★ 2316	U-1/4

Accessories

Silencer U						
	Pneumatic connection	Flow rate to atmosphere	Sound pressure level	Product weight	Part no.	Type
	G1/2	10,300 l/min	82 dB(A)	58.2 g	★ 2310	U-1/2

Plug socket with cable KMEB						
	Nominal operating voltage DC	Electrical connection 2, number of connections/cores	Signal status display	Cable length	Part no.	Type
	24 V	2		2.5 m	547270	KMEB-3-24-2.5
				5 m	547271	KMEB-3-24-5
			Yellow LED	2.5 m	547268	KMEB-3-24-2.5-LED
				5 m	547269	KMEB-3-24-5-LED
		3	2.5 m	★ 151688	KMEB-1-24-2.5-LED	
			5 m	151689	KMEB-1-24-5-LED	
			10 m	193457	KMEB-1-24-10-LED	