



ACIM1-N2221

PHOTOELECTRIC SENSORS

SICK
Sensor Intelligence.



Illustration may differ



Ordering information

Type	Part no.
ACIM1-N2221	1057381

Other models and accessories → www.sick.com/

Detailed technical data

Mechanics/electronics

Supply voltage	85 V AC ... 250 V AC
Mains frequency	50 Hz, 60 Hz
Output current I_{max.}	≤ 200 mA
Input	NPN
Connection type	Cable with female connector, M12, 4-pin, 0.2 m
Circuit protection	C ¹⁾ D ²⁾
Enclosure rating	IP65
Items supplied	Mating connector supplied separately
Input current I_i max.	≤ 100 mA
Ambient operating temperature	-30 °C ... +60 °C
Ambient temperature, storage	-40 °C ... +75 °C

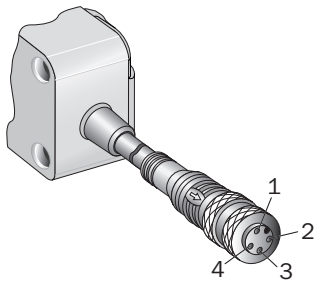
¹⁾ C = interference suppression.

²⁾ D = outputs overcurrent and short-circuit protected.

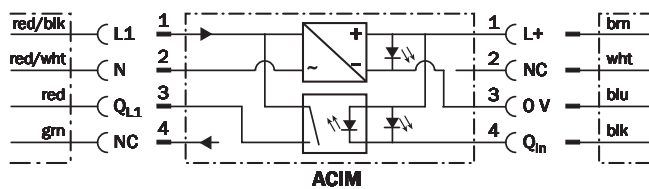
Classifications

eCl@ss 5.0	27270790
eCl@ss 5.1.4	27270790
eCl@ss 6.0	27270790
eCl@ss 6.2	27270790
eCl@ss 7.0	27270790
eCl@ss 8.0	27270790
eCl@ss 8.1	27270790
eCl@ss 9.0	27270790
eCl@ss 10.0	27270790
eCl@ss 11.0	27270790
ETIM 5.0	EC001852
ETIM 6.0	EC001852
ETIM 7.0	EC001852
ETIM 8.0	EC001852

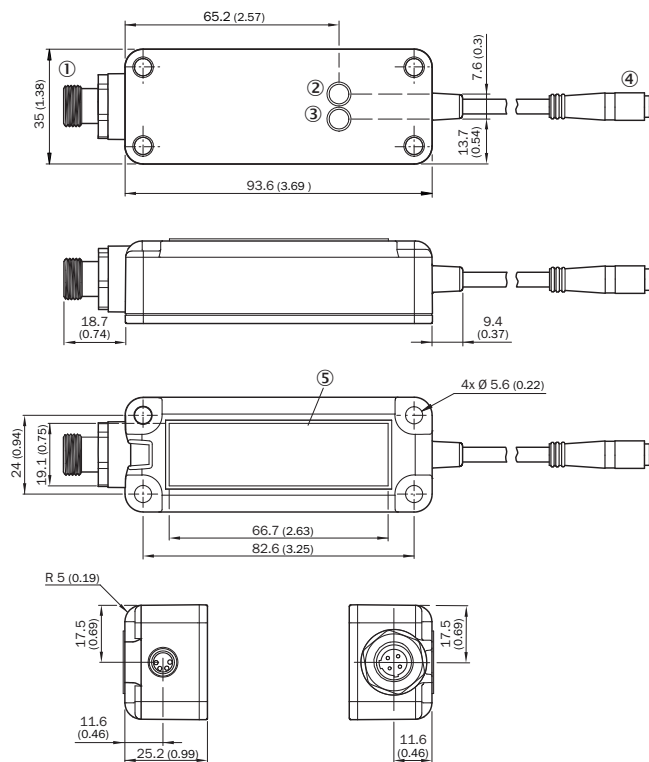
Connection type



Connection diagram



Dimensional drawing (Dimensions in mm (inch))



- ① AC input power, switch output
- ② Green LED indicator: DC output voltage
- ③ Orange LED indicator : DC switch input present
- ④ DC output power, switch input
- ⑤ Magnet

Recommended accessories

Plug connectors and cables

Connecting cables

Connection cables

Other models and accessories → www.sick.com/

Brief description	Type	Part no.
<ul style="list-style-type: none"> • Connection type head A: Female connector, 1/2"-20, 4-pin, straight • Connection type head B: Flying leads • Signal type: Sensor/actuator cable • Cable: 2 m, 4-wire, PVC • Description: Sensor/actuator cable • Connection systems: Flying leads 	KA24-SIF22	7023591
<ul style="list-style-type: none"> • Connection type head A: Female connector, 1/2"-20, 4-pin, straight • Connection type head B: Flying leads • Signal type: Sensor/actuator cable • Cable: 10 m, 4-wire, PVC • Description: Sensor/actuator cable • Connection systems: Flying leads 	KA24-SIF2210	6053107
<ul style="list-style-type: none"> • Connection type head A: Female connector, 1/2"-20, 4-pin, straight • Connection type head B: Flying leads • Signal type: Sensor/actuator cable • Cable: 5 m, 4-wire, PVC • Description: Sensor/actuator cable • Connection systems: Flying leads 	KA24-SIF225	6061173
Brief description	Type	Part no.
<ul style="list-style-type: none"> • Connection type head A: Female connector, Micro 1/2"-20, 4-pin, straight • Connection type head B: Male connector, safety plug, 4-pin, straight • Signal type: Sensor/actuator cable • Cable: 2 m, 3-wire, TPU • Description: Sensor/actuator cable 	KA14-SGF22EWP	6050703
<ul style="list-style-type: none"> • Connection type head A: Female connector, Micro 1/2"-20, 4-pin, straight • Connection type head B: Male connector, NEMA 6, 3-pin, straight • Signal type: Sensor/actuator cable • Cable: 2 m, 3-wire, TPU • Description: Sensor/actuator cable 	KA14-SGF22MWP	6048721

SICK AT A GLANCE

SICK is one of the leading manufacturers of intelligent sensors and sensor solutions for industrial applications. A unique range of products and services creates the perfect basis for controlling processes securely and efficiently, protecting individuals from accidents and preventing damage to the environment.

We have extensive experience in a wide range of industries and understand their processes and requirements. With intelligent sensors, we can deliver exactly what our customers need. In application centers in Europe, Asia and North America, system solutions are tested and optimized in accordance with customer specifications. All this makes us a reliable supplier and development partner.

Comprehensive services complete our offering: SICK LifeTime Services provide support throughout the machine life cycle and ensure safety and productivity.

For us, that is “Sensor Intelligence.”

WORLDWIDE PRESENCE:

Contacts and other locations –www.sick.com