



AOS504 RMG

AOS LiDAR

OBJECT DETECTION SYSTEMS

SICK
Sensor Intelligence.



Ordering information

Control configuration	Number of sensors	Max. range with 10 % reflectivity	Items supplied	Type	Part no.
Collision avoidance for gantry cranes	4	40 m	LMS511-12100S04 (4 x) Flexi Soft main module FX3-CPU000000 Flexi Soft system plug FX3-MPL000001 Flexi Soft I/O module FX3-XTIO84002 (2 x) USB configuration cable USB stick with configuration files Ethernet connection cable Mounting bracket (4x) Mounting kit for laser scanner (4 x) Connection box LMS5xx Heavy Duty (4x) Weather protection cover 180° (4 x)	AOS504 RMG	1116069

Included in delivery: Mounting kit (4), Mounting bracket (4), FX3-MPL000001 (1), Compact LMS5xx heavy-duty connection unit (4), LMS511-12100S04 (4), Weather protection hood (4), YM2D34-100PN4MRJA4 (4), DSL-8U04G02M025KM1 (1), FX3-CPU000000 (1), FX3-XTIO84002 (2)

Other models and accessories → www.sick.com/AOS_LiDAR



Detailed technical data

Features

Sensor	LMS511-12100S04
Number of sensors	4
Aperture angle	190°
Max. range with 10 % reflectivity	40 m
Version	Heavy-Duty

Mechanics/electronics

Housing dimensions (W x D x H)	160 m x 155 m x 185 m (sensor)
---------------------------------------	--------------------------------

¹⁾ Per LMS.

²⁾ Sensor.

³⁾ Control.

	67.5 m x 96.5 m x 120.6 m (control with three modules, 22.5 mm each)
Weight	3.7 kg, Per LMS, without connection box
Supply voltage	24 V DC ¹⁾
Power consumption	22 W, Per LMS511 (+ heating 55 W, per LMS) 6.9 W, Flexi Soft with 2 x I/O module (without load)
Fixing	Mounting kit (sensor), Mounting rail (control)
Enclosure rating	IP65/ IP67 ²⁾ IP20 ³⁾

¹⁾ Per LMS.

²⁾ Sensor.

³⁾ Control.

Performance

Number of laserscanners	4
Response time	330 ms

Interfaces

Number of safety inputs	✓ (16)
Number of safe outputs	✓ (8)
Configuration interface	Ethernet (sensor), USB (control)
Output data	Alarm via control signal Warning field intrusion, stop field intrusion System test error Contamination warning

Ambient data

Ambient operating temperature	-40 °C ... +60 °C, Sensor -25 °C ... +55 °C, Control
Ambient temperature, storage	-40 °C ... +70 °C ¹⁾ -25 °C ... +70 °C ²⁾
Ambient light immunity	70,000 lx
Vibration resistance	
Standard	IEC 60068-2-6:2007-12
Shock resistance	IEC 60068-2-27:2008-03

¹⁾ Sensor.

²⁾ Control.

General notes

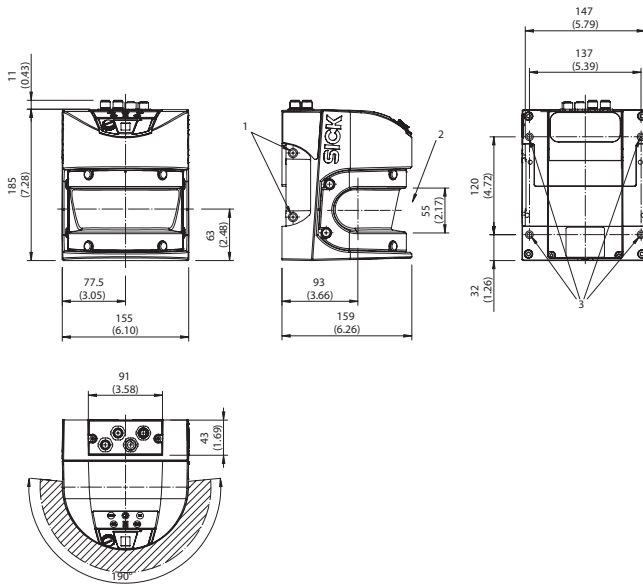
Items supplied	LMS511-12100S04 (4 x) Flexi Soft main module FX3-CPU000000 Flexi Soft system plug FX3-MPL000001 Flexi Soft I/O module FX3-XTIO84002 (2 x) USB configuration cable USB stick with configuration files Ethernet connection cable Mounting bracket (4x) Mounting kit for laser scanner (4 x) Connection box LMS5xx Heavy Duty (4x) Weather protection cover 180° (4 x)
Note on use	The AOS LiDAR object detection system is not a safety device for human protection and it therefore does not comply with any safety standards. For safety applications, please contact SICK AG.

Classifications

ECLASS 5.0	27281001
ECLASS 5.1.4	27280190
ECLASS 6.0	27280190
ECLASS 6.2	27280190
ECLASS 7.0	27280190
ECLASS 8.0	27280190
ECLASS 8.1	27280190
ECLASS 9.0	27280190
ECLASS 10.0	27280190
ECLASS 11.0	27280190
ECLASS 12.0	27280190
UNSPSC 16.0901	43211701

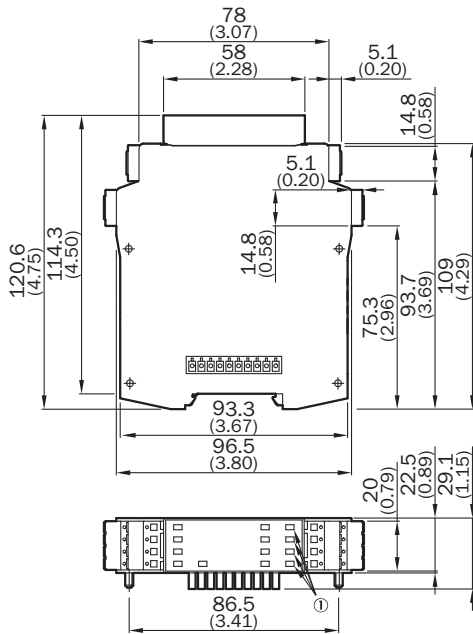
Dimensional drawing (Dimensions in mm (inch))

LMS511



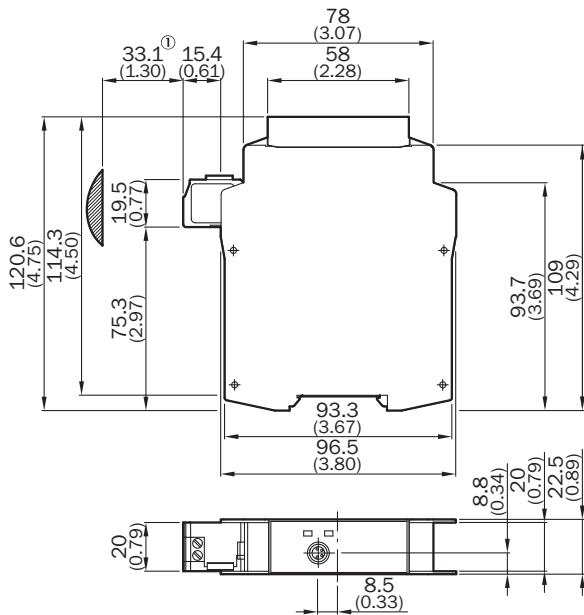
- ① 4 screw holes M8 x 9
- ② Do not block front screen
- ③ 4 screw holes M6 x 8

FX3-XTIO, FX3-XTDI



① Only valid for FX3-XTIO

FX3-CPU0



① Approximate connector range

SICK AT A GLANCE

SICK is one of the leading manufacturers of intelligent sensors and sensor solutions for industrial applications. A unique range of products and services creates the perfect basis for controlling processes securely and efficiently, protecting individuals from accidents and preventing damage to the environment.

We have extensive experience in a wide range of industries and understand their processes and requirements. With intelligent sensors, we can deliver exactly what our customers need. In application centers in Europe, Asia and North America, system solutions are tested and optimized in accordance with customer specifications. All this makes us a reliable supplier and development partner.

Comprehensive services complete our offering: SICK LifeTime Services provide support throughout the machine life cycle and ensure safety and productivity.

For us, that is “Sensor Intelligence.”

WORLDWIDE PRESENCE:

Contacts and other locations –www.sick.com