



# CHD160TA

Conveyor Hotspot Detection System

**OBJECT DETECTION SYSTEMS**

**SICK**  
Sensor Intelligence.



### Ordering information

Type	Part no.
CHD160TA	1141664

Other models and accessories → [www.sick.com/Conveyor\\_Hotspot\\_Detection\\_System](http://www.sick.com/Conveyor_Hotspot_Detection_System)



### Detailed technical data

#### Features

<b>Areas of application</b>	Loading and unloading of cargo ships, Loading and unloading of rail freight transport, Transport between processing stages, Infeed for ovens and mills, Conveyor belts in production facilities, mines and power plants, Conveyor belts in sorting and recycling systems, Silo inlets and outlets, Briquetting and pelletizing plants
<b>Image resolution</b>	128 px x 1 px
<b>Measuring frequency</b>	≤ 256 Hz
<b>Sensor</b>	Infrared camera, 8 μm ... 14 μm
<b>Aperture angle</b>	60°
<b>Temperature measuring range</b>	0 °C ... +500 °C
<b>Alarm threshold</b>	Adjustable (0 °C ... +500 °C)
<b>Controller</b>	TDC-E210AC
<b>Region of use</b>	North America and Latin America
<b>Items supplied</b>	Infrared camera, TDC-E, Various accessories

#### Mechanics/electronics

<b>Supply voltage</b>	24 V DC (12 V DC ... 36 V DC)
<b>Installation position</b>	Variable
<b>Installation height</b>	≥ 50 cm
<b>Enclosure rating</b>	IP65 <sup>1)</sup>

<sup>1)</sup> Camera with chrome steel housing.

#### Interfaces

<b>Output data</b>	Alarms Alarm data Temperature data System status Thermal images
<b>Operator interface</b>	TEMS Info Interface (TCP/IP Interface), digital I/Os

#### Ambient data

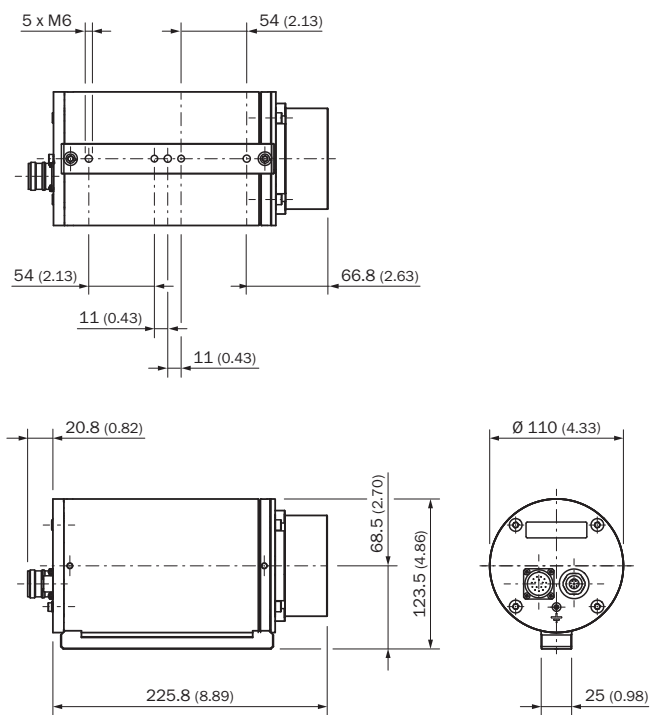
<b>Ambient operating temperature</b>	-10 °C ... +50 °C
--------------------------------------	-------------------

#### Classifications

<b>ECLASS 5.0</b>	27281001
<b>ECLASS 5.1.4</b>	27280190

<b>ECLASS 6.0</b>	27280190
<b>ECLASS 6.2</b>	27280190
<b>ECLASS 7.0</b>	27280190
<b>ECLASS 8.0</b>	27280190
<b>ECLASS 8.1</b>	27280190
<b>ECLASS 9.0</b>	27280190
<b>ECLASS 10.0</b>	27280190
<b>ECLASS 11.0</b>	27280190
<b>UNSPSC 16.0901</b>	41111615

### Dimensional drawing (Dimensions in mm (inch))



## SICK AT A GLANCE

SICK is one of the leading manufacturers of intelligent sensors and sensor solutions for industrial applications. A unique range of products and services creates the perfect basis for controlling processes securely and efficiently, protecting individuals from accidents and preventing damage to the environment.

We have extensive experience in a wide range of industries and understand their processes and requirements. With intelligent sensors, we can deliver exactly what our customers need. In application centers in Europe, Asia and North America, system solutions are tested and optimized in accordance with customer specifications. All this makes us a reliable supplier and development partner.

Comprehensive services complete our offering: SICK LifeTime Services provide support throughout the machine life cycle and ensure safety and productivity.

For us, that is “Sensor Intelligence.”

## WORLDWIDE PRESENCE:

Contacts and other locations –[www.sick.com](http://www.sick.com)