

DKV60E-22EZZ0S15

DKV60

MEASURING WHEEL ENCODERS

SICK
Sensor Intelligence.

Illustration may differ

Ordering information

Type	Part no.
DKV60E-22EZZ0S15	1138882

Other models and accessories → www.sick.com/DKV60

Detailed technical data

Features

Special device	✓
Specialty	Without spring arm ¹⁾ Cable, 8-wire, 1.5 m with Molex pin housing, 8-pin Molex pin contacts
Standard reference device	DKV60E-22EPA0200, 1115722

¹⁾ MOLEX-Housing part number: 39012081, MOLEX-Pin part number: 39000049 (loose), 39000048 (chain).

Performance

Pulses per revolution	200
Resolution in pulses/mm	0.95
Measuring increment (resolution in mm/pulse)	1.05
Error limits	± 4 mm/m, subject to the measuring wheel (wheel + surface) ¹⁾
Initialization time	< 3 ms

¹⁾ The surface of a measuring wheel is subject to wear. This depends on contact pressure, acceleration behavior in the application, traversing speed, measurement surface, mechanical alignment of the measuring wheel, temperature, and ambient conditions. We recommend you regularly check the condition of the measuring wheel and replace as required.

Interfaces

Communication interface	Incremental
Communication Interface detail	HTL / Push pull

Electrical data

Connection type	Cable, 8-wire, with male connector, With Molex pin housing and Molex pin contacts, 8-pin, universal, 1.5 m
Supply voltage	7 V ... 30 V
Load current max.	30 mA
Maximum output frequency	≤ 300 kHz
Reference signal, number	1
Reference signal, position	90°, electric, logically gated with A and B
Reverse polarity protection	-

Mechanical data

Measuring wheel circumference	210 mm
Measuring wheel surface	O ring EPDM ¹⁾
Mass	950 g
Encoder material	
Shaft	Stainless steel
Flange	Zinc cast
Housing	Zinc cast
Cable	PVC
Spring arm mechanism material	
Measuring wheel, spring arm	Aluminum
Start up torque	0.9 Ncm (at 20 °C)
Operating torque	0.6 Ncm (at 20 °C)
Operating speed	≤ 1,000 min ⁻¹
Maximum operating speed	1,500 min ⁻¹
Bearing lifetime	2 x 10 ⁹ revolutions
Max. permissible working area for the spring (continuous operation)	± 1.5 mm

¹⁾ The surface of a measuring wheel is subject to wear. This depends on contact pressure, acceleration behavior in the application, traversing speed, measurement surface, mechanical alignment of the measuring wheel, temperature, and ambient conditions. We recommend you regularly check the condition of the measuring wheel and replace as required.

Ambient data

EMC	According to EN 61000-6-2 and EN 61000-6-3 (class A)
Enclosure rating	IP65
Operating temperature range	-35 °C ... +60 °C
Storage temperature range	-40 °C ... +70 °C, without package

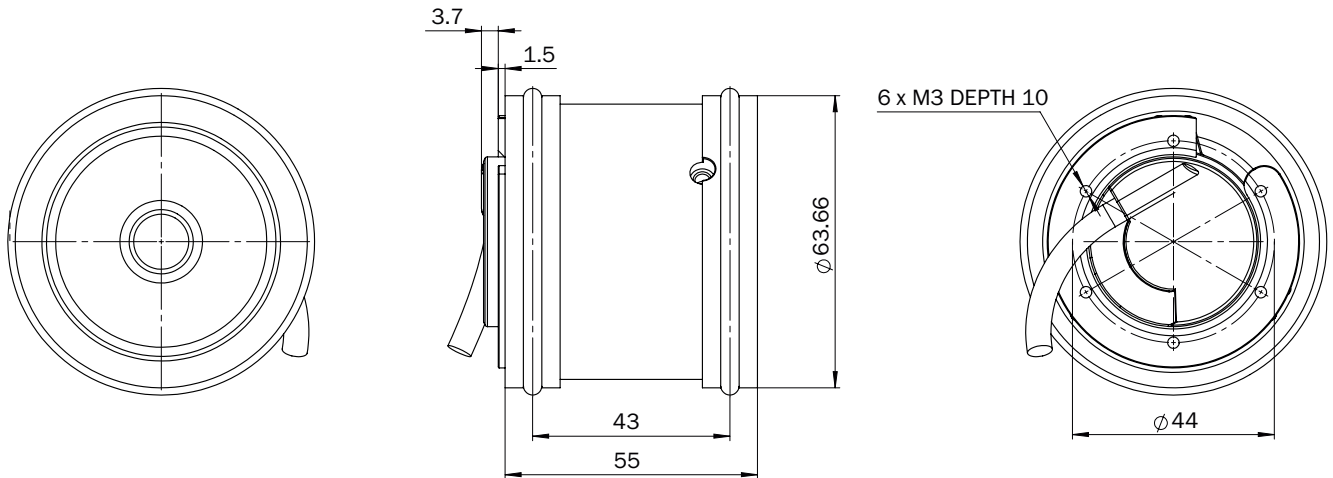
Classifications

ECLASS 5.0	27270501
ECLASS 5.1.4	27270501
ECLASS 6.0	27270590
ECLASS 6.2	27270590
ECLASS 7.0	27270501
ECLASS 8.0	27270501
ECLASS 8.1	27270501
ECLASS 9.0	27270501
ECLASS 10.0	27270790
ECLASS 11.0	27270707
ECLASS 12.0	27270504
ETIM 5.0	EC001486
ETIM 6.0	EC001486
ETIM 7.0	EC001486
ETIM 8.0	EC001486

UNSPSC 16.0901

41112113

Dimensional drawing (Dimensions in mm (inch))



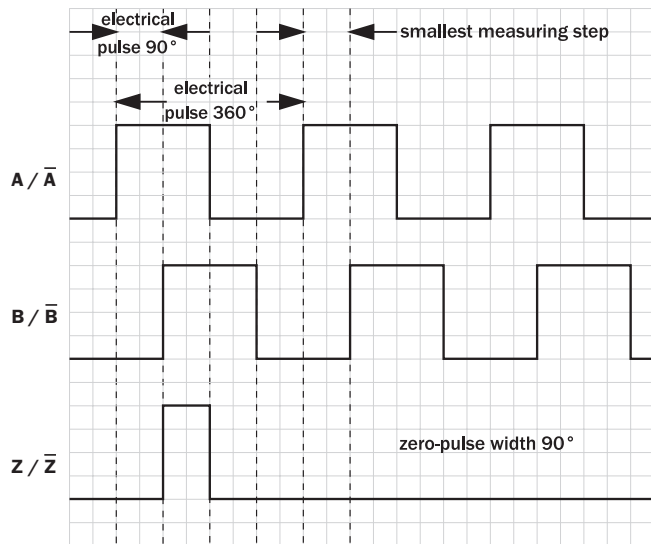
PIN assignment

Farbe der Adern	Signal bei HTL	Erklärung	Pin
Braun	A_	Signalleitung	1
Weiß	A	Signalleitung	2
Schwarz	B_	Signalleitung	3
Rosa	B	Signalleitung	4
Gelb	Z_	Signalleitung	5
Lila	Z	Signalleitung	6
Blau	GND	Masseanschluss des Encoders	7
Rot	+ U _s	Versorgungsspannung ¹⁾	8
N.C.	N.C.	Schirm ²⁾	

¹⁾ Potentialfrei zum Gehäuse

²⁾ auf Kundenwunsch sind die Schirmmütze und das Schirmgeflecht bündig mit dem Kabelmantelende abgeschnitten.

Diagrams



SICK AT A GLANCE

SICK is one of the leading manufacturers of intelligent sensors and sensor solutions for industrial applications. A unique range of products and services creates the perfect basis for controlling processes securely and efficiently, protecting individuals from accidents and preventing damage to the environment.

We have extensive experience in a wide range of industries and understand their processes and requirements. With intelligent sensors, we can deliver exactly what our customers need. In application centers in Europe, Asia and North America, system solutions are tested and optimized in accordance with customer specifications. All this makes us a reliable supplier and development partner.

Comprehensive services complete our offering: SICK LifeTime Services provide support throughout the machine life cycle and ensure safety and productivity.

For us, that is “Sensor Intelligence.”

WORLDWIDE PRESENCE:

Contacts and other locations –www.sick.com