

DOL-1J14-GOM2XS02

Sensor/actuator cable

SICK
Sensor Intelligence.

Ordering information

Type	Part no.
DOL-1J14-G0M2XS02	2141879

Other models and accessories → www.sick.com/Sensor_actuator_cable

Detailed technical data

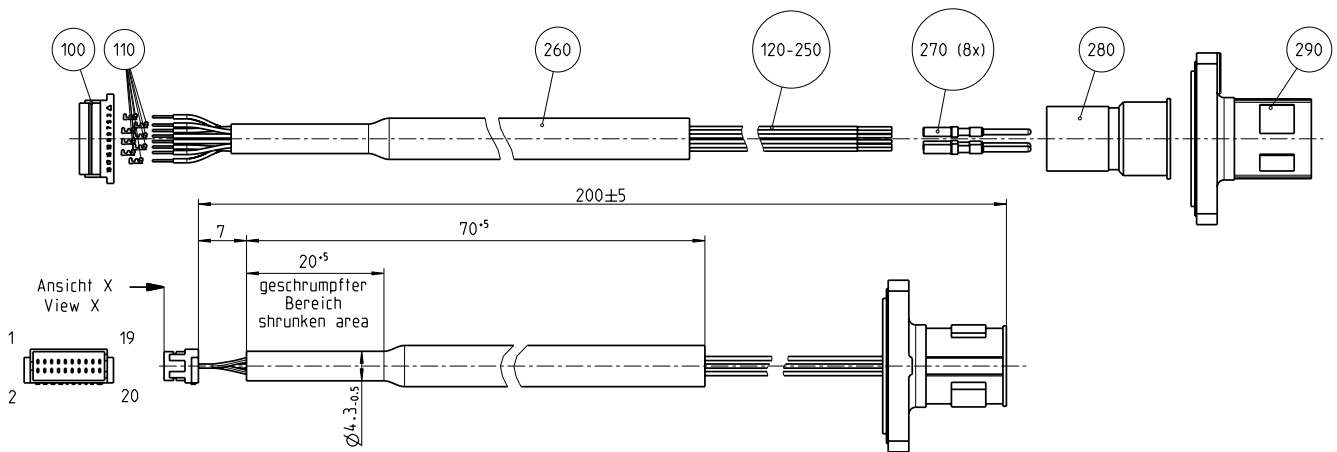
Technical specifications

Connection type head A	Female connector, stranded wire, 14-pin, straight
Connection type head B	Flying leads
Cable	0.2 m, 14-wire
Conductor cross section	0.15 mm ²
Shielding	Unshielded
Signal type	Incremental
Specialty	M12 male connector at the cable end

Classifications

ECLASS 5.0	19030312
ECLASS 5.1.4	19030312
ECLASS 6.0	27060304
ECLASS 6.2	27060304
ECLASS 7.0	27060304
ECLASS 8.0	27060304
ECLASS 8.1	27060304
ECLASS 9.0	27060304
ECLASS 10.0	27060304
ECLASS 11.0	27060304
ECLASS 12.0	27060304
ETIM 5.0	EC000830
ETIM 6.0	EC000830
ETIM 7.0	EC003249
ETIM 8.0	EC003249
UNSPSC 16.0901	26121604

PIN assignment



Unused stranded wires need to be shrink wrapped

SICK AT A GLANCE

SICK is one of the leading manufacturers of intelligent sensors and sensor solutions for industrial applications. A unique range of products and services creates the perfect basis for controlling processes securely and efficiently, protecting individuals from accidents and preventing damage to the environment.

We have extensive experience in a wide range of industries and understand their processes and requirements. With intelligent sensors, we can deliver exactly what our customers need. In application centers in Europe, Asia and North America, system solutions are tested and optimized in accordance with customer specifications. All this makes us a reliable supplier and development partner.

Comprehensive services complete our offering: SICK LifeTime Services provide support throughout the machine life cycle and ensure safety and productivity.

For us, that is “Sensor Intelligence.”

WORLDWIDE PRESENCE:

Contacts and other locations –www.sick.com