



E100-A2A22S10A

E100

SAFETY COMMAND DEVICES

SICK
Sensor Intelligence.

Ordering information



Type	Part no.
E100-A2A22S10A	6021916

Other models and accessories → www.sick.com/E100



Detailed technical data

Features

Positive action N/C contacts	2
N/O contacts	2
Actuation directions	1

Safety-related parameters

B_{10d} parameter	5 x 10 ⁵ switching cycles (with small load)
Safe state in the event of a fault	The switch has no internal fault detection and is unable to assume a safe state in the event of a fault. Fault detection is performed by the connected safety-related logic unit.

Functions

Safe series connections	None, only individual wiring (with diagnostics)
--------------------------------	---

Interfaces

Type of connection cable	Straight
Connection type	Cable open end
Length of cable	10 m
Cable diameter	8 mm
Conductor cross section	8 x 0.34 mm ²
Bend radius (with fixed installation)	> 7.5 x cable diameter
Bend radius (with moving cable)	> 15 x cable diameter
Cable material	PUR
Conductor material	Copper

Electrical data

Switching principle	Slow action switching element
Positive action N/C contacts	2
N/O contacts	2
Usage category	AC-15/DC-13 (EN 60947-5-1)
Rated operating current (voltage)	2 A (230 V AC) 2 A (24 V DC)

Rated insulation voltage U_i	250 V
Rated impulse withstand voltage U_{imp}	2,500 V
Short-circuit protection	2 A gG
Switching voltage	≥ 12 V DC
Switching current (switching voltage)	1 mA (24 V DC)

Mechanical data

Dimensions	64 mm x 132 mm
Weight	1.27 kg
Housing material	Plastic
Mechanical life	1×10^5 switching cycles

Ambient data

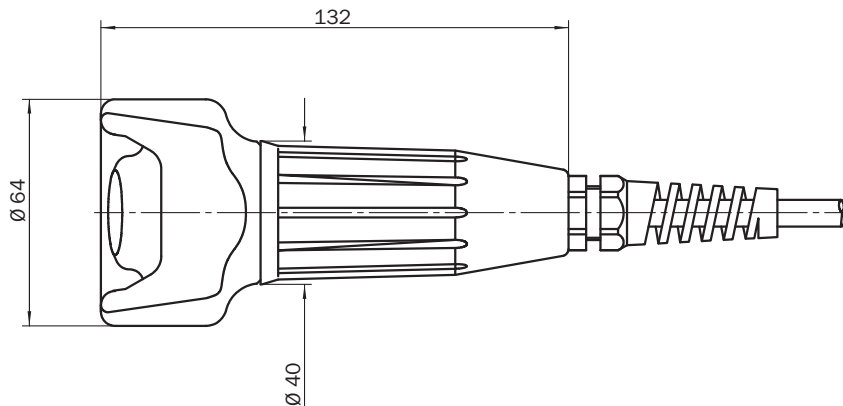
Enclosure rating	IP67 (EN 60529)
Ambient operating temperature	-5 °C ... +50 °C
Storage temperature	-5 °C ... +50 °C

Classifications

ECLASS 5.0	27371238
ECLASS 5.1.4	27371238
ECLASS 6.0	27371238
ECLASS 6.2	27371238
ECLASS 7.0	27371238
ECLASS 8.0	27371238
ECLASS 8.1	27371238
ECLASS 9.0	27371238
ECLASS 10.0	27371238
ECLASS 11.0	27371238
ECLASS 12.0	27371238
ETIM 5.0	EC002571
ETIM 6.0	EC002571
ETIM 7.0	EC002571
ETIM 8.0	EC002571
UNSPSC 16.0901	39122205

Dimensional drawing (Dimensions in mm (inch))

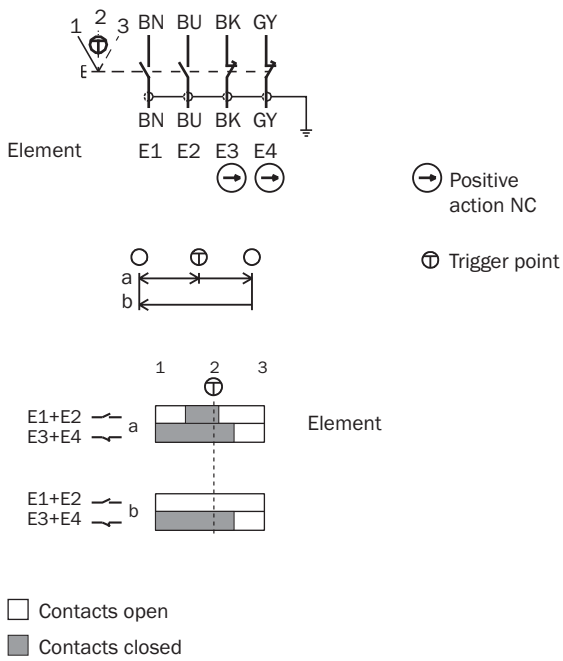
E100-A



Actuator travel diagram

E100-A

2 NO
2 positive action NC



SICK AT A GLANCE

SICK is one of the leading manufacturers of intelligent sensors and sensor solutions for industrial applications. A unique range of products and services creates the perfect basis for controlling processes securely and efficiently, protecting individuals from accidents and preventing damage to the environment.

We have extensive experience in a wide range of industries and understand their processes and requirements. With intelligent sensors, we can deliver exactly what our customers need. In application centers in Europe, Asia and North America, system solutions are tested and optimized in accordance with customer specifications. All this makes us a reliable supplier and development partner.

Comprehensive services complete our offering: SICK LifeTime Services provide support throughout the machine life cycle and ensure safety and productivity.

For us, that is “Sensor Intelligence.”

WORLDWIDE PRESENCE:

Contacts and other locations –www.sick.com