



E100-B2A22S25A

E100

SAFETY COMMAND DEVICES

SICK
Sensor Intelligence.



Ordering information

| Type | Part no. |
|----------------|----------|
| E100-B2A22S25A | 6033234 |

Other models and accessories → www.sick.com/E100



Detailed technical data

Features

| | |
|-------------------------------------|---|
| Positive action N/C contacts | 2 |
| N/O contacts | 2 |
| Actuation directions | 1 |
| Plus/minus button | ✓ |

Safety-related parameters

| | |
|---|---|
| B_{10d} parameter | 5 x 10 ⁵ switching cycles (with small load) |
| Safe state in the event of a fault | The switch has no internal fault detection and is unable to assume a safe state in the event of a fault. Fault detection is performed by the connected safety-related logic unit. |

Functions

| | |
|--------------------------------|---|
| Safe series connections | None, only individual wiring (with diagnostics) |
|--------------------------------|---|

Interfaces

| | |
|---------------------------------------|--|
| Type of connection cable | Straight |
| Connection type | Cable open end |
| Length of cable | 25 m |
| Cable diameter | 9.8 mm |
| Conductor cross section | 8 x 0.5 mm ² , 8 x 0.14 mm ² |
| Bend radius (with fixed installation) | > 7.5 x cable diameter |
| Bend radius (with moving cable) | > 15 x cable diameter |
| Cable material | PUR |
| Conductor material | Copper |

Electrical data

| | |
|--|-------------------------------|
| Switching principle | Slow action switching element |
| Positive action N/C contacts | 2 |
| N/O contacts | 2 |
| Usage category | DC-13 (EN 60947-5-1) |
| Rated operating current (voltage) | 2 A (24 V DC) |

| | |
|---|-------------------|
| | 100 mA (24 V DC) |
| Rated insulation voltage U_i | 32 V |
| Rated impulse withstand voltage U_{imp} | 800 V |
| Short-circuit protection | 2 A gG / 0.1 A gG |
| Switching voltage | ≥ 12 V DC |
| Switching current (switching voltage) | 1 mA (24 V DC) |

Mechanical data

| | |
|-------------------------|----------------------------------|
| Dimensions | 64 mm x 132 mm |
| Weight | 1.32 kg |
| Housing material | Plastic |
| Mechanical life | 1×10^5 switching cycles |

Ambient data

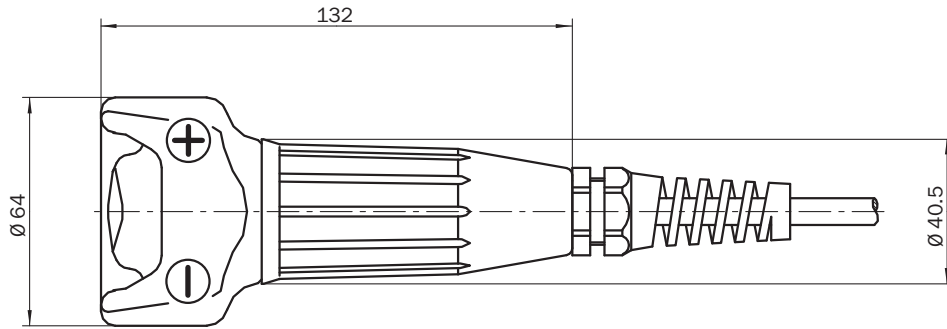
| | |
|--------------------------------------|------------------|
| Enclosure rating | IP65 (EN 60529) |
| Ambient operating temperature | -5 °C ... +50 °C |
| Storage temperature | -5 °C ... +50 °C |

Classifications

| | |
|-----------------------|----------|
| ECLASS 5.0 | 27371238 |
| ECLASS 5.1.4 | 27371238 |
| ECLASS 6.0 | 27371238 |
| ECLASS 6.2 | 27371238 |
| ECLASS 7.0 | 27371238 |
| ECLASS 8.0 | 27371238 |
| ECLASS 8.1 | 27371238 |
| ECLASS 9.0 | 27371238 |
| ECLASS 10.0 | 27371238 |
| ECLASS 11.0 | 27371238 |
| ECLASS 12.0 | 27371238 |
| ETIM 5.0 | EC002571 |
| ETIM 6.0 | EC002571 |
| ETIM 7.0 | EC002571 |
| ETIM 8.0 | EC002571 |
| UNSPSC 16.0901 | 39122205 |

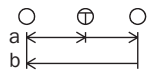
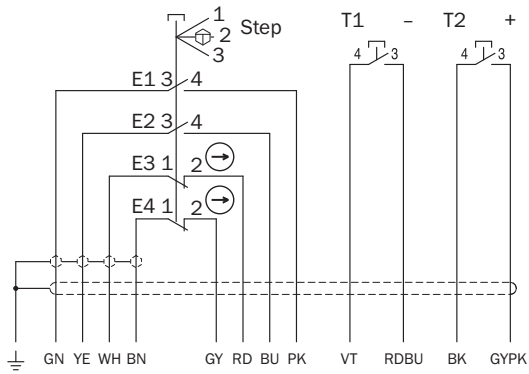
Dimensional drawing (Dimensions in mm (inch))

E100-B

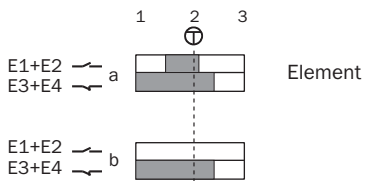


Actuator travel diagram

E100-B



⊕ Trigger point



- Contacts open
- Contacts closed

SICK AT A GLANCE

SICK is one of the leading manufacturers of intelligent sensors and sensor solutions for industrial applications. A unique range of products and services creates the perfect basis for controlling processes securely and efficiently, protecting individuals from accidents and preventing damage to the environment.

We have extensive experience in a wide range of industries and understand their processes and requirements. With intelligent sensors, we can deliver exactly what our customers need. In application centers in Europe, Asia and North America, system solutions are tested and optimized in accordance with customer specifications. All this makes us a reliable supplier and development partner.

Comprehensive services complete our offering: SICK LifeTime Services provide support throughout the machine life cycle and ensure safety and productivity.

For us, that is “Sensor Intelligence.”

WORLDWIDE PRESENCE:

Contacts and other locations –www.sick.com