



ES11-SA2B8

ES11

SAFETY COMMAND DEVICES

SICK
Sensor Intelligence.



Ordering information

Type	Part no.
ES11-SA2B8	6051328

Other models and accessories → www.sick.com/ES11

Detailed technical data

Features

Positive action N/C contacts	2
N/O contacts	0
Emergency stop pushbutton (illuminable)	✓
Actuation directions	1
Dimensions (W x H x D)	40 mm x 123 mm x 52 mm
Items supplied	Including retaining clip

Safety-related parameters

B_{10d} parameter	2.5 x 10 ⁵ switching cycles
----------------------------------	--

Functions

Safe series connections	With Flexi Loop (with diagnostics)
--------------------------------	------------------------------------

Interfaces

Connection type	Plug connector, M12, 8-pin
Coupling nut material	PBT

Electrical data

Operating data

Protection class	III (EN 50178)
Switching principle	Slow action switching element
Positive action N/C contacts	2
N/O contacts	0
Switching current	1 mA ... 100 mA
Switching capacity	≤ 250 mW
Switching voltage	1 V DC ... 30 V DC
Contact material	AgNi, 5 μm gold plated
Electrical life	
Emergency stop pushbuttons	5 x 10 ⁴ switching cycles

Illumination

Supply voltage V_s	30 V AC/DC
Power consumption	4 mA (24 V DC)

Mechanical data

Dimensions	40 mm x 123 mm x 52 mm
Weight	115 g
Housing material	PBT
Mechanical life	
Emergency stop pushbuttons	5×10^4 switching cycles

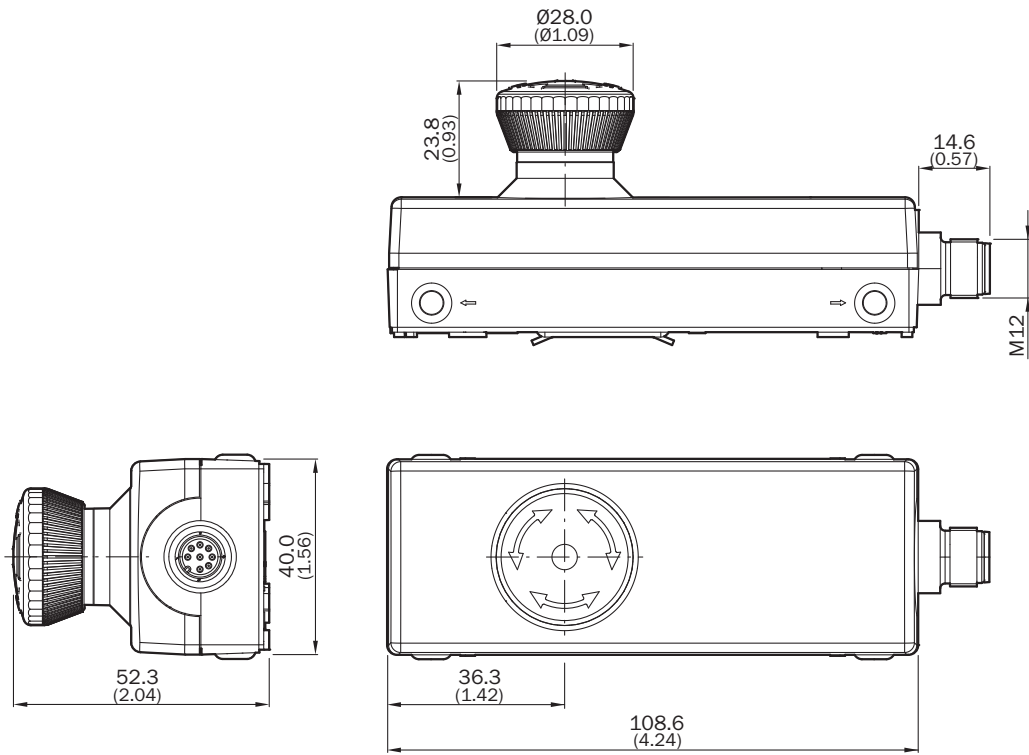
Ambient data

Enclosure rating	IP65 (EN 60529)
Ambient operating temperature	-25 °C ... +70 °C
Storage temperature	-25 °C ... +80 °C

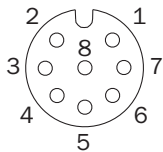
Classifications

ECLASS 5.0	27371228
ECLASS 5.1.4	27371228
ECLASS 6.0	27371244
ECLASS 6.2	27371244
ECLASS 7.0	27371244
ECLASS 8.0	27371244
ECLASS 8.1	27371244
ECLASS 9.0	27371244
ECLASS 10.0	27371244
ECLASS 11.0	27371244
ECLASS 12.0	27371244
ETIM 5.0	EC002034
ETIM 6.0	EC002034
ETIM 7.0	EC002034
ETIM 8.0	EC002034
UNSPSC 16.0901	39121545

Dimensional drawing (Dimensions in mm (inch))

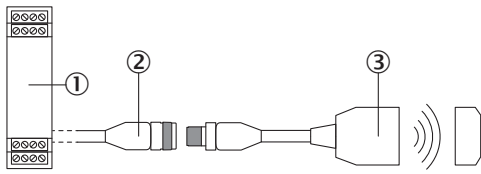


Pinouts



3	N/C contact
4	N/C contact
7	N/C contact
8	N/C contact
5	LED + (E-Stop)
6	LED - (E-Stop)
1	not connected
2	not connected

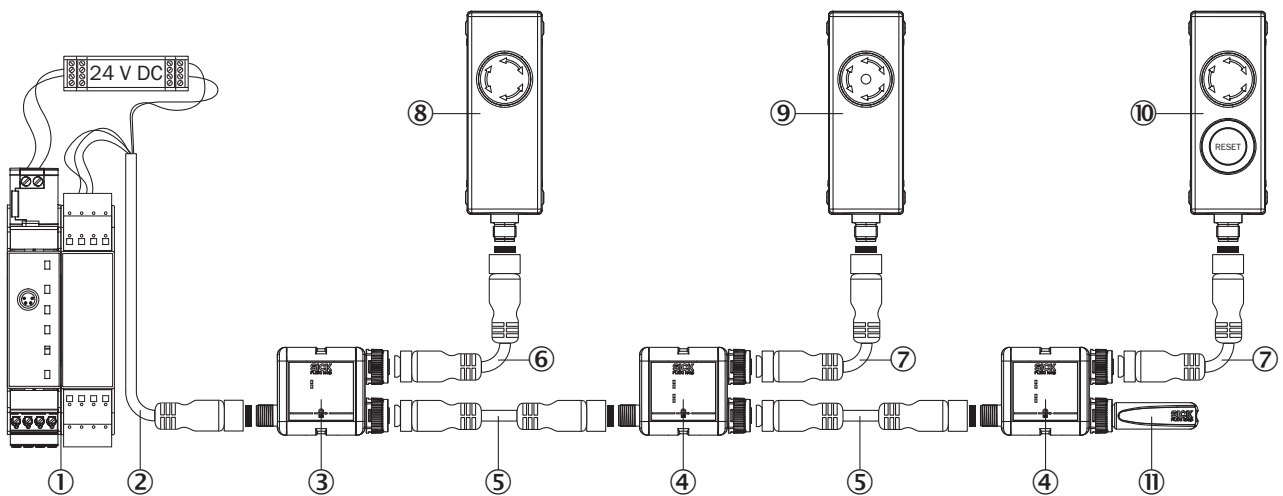
Connection single sensor



- ① Safe evaluation unit
- ② Connecting cable with M12 female connector, 8-pin and flying leads (e.g. YF2A18-xxxUA5LEAX)
- ③ ES11-Sxxx8 emergency stop pushbutton

Series connection

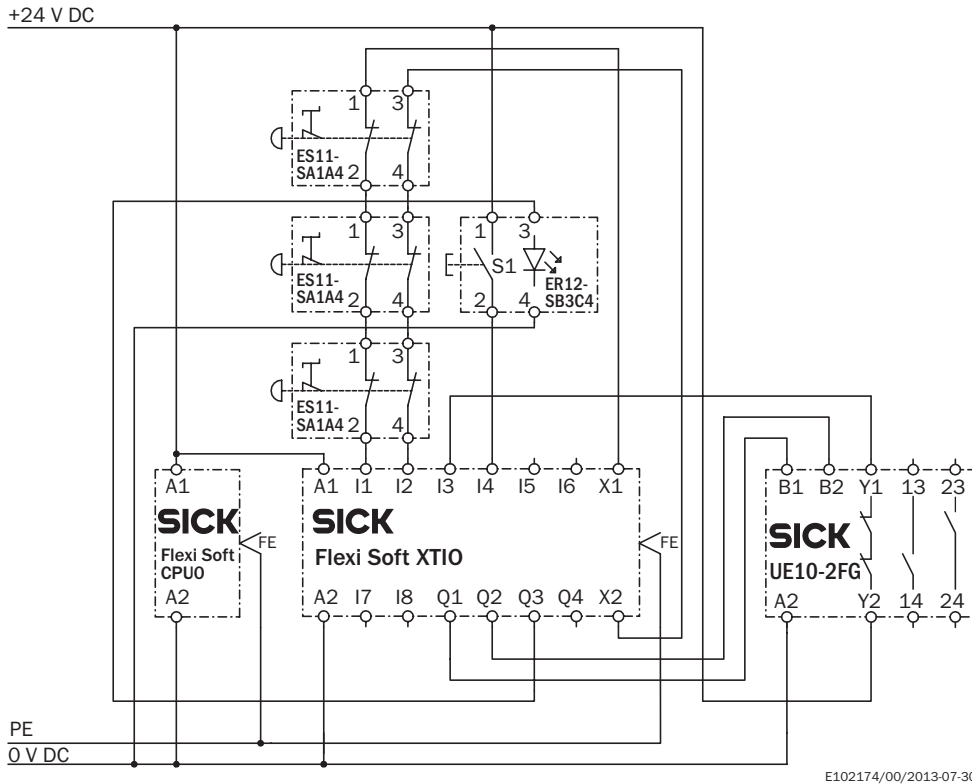
Series connection with Flexi Loop (with diagnostics)



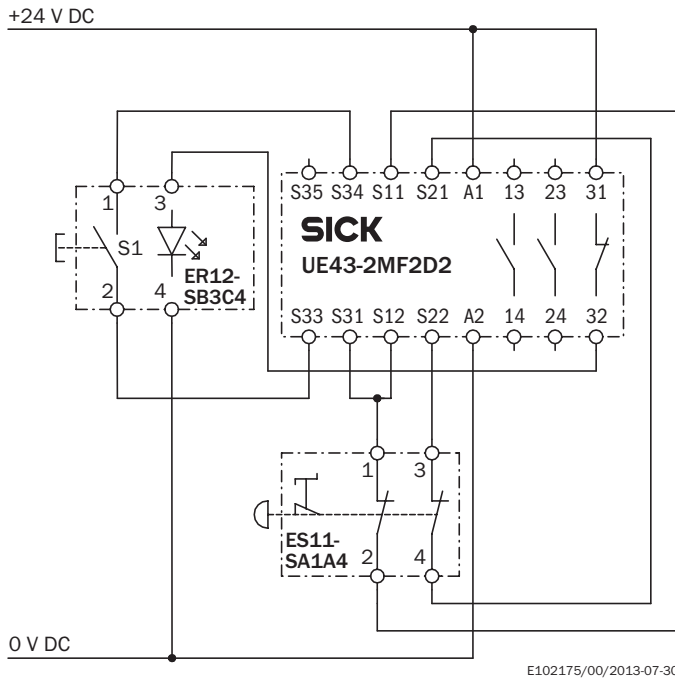
- ① Flexi Soft safety controller
- ② Connecting cable with M12 female connector, 5-pin and flying leads (e.g., YF2A15-xxxVB5XLEAX)
- ③ FLN-EMSS0000105 Flexi Loop node
- ④ FLN-EMSS1100108 Flexi Loop node
- ⑤ Connection cable with 5-pin, M12 male connector and 5-pin, M12 female connector (e.g., YF2A15-xxxUB5M2A15)
- ⑥ Connection cable with 4-pin, M12 male connector and 4-pin, M12 female connector (e.g., YF2A14-xxxVB3M2A14)
- ⑦ Connection cable with 8-pin, M12 male connector and 8-pin, M12 female connector (e.g., YF2A18-xxxUA5M2A18)
- ⑧ ES11-SA1A4 emergency stop pushbutton
- ⑨ ES11-SA2B8 emergency stop pushbutton
- ⑩ ES11-SC4D8 emergency stop pushbutton
- ⑪ FLT-TERM00001 Flexi Loop terminating element

Connection diagram

ER12 reset pushbutton and series connection of three ES11 emergency stop pushbutton to a Flexi Soft safety controller






ER12 reset pushbutton and ES11 emergency stop pushbutton to UE43 safety relay



Recommended accessories

Other models and accessories → www.sick.com/ES11

	Brief description	Type	Part no.
Others			
	<ul style="list-style-type: none"> • Connection type head A: Female connector, M12, 8-pin, straight, A-coded • Connection type head B: Flying leads • Signal type: Sensor/actuator cable • Cable: 5 m, 8-wire, PUR, halogen-free • Description: Sensor/actuator cable, unshielded • Application: Uncontaminated zones, Zones with oils and lubricants, Robot, Drag chain operation 	YF2A18-050UA5XLEAX	2095653
	<ul style="list-style-type: none"> • Connection type head A: Female connector, M12, 8-pin, straight, A-coded • Connection type head B: Flying leads • Signal type: Sensor/actuator cable • Cable: 10 m, 8-wire, PUR, halogen-free • Description: Sensor/actuator cable, unshielded • Application: Uncontaminated zones, Zones with oils and lubricants, Robot, Drag chain operation 	YF2A18-100UA5XLEAX	2095654
	<ul style="list-style-type: none"> • Connection type head A: Female connector, M12, 8-pin, straight, A-coded • Connection type head B: Flying leads • Signal type: Sensor/actuator cable • Cable: 15 m, 8-wire, PUR, halogen-free • Description: Sensor/actuator cable, unshielded • Application: Uncontaminated zones, Zones with oils and lubricants, Robot, Drag chain operation 	YF2A18-150UA5XLEAX	2095679

SICK AT A GLANCE

SICK is one of the leading manufacturers of intelligent sensors and sensor solutions for industrial applications. A unique range of products and services creates the perfect basis for controlling processes securely and efficiently, protecting individuals from accidents and preventing damage to the environment.

We have extensive experience in a wide range of industries and understand their processes and requirements. With intelligent sensors, we can deliver exactly what our customers need. In application centers in Europe, Asia and North America, system solutions are tested and optimized in accordance with customer specifications. All this makes us a reliable supplier and development partner.

Comprehensive services complete our offering: SICK LifeTime Services provide support throughout the machine life cycle and ensure safety and productivity.

For us, that is “Sensor Intelligence.”

WORLDWIDE PRESENCE:

Contacts and other locations –www.sick.com