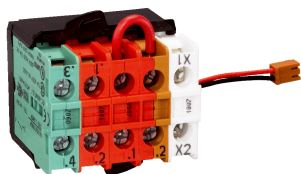


ES21-CH2111

ES21

SAFETY COMMAND DEVICES

SICK
Sensor Intelligence.



Ordering information

Type	Part no.
ES21-CH2111	6036143

Product consists of UL certified components (ES21-XC050, ES21-CS0001, ES21-CS0010, ES21-CS0100; ES21-CS1000). See UL certificate number: E198242

Other models and accessories → www.sick.com/ES21



Detailed technical data

Features

Positive action N/C contacts	2
N/O contacts	1
Contact module for panel mount version	✓
Emergency stop pushbutton (illuminable)	✓

Safety-related parameters

B_{10d} parameter	250.000 switching cycles
----------------------------------	--------------------------

Functions

Safe series connections	None, only individual wiring (with diagnostics)
--------------------------------	---

Interfaces

Connection type	
Conductor cross section	≤ 2.5 mm ²
Contact	Screw connection
Illumination connection	✓

Electrical data

Operating data

Protection class	II (EN 50178)
Switching principle	Slow action switching element
Positive action N/C contacts	2
N/O contacts	1
Usage category	AC-15/DC-13 (EN 60947-5-1)
Rated operating current (voltage)	3 A (250 V AC) 2 A (24 V DC)
Rated insulation voltage U_i	600 V
Switching voltage	≥ 5 V DC
Switching current	≥ 1 mA
Electrical life	1 x 10 ⁶ switching cycles ¹⁾

¹⁾ At rated load.

Illumination

Supply voltage V_s	24 V DC (12 V DC ... 30 V DC)
Power consumption	8 mA ... 44 mA
Life time	70.000 h ¹⁾ 100.000 h ²⁾

¹⁾ At 55 °C, 20 mA.

²⁾ At 25 °C, 20 mA.

Mechanical data

Weight	95 g
Mounting version	Panel mount version
Mechanical life	1 x 10 ⁶ switching cycles

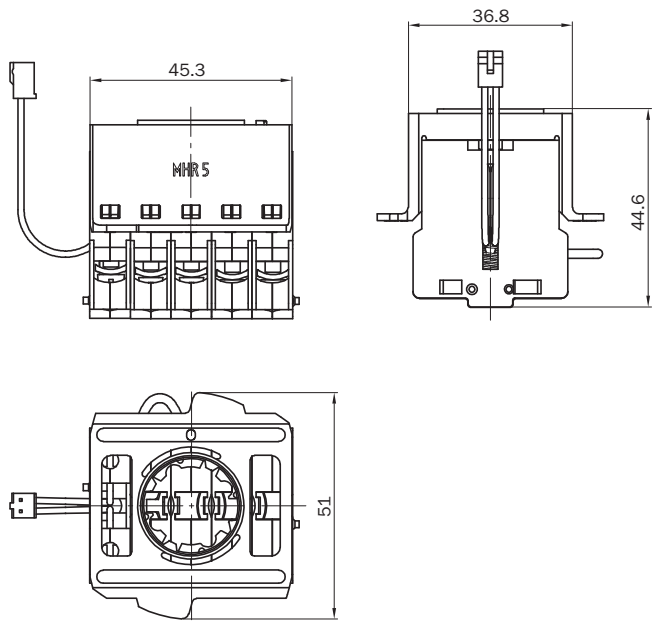
Ambient data

Ambient operating temperature	-30 °C ... +85 °C
Storage temperature	-50 °C ... +85 °C

Classifications

ECLASS 5.0	27371228
ECLASS 5.1.4	27371228
ECLASS 6.0	27371244
ECLASS 6.2	27371244
ECLASS 7.0	27371244
ECLASS 8.0	27371244
ECLASS 8.1	27371244
ECLASS 9.0	27371244
ECLASS 10.0	27371291
ECLASS 11.0	27371291
ECLASS 12.0	27371291
ETIM 5.0	EC002034
ETIM 6.0	EC002034
ETIM 7.0	EC002034
ETIM 8.0	EC002034
UNSPSC 16.0901	39121545

Dimensional drawing (Dimensions in mm (inch))



SICK AT A GLANCE

SICK is one of the leading manufacturers of intelligent sensors and sensor solutions for industrial applications. A unique range of products and services creates the perfect basis for controlling processes securely and efficiently, protecting individuals from accidents and preventing damage to the environment.

We have extensive experience in a wide range of industries and understand their processes and requirements. With intelligent sensors, we can deliver exactly what our customers need. In application centers in Europe, Asia and North America, system solutions are tested and optimized in accordance with customer specifications. All this makes us a reliable supplier and development partner.

Comprehensive services complete our offering: SICK LifeTime Services provide support throughout the machine life cycle and ensure safety and productivity.

For us, that is “Sensor Intelligence.”

WORLDWIDE PRESENCE:

Contacts and other locations –www.sick.com