



ES21-MB16S2

ES21

SAFETY COMMAND DEVICES

SICK
Sensor Intelligence.



Ordering information

Type	Part no.
ES21-MB16S2	6082622

Other models and accessories → www.sick.com/ES21



Detailed technical data

Features

Positive action N/C contacts	2
N/O contacts	0
Actuation directions	1
Release type	Rotary release

Safety-related parameters

B_{10d} parameter	2.5 x 10 ⁵ switching cycles
----------------------------------	--

Functions

Safe series connections	With Flexi Loop (with diagnostics)
--------------------------------	------------------------------------

Interfaces

Connection type	Cable with male connector M12, 4-pin, A-coded
Length of cable	25 cm
Cable diameter	4.7 mm
Conductor cross section	0.34 mm ²
Bend radius (with fixed installation)	> 10 x cable diameter
Bend radius (with moving cable)	> 5 x cable diameter
Cable material	PUR
Conductor material	Copper

Electrical data

Operating data

Switching principle	Slow action switching element
Positive action N/C contacts	2
N/O contacts	0
Usage category	AC-15/DC-13 (EN 60947-5-1)
Rated operating current (voltage)	4 A (35 V AC) 2 A (35 V DC)
Rated insulation voltage U_i	250 V
Electrical life	50.000 switching cycles ¹⁾

¹⁾ At rated load.

Mechanical data

Weight	45 g
Housing material	Plastic
Mounting version	Panel mount version
Mechanical life	50.000 switching cycles

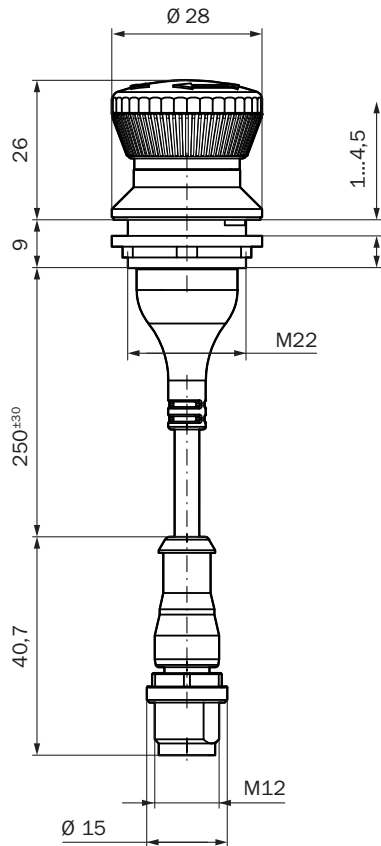
Ambient data

Enclosure rating	IP65, IP67 (IEC 60529)
Ambient operating temperature	-25 °C ... +70 °C
Storage temperature	-40 °C ... +80 °C

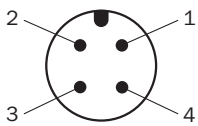
Classifications

ECLASS 5.0	27371228
ECLASS 5.1.4	27371228
ECLASS 6.0	27371244
ECLASS 6.2	27371244
ECLASS 7.0	27371244
ECLASS 8.0	27371244
ECLASS 8.1	27371244
ECLASS 9.0	27371244
ECLASS 10.0	27371244
ECLASS 11.0	27371244
ETIM 5.0	EC002034
ETIM 6.0	EC002034
ETIM 7.0	EC002034
ETIM 8.0	EC002034
UNSPSC 16.0901	39121545

Dimensional drawing (Dimensions in mm (inch))



Pinouts



Pin	Description
1 - 2	Normally closed
3 - 4	Normally closed

For details see operating instructions

SICK AT A GLANCE

SICK is one of the leading manufacturers of intelligent sensors and sensor solutions for industrial applications. A unique range of products and services creates the perfect basis for controlling processes securely and efficiently, protecting individuals from accidents and preventing damage to the environment.

We have extensive experience in a wide range of industries and understand their processes and requirements. With intelligent sensors, we can deliver exactly what our customers need. In application centers in Europe, Asia and North America, system solutions are tested and optimized in accordance with customer specifications. All this makes us a reliable supplier and development partner.

Comprehensive services complete our offering: SICK LifeTime Services provide support throughout the machine life cycle and ensure safety and productivity.

For us, that is “Sensor Intelligence.”

WORLDWIDE PRESENCE:

Contacts and other locations –www.sick.com