



FLA-YCON00001

Flexi Loop

SAFE SERIES CONNECTION / SAFETY CONTROLLERS

SICK
Sensor Intelligence.



Ordering information

Type	Part no.
FLA-YCON00001	2074733

Other models and accessories → www.sick.com/Flexi_Loop



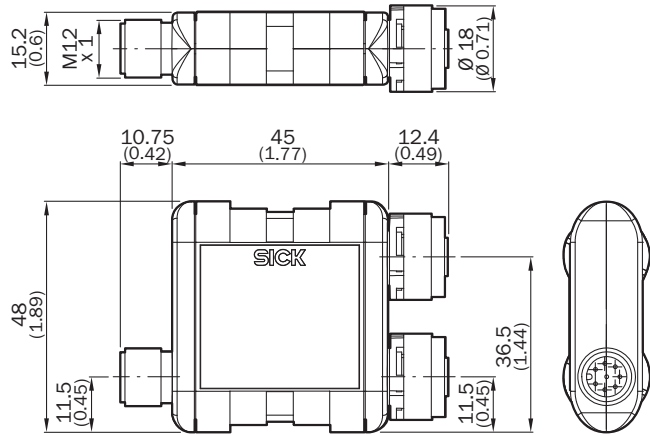
Detailed technical data

Classifications

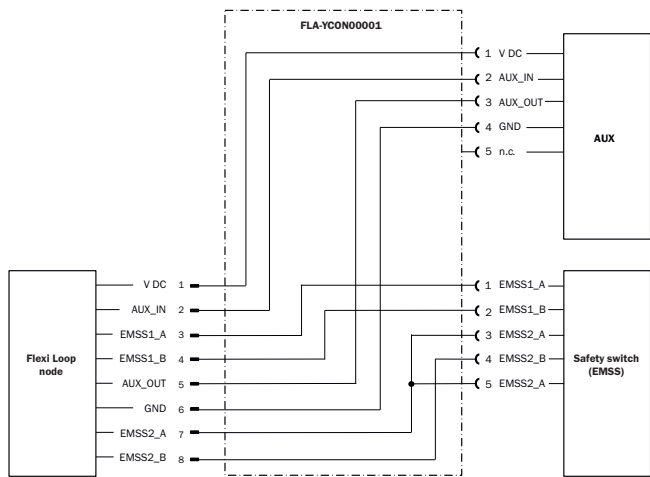
ECLASS 5.0	27371990
ECLASS 5.1.4	27371990
ECLASS 6.0	27371819
ECLASS 6.2	27371819
ECLASS 7.0	27371819
ECLASS 8.0	27371819
ECLASS 8.1	27371819
ECLASS 9.0	27371819
ECLASS 10.0	27371819
ECLASS 11.0	27371819
ECLASS 12.0	27371819
ETIM 5.0	EC001449
ETIM 6.0	EC001449
ETIM 7.0	EC001449
ETIM 8.0	EC001449
UNSPSC 16.0901	41113704

Dimensional drawing (Dimensions in mm (inch))

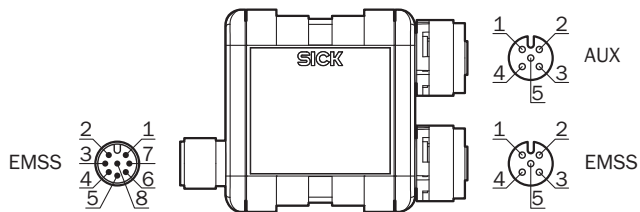
FLA-YCON00001



Connection diagram




PIN assignment



Con- nec- tion	Pin	Sig- nal	Description	Col- or-cod- ed con- nect- ing cable
EMSS	1	VDC	24 V supply voltage	White
	2	AUX_IN	Non-safe input	Brown
	3	EMSS1_A	Switching contact 1, connection A	Green
	4	EMSS1_E	Switching contact 1, connection B	Yellow
	5	AUX_OUT	Non-safe output	Gray
	6	GND	GND supply voltage	Pink
	7	EMSS2_A	Switching contact 2, connection A	Blue
	8	EMSS2_E	Switching contact 2, connection B	Red
AUX	1	VDC	24 V supply voltage	
	2	AUX_IN	Non-safe input	
	3	AUX_OUT	Non-safe output	
	4	GND	GND supply voltage	
	5	NC	Not connected	
EMSS	1	EMSS1_A	Switching contact 1, connection A	Brown
	2	EMSS1_E	Switching contact 1, connection B	White
	3	EMSS2_A	Switching contact 2, connection A	Blue
	4	EMSS2_E	Switching contact 2, connection B	Black
	5	EMSS2_A	Switching contact 2, connection A	Gray
EMSS pin 3 and EMSS pin 5 can be used as alternatives.				
The colors listed apply when using pre-assembled cables (no guarantee).				

Recommended accessories

Other models and accessories → www.sick.com/Flexi_Loop

	Brief description	Type	Part no.
Mounting brackets and plates			
	1 piece, Flexi Loop fixing clip	C-Fix bracket	2068830

SICK AT A GLANCE

SICK is one of the leading manufacturers of intelligent sensors and sensor solutions for industrial applications. A unique range of products and services creates the perfect basis for controlling processes securely and efficiently, protecting individuals from accidents and preventing damage to the environment.

We have extensive experience in a wide range of industries and understand their processes and requirements. With intelligent sensors, we can deliver exactly what our customers need. In application centers in Europe, Asia and North America, system solutions are tested and optimized in accordance with customer specifications. All this makes us a reliable supplier and development partner.

Comprehensive services complete our offering: SICK LifeTime Services provide support throughout the machine life cycle and ensure safety and productivity.

For us, that is “Sensor Intelligence.”

WORLDWIDE PRESENCE:

Contacts and other locations –www.sick.com