



FLT-TERM00001

Flexi Loop

SAFE SERIES CONNECTION / SAFETY CONTROLLERS

SICK
Sensor Intelligence.



Ordering information

Type	Part no.
FLT-TERM00001	1061716

Other models and accessories → www.sick.com/Flexi_Loop



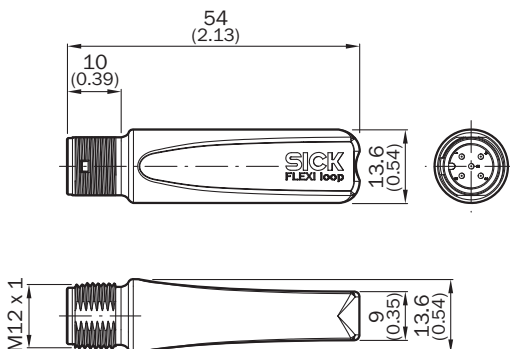
Detailed technical data

Classifications

ECLASS 5.0	27371990
ECLASS 5.1.4	27371990
ECLASS 6.0	27371819
ECLASS 6.2	27371819
ECLASS 7.0	27371819
ECLASS 8.0	27371819
ECLASS 8.1	27371819
ECLASS 9.0	27371819
ECLASS 10.0	27371819
ECLASS 11.0	27371819
ECLASS 12.0	27371819
ETIM 5.0	EC001449
ETIM 6.0	EC001449
ETIM 7.0	EC001449
ETIM 8.0	EC001449
UNSPSC 16.0901	41113704


Dimensional drawing (Dimensions in mm (inch))

FLT-TERM00001



Recommended accessories

Other models and accessories → www.sick.com/Flexi_Loop

	Brief description	Type	Part no.
Mounting brackets and plates			
	1 piece, Flexi Loop fixing clip	C-Fix bracket	2068830

SICK AT A GLANCE

SICK is one of the leading manufacturers of intelligent sensors and sensor solutions for industrial applications. A unique range of products and services creates the perfect basis for controlling processes securely and efficiently, protecting individuals from accidents and preventing damage to the environment.

We have extensive experience in a wide range of industries and understand their processes and requirements. With intelligent sensors, we can deliver exactly what our customers need. In application centers in Europe, Asia and North America, system solutions are tested and optimized in accordance with customer specifications. All this makes us a reliable supplier and development partner.

Comprehensive services complete our offering: SICK LifeTime Services provide support throughout the machine life cycle and ensure safety and productivity.

For us, that is “Sensor Intelligence.”

WORLDWIDE PRESENCE:

Contacts and other locations –www.sick.com