



# FTS-I200F14A

T-Easic FTS

FLOW SENSORS

**SICK**  
Sensor Intelligence.



Illustration may differ



**IO-Link**



### Ordering information

Type	Part no.
FTS-I200F14A	1091145

Other models and accessories → [www.sick.com/T-Easic\\_FTS](http://www.sick.com/T-Easic_FTS)

### Detailed technical data

#### Features

<b>Measurement principle</b>	Calorimetric measurement process
<b>Medium</b>	Water and oil-based liquids
<b>Pipe diameters</b>	≥ 25 mm <sup>1)</sup>
<b>Measuring range</b>	3 cm/s ... 300 cm/s, Water 3 cm/s ... 300 cm/s, Oil A / Oil B 3 cm/s ... 600 cm/s, Taught-in media <sup>2)</sup>
<b>Process temperature</b>	-40 °C ... +150 °C <sup>3)</sup>
<b>Process pressure</b>	-1 bar ... 100 bar, 40 bar (with SICK T-connector DN15, DN25), 25 bar (with SICK T-connector DN40), 20 bar (with SICK T-connector DN50) <sup>4)</sup>
<b>Communication interface</b>	IO-Link, IO-Link V1.1, COM3 (230.4 kbit/s)
<b>Temperature measurement</b>	✓
<b>Indication</b>	✓ OLED + 3 status LEDs

<sup>1)</sup> Place probe tip in the center of the pipe to ensure the highest measurement accuracy.

<sup>2)</sup> The measuring range limit value depends on the medium used.

<sup>3)</sup> At medium temperatures above 100 °C, the distance between the bottom of the housing and the top of the process connection adapter must be at least 25 mm. If a SICK process connection adapter is used, the 60 mm probe cannot be used at process temperatures above 100 °C because the distances cannot be maintained.

<sup>4)</sup> According to the Pressure Equipment Directive 2014/68 / EU: Good engineering practice, according to Article 13 for media of media group 2 (other substances).

## Performance

<b>Inlet zone</b>	5 x DN
<b>Output zone</b>	3 x DN
<b>Measurement accuracy</b>	$\pm 7\%$ From measured value + 2% of measuring range end value <sup>1)</sup>
<b>Repeatability</b>	< 1 cm/s <sup>1)</sup>
<b>Resolution</b>	0.01 m/s Speed; 0.1 L/min volume; 0.1% relative (via IO-Link)
<b>Temperature drift</b>	< 0.5 cm / (s*K) <sup>1)</sup>
<b>Response time</b>	< 2.5 s <sup>2)</sup>
<b>Temperature measurement</b>	
Measurement accuracy (temperature)	$\pm 1\text{ }^{\circ}\text{C}$
Resolution (Temperature)	< 0.1 $^{\circ}\text{C}$
Response time (temperature)	< 5 s <sup>3)</sup>
<b>Operating mode</b>	Relative speed (%), Volume flow and total volume, Relative teach (%)

<sup>1)</sup> Under reference conditions with water, diameter of inner pipe 25 mm, vertical installation in pipe, probe tip in tube center, fully-filled pipe without air bubbles, speed from 10 cm/s to 100 cm/s, inlet zone > 30 cm, outlet zone > 30 cm, 26  $^{\circ}\text{C} \pm 1\text{ }^{\circ}\text{C}$ , 2 bar  $\pm 1$  bar.

<sup>2)</sup> Filter off.

<sup>3)</sup> Under reference conditions with water, pipe diameter 25 mm, vertical installation in pipe, tip in pipe center, fully-filled pipe without air bubbles, speed = 100 cm/s, inlet zone > 30 cm, outlet zone < 30 cm, 26  $^{\circ}\text{C} \pm 1\text{ }^{\circ}\text{C}$ , 2 bar  $\pm 1$  bar.

## Electronics

<b>Supply voltage</b>	9 V DC ... 30 V DC <sup>1)</sup>
<b>Power consumption</b>	< 2 W at 24 V DC (without load on the outputs) < 8 W At maximum load
<b>Initialization time</b>	$\leq 5$ s $\leq 10$ s (IO-Link)
<b>Protection class</b>	III
<b>Connection type</b>	M12 round connector x 1, 4-pin
<b>Output signal</b>	2 push-pull digital outputs (Q2 configurable for IO-Link; Q2 configurable as pulse output / digital input) for flow and temperature
<b>Output current</b>	< 100 mA <sup>2)</sup>
<b>Inductive load</b>	1 H
<b>Capacitive load</b>	100 nF (2.5 nF, IO-Link mode)
<b>EMC</b>	EN 61326-1, EN 61326-2-3
<b>Digital input limit</b>	HIGH voltage dependent on Uv LOW voltage < 4.0 V
<b>MTTF</b>	> 200 years

<sup>1)</sup> All connections are reverse polarity and overload protected. Q1 and Q2 are short-circuit protected. Use an energy-limited circuit for the voltage supply as per UL61010-1 3. Outp.

<sup>2)</sup> Per output.

## Mechanics

<b>Process connection</b>	Without process connection (adapter needed for installation)
<b>Wetted parts</b>	Stainless steel 1.4404 (Ra $\leq 0,8\text{ }\mu\text{m}$ )
<b>Housing material</b>	VISTAL <sup>®</sup> (PA66+PA6I GF50)

<sup>1)</sup> Only with M12 male connector attached / not UL-tested.

<b>Enclosure rating</b>	IP67 <sup>1)</sup>
<b>Weight</b>	87 g
<b>Probe diameter</b>	8 mm
<b>Probe length</b>	200 mm
<b>Minimum immersion length</b>	12 mm
<b>Distance to pipe wall</b>	10 mm

<sup>1)</sup> Only with M12 male connector attached / not UL-tested.

### Ambient data

<b>Ambient operating temperature</b>	-40 °C ... +70 °C <sup>1)</sup>
<b>Ambient temperature, storage</b>	-40 °C ... +80 °C

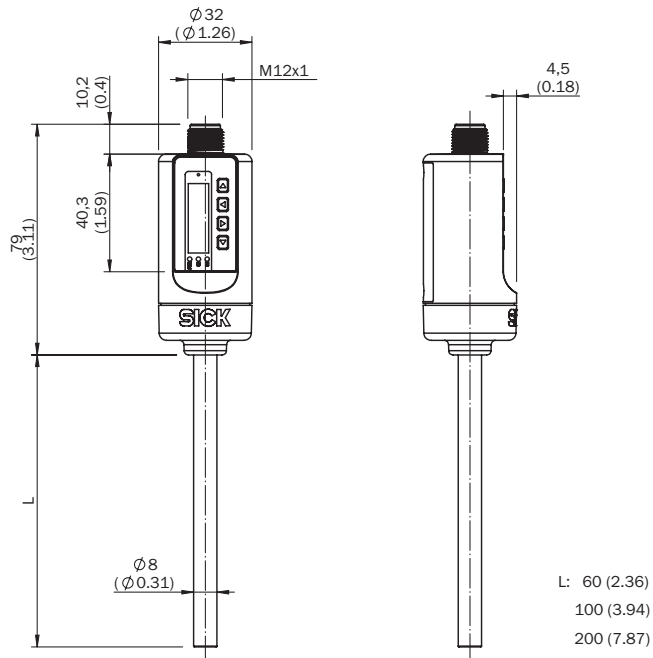
<sup>1)</sup> According to the UL approval: degree of contamination 3 (UL61010-1: 2012-05); air humidity: 80% at temperatures up to 31 °C; installation altitude: max. 3,000 m above sea level.

### Classifications

<b>ECLASS 5.0</b>	27273101
<b>ECLASS 5.1.4</b>	27273101
<b>ECLASS 6.0</b>	27273101
<b>ECLASS 6.2</b>	27273101
<b>ECLASS 7.0</b>	27273101
<b>ECLASS 8.0</b>	27273101
<b>ECLASS 8.1</b>	27273101
<b>ECLASS 9.0</b>	27273101
<b>ECLASS 10.0</b>	27273101
<b>ECLASS 11.0</b>	27273101
<b>ECLASS 12.0</b>	27274802
<b>ETIM 5.0</b>	EC002580
<b>ETIM 6.0</b>	EC002580
<b>ETIM 7.0</b>	EC002580
<b>ETIM 8.0</b>	EC002580
<b>UNSPSC 16.0901</b>	41112501

Dimensional drawing (Dimensions in mm (inch))

FTS Industrial



Recommended services

Additional services → [www.sick.com/T-Easic\\_FTS](http://www.sick.com/T-Easic_FTS)

	Type	Part no.
Function Block Factory		
<ul style="list-style-type: none"> <li><b>Description:</b> The Function Block Factory supports common programmable logic controllers (PLCs) from various manufacturers, such as Siemens, Beckhoff, Rockwell Automation and B&amp;R. More information on the FBF can be found <a _blank"="" href="https://fbf.cloud.sick.com target=">here</a>.</li> <li><b>Note:</b> You can configure your function block at <a _blank"="" href="https://fbf.cloud.sick.com target=">Function Block Factory</a>. As a login please use your SICK ID.</li> </ul>	Function Block Factory	On request

## SICK AT A GLANCE

SICK is one of the leading manufacturers of intelligent sensors and sensor solutions for industrial applications. A unique range of products and services creates the perfect basis for controlling processes securely and efficiently, protecting individuals from accidents and preventing damage to the environment.

We have extensive experience in a wide range of industries and understand their processes and requirements. With intelligent sensors, we can deliver exactly what our customers need. In application centers in Europe, Asia and North America, system solutions are tested and optimized in accordance with customer specifications. All this makes us a reliable supplier and development partner.

Comprehensive services complete our offering: SICK LifeTime Services provide support throughout the machine life cycle and ensure safety and productivity.

For us, that is “Sensor Intelligence.”

## WORLDWIDE PRESENCE:

Contacts and other locations –[www.sick.com](http://www.sick.com)