



FX0-GENT00000

Flexi Soft

SAFETY CONTROLLERS

SICK
Sensor Intelligence.



Ordering information

Fieldbus, industrial network	Type	Part no.
EtherNet/IP™	FX0-GENT00000	1044072

Other models and accessories → www.sick.com/Flexi_Soft



Detailed technical data

Features

Module	Gateway
Fieldbus, industrial network	EtherNet/IP™, TCP/IP sockets
Configuration method	Via software (Flexi Soft Designer, Safe EFI-pro System: Safety Designer)

Interfaces

Fieldbus, industrial network	EtherNet/IP™, TCP/IP sockets
Integrated Ethernet switch	3-port layer-2 managed switch with Auto-MDI-X for automatic detection of crossed Ethernet cable
Data transmission rate	10 Mbit/s, 10Base-T 100 Mbit/s, 100Base-T autosensing
Connection type	2 x female connector, RJ-45

Electrical data

Protection class	III (EN 61140)
Voltage supply	Via FLEXBUS+
Internal power consumption	≤ 3 W ¹⁾

¹⁾ Via FLEXBUS+.

Mechanical data

Dimensions (W x H x D)	22.5 mm x 96.5 mm x 120.6 mm
Weight	125 g (± 10 %)

Ambient data

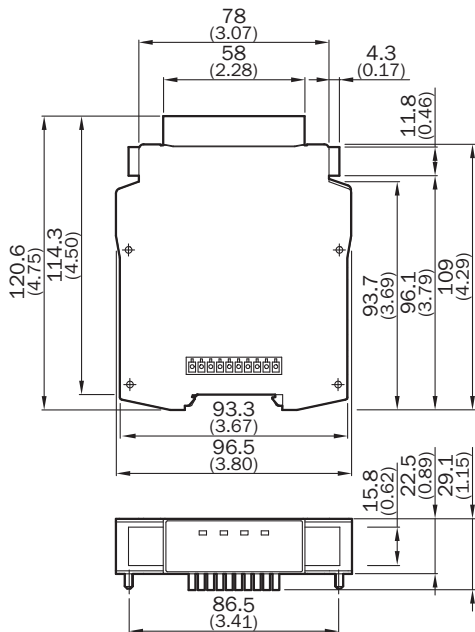
Enclosure rating	IP20 (EN 60529)
Ambient operating temperature	-25 °C ... +55 °C
Storage temperature	-25 °C ... +70 °C
Air humidity	≤ 95 %, Non-condensing

Classifications

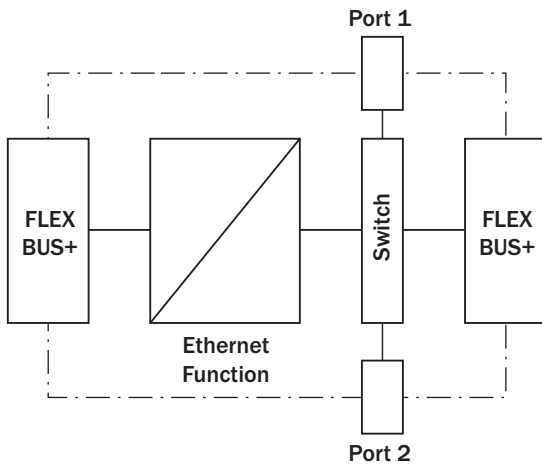
ECLASS 5.0	27243001
ECLASS 5.1.4	27243101
ECLASS 6.0	27243101
ECLASS 6.2	27243101
ECLASS 7.0	27243101
ECLASS 8.0	27243101
ECLASS 8.1	27243101
ECLASS 9.0	27243101
ECLASS 10.0	27243101
ECLASS 11.0	27243101
ECLASS 12.0	27243101
ETIM 5.0	EC001449
ETIM 6.0	EC001449
ETIM 7.0	EC001449
ETIM 8.0	EC001449
UNSPSC 16.0901	32151705

Dimensional drawing (Dimensions in mm (inch))

FX0-GENT, FX0-GMOD, FX0-GPNT






Connection diagram



Recommended accessories

Other models and accessories → www.sick.com/Flexi_Soft

	Brief description	Type	Part no.
Others			
	<ul style="list-style-type: none"> Sub product family: SIM1000 FX Product category: Programmable devices Supported products: 2D and 3D LiDAR sensors, incremental and absolute encoders, Image-based code readers, Fixed mount barcode scanners, RFID read/write device, displacement measurement sensors, Photoelectric sensors, Flexi Soft main module Processor: Dual-core ARM Cortex-A9 CPU with NEON accelerator Toolkit: SICK algorithm API Further functions: FPGA for I/O handling Connections: Terminal block 1-4, Ethernet, FLEXBUS+ Enclosure rating: IP20 	SIM1000-0POB110	1097817
Safety switching amplifier			
	<ul style="list-style-type: none"> Applications: Output expansion module for OSSDs Compatible sensor types: Safety sensors with OSSDs Connection type: Front connector with spring terminals Restart interlock: no External device monitoring (EDM): Via path Outputs: 2 enabling current paths (safe), 1 feedback current path (for use as external device monitoring, not safe) Housing width: 18 mm 	RLY3-OSSD100	1085343
	<ul style="list-style-type: none"> Applications: Output expansion module for OSSDs Compatible sensor types: Safety sensors with OSSDs Connection type: Front connector with spring terminals Restart interlock: no External device monitoring (EDM): Via path Outputs: 4 enabling current paths (safe), 1 feedback current path (for use as external device monitoring, not safe), 1 signaling current path (not safe) Housing width: 28 mm 	RLY3-OSSD400	1099971

SICK AT A GLANCE

SICK is one of the leading manufacturers of intelligent sensors and sensor solutions for industrial applications. A unique range of products and services creates the perfect basis for controlling processes securely and efficiently, protecting individuals from accidents and preventing damage to the environment.

We have extensive experience in a wide range of industries and understand their processes and requirements. With intelligent sensors, we can deliver exactly what our customers need. In application centers in Europe, Asia and North America, system solutions are tested and optimized in accordance with customer specifications. All this makes us a reliable supplier and development partner.

Comprehensive services complete our offering: SICK LifeTime Services provide support throughout the machine life cycle and ensure safety and productivity.

For us, that is “Sensor Intelligence.”

WORLDWIDE PRESENCE:

Contacts and other locations –www.sick.com