



GSE6-CC021K00

FlexChain

SWITCHING AUTOMATION LIGHT GRIDS

SICK
Sensor Intelligence.



Illustration may differ



Ordering information

| Type | Part no. |
|---------------|----------|
| GSE6-CC021K00 | 1098786 |

Only in conjunction with FlexChain host

[1091608](https://www.sick.com/1091608) | FC1A-AZ2A1A: Standard I/O

[1091609](https://www.sick.com/1091609) | FC1A-BZ2A1A: Advanced I/O

[1091610](https://www.sick.com/1091610) | FC1A-CZ2A1A: RS-485

[1091611](https://www.sick.com/1091611) | FC1A-DZ2A1A: CANopen

Other models and accessories → www.sick.com/FlexChain

Detailed technical data

Features

| | |
|-------------------------|--------------------------------------|
| Device version | FlexChain Guest |
| Sensor principle | Sender/receiver Light grid system |

Mechanics/electronics

| | |
|-------------------------------------|--|
| Light source | PinPoint LED, Infrared light |
| Light spot size (distance) | Ø 375 mm (12 m) |
| Wave length | 850 nm |
| Supply voltage V_s | 12 V, via FlexChain (host) |
| Adjustment | Cable (Sensitivity) Via FlexChain (host) |
| Dimensions (W x H x D) | 12 mm x 31.5 mm x 21 mm |
| Connection type | Male connector M8, 4-pin, Cable with female connector, M8, 4-pin, 0.15 m |
| Housing material | Plastic (ABS) |
| Enclosure rating | IP65, IP67 |
| Protection class | III |
| Weight | Approx. 23 g |

Performance

| | |
|------------------------|------|
| Operating range | 15 m |
|------------------------|------|

Ambient data

| | |
|-----------------------------|--|
| Shock resistance | Single shocks 30 g, 11 ms 6 per axle, continuous shocks 25 g, 6 ms, 1,000 per axis |
| Vibration resistance | Sinusoidal oscillation 20-2,000 Hz 10 g, 3 h per axle |
| EMC | EN 61000-6-2, EN 61000-6-3 |

¹⁾ Sunlight.

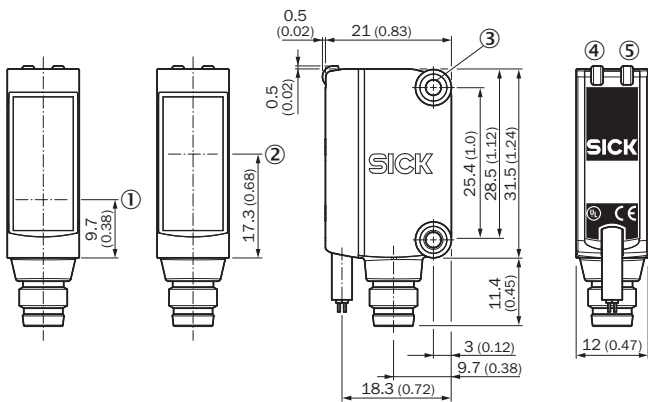
| | |
|--------------------------------------|---------------------------------|
| Ambient light immunity | Direct: 40,000 lx ¹⁾ |
| Ambient operating temperature | -25 °C ... +55 °C |
| Ambient temperature, storage | -25 °C ... +70 °C |

¹⁾ Sunlight.

Classifications

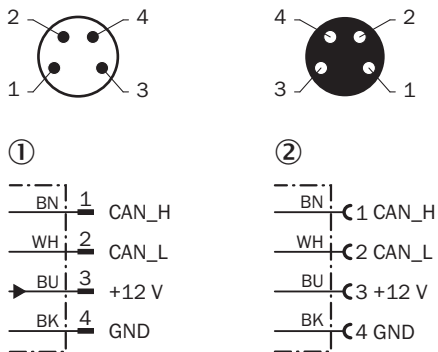
| | |
|-----------------------|----------|
| ECLASS 5.0 | 27270901 |
| ECLASS 5.1.4 | 27270901 |
| ECLASS 6.0 | 27270901 |
| ECLASS 6.2 | 27270901 |
| ECLASS 7.0 | 27270901 |
| ECLASS 8.0 | 27270901 |
| ECLASS 8.1 | 27270901 |
| ECLASS 9.0 | 27270901 |
| ECLASS 10.0 | 27270901 |
| ECLASS 11.0 | 27270901 |
| ECLASS 12.0 | 27270901 |
| ETIM 5.0 | EC002716 |
| ETIM 6.0 | EC002716 |
| ETIM 7.0 | EC002716 |
| ETIM 8.0 | EC002716 |
| UNSPSC 16.0901 | 39121528 |

Dimensional drawing (Dimensions in mm (inch))



- ① Center of optical axis, sender
- ② Center of optical axis, receiver
- ③ Threaded mounting hole M3
- ④ LED indicator green
- ⑤ LED indicator yellow

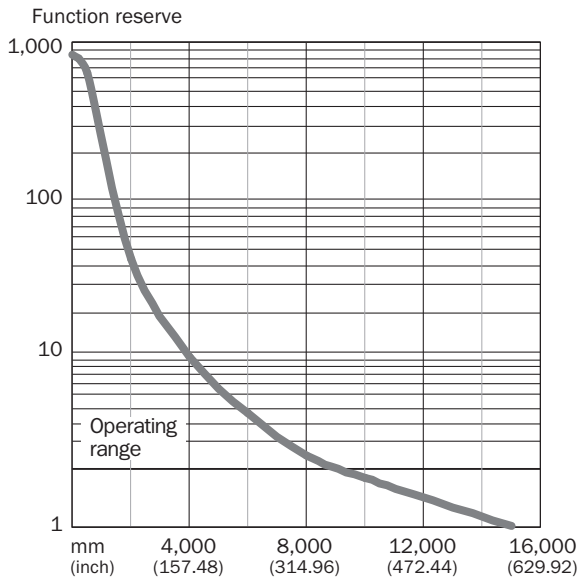
Connection type and diagram



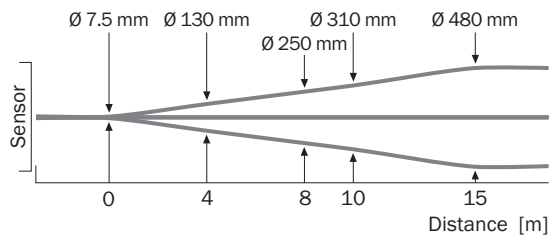
- ① Male connector M8, 4-pin
- ② Cable with female connector, M8, 4-pin

Sensing distance

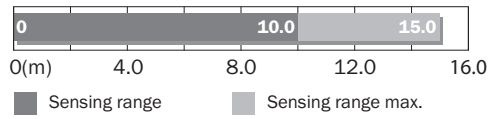
With GE6-P1111, GE6-N1111, GE6-P1111S63



Light spot size




Sensing range diagram



Recommended accessories

Other models and accessories → www.sick.com/FlexChain

| | Brief description | Type | Part no. |
|---|--------------------------|-----------|----------|
| Mounting brackets and plates | | | |
|  | Stainless steel (1.4301) | BEF-WN-G6 | 2062909 |

SICK AT A GLANCE

SICK is one of the leading manufacturers of intelligent sensors and sensor solutions for industrial applications. A unique range of products and services creates the perfect basis for controlling processes securely and efficiently, protecting individuals from accidents and preventing damage to the environment.

We have extensive experience in a wide range of industries and understand their processes and requirements. With intelligent sensors, we can deliver exactly what our customers need. In application centers in Europe, Asia and North America, system solutions are tested and optimized in accordance with customer specifications. All this makes us a reliable supplier and development partner.

Comprehensive services complete our offering: SICK LifeTime Services provide support throughout the machine life cycle and ensure safety and productivity.

For us, that is “Sensor Intelligence.”

WORLDWIDE PRESENCE:

Contacts and other locations –www.sick.com