



# Hardware Kit

Safe Robotics Area Protection

SAFETY SYSTEMS FOR ROBOTS

**SICK**  
Sensor Intelligence.



### Ordering information

#### sBot Speed CIP

Safety controller included	Safety laser scanner included	Protective field range	Product type	Type	Part no.
Flexi Soft	microScan3 Core - EFI-pro	5.5 m	Hardware	Hardware Kit	1105347

**Included in delivery:** FX3-GEPR00000 (1), FX3-MPL000001 (1), FX3-CPU000000 (1), FX3-XTIO84002 (1), MICS3-ABAZ55ZA1P01 (1)

Hardware kit (part number: 1105347) and software (part number: 1614143 for FANUC or part number: 1614144 for KUKA) have to be ordered for the sBot Speed CIP.

For the accessories required for commissioning as well as additional required components, see Chapter 14 of the sBot Speed CIP – FA Operating Instructions for FANUC, or the sBot Speed CIP – KU Operating Instructions for KUKA.

Other models and accessories → [www.sick.com/Safe\\_Robotics\\_Area\\_Protection](http://www.sick.com/Safe_Robotics_Area_Protection)

### Detailed technical data

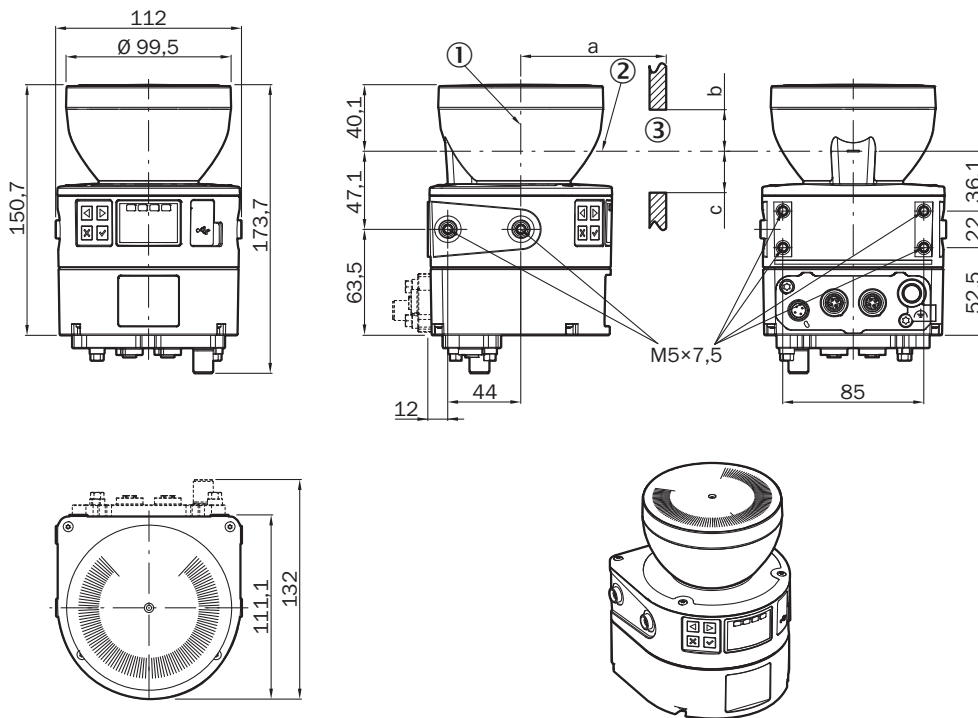
#### Features

<b>Variant</b>	sBot Speed CIP
<b>Product type</b>	Hardware
<b>Robot controller</b>	FANUC: R-30iB Plus, KUKA: KR C4
<b>Stopping process of the robot</b>	With speed reduction
<b>Robot restart</b>	Automatic
<b>Interfaces</b>	
Communication interface	EtherNet/IP™ CIP Safety™
<b>Safe state in the event of a fault</b>	The safety outputs via the network are logic 0.
<b>Safety laser scanners</b>	microScan3 Core - EFI-pro
Protective field range	5.5 m
<b>Safety task</b>	Hazardous area protection
<b>Ambient operating temperature</b>	-10 °C ... +50 °C
<b>Storage temperature</b>	-25 °C ... +70 °C
<b>Air humidity</b>	90% at 50 °C (EN 61131-2)
<b>Safety controller included</b>	Flexi Soft
Safety controller type	Programmable
<b>Voltage supply</b>	
Supply voltage $V_S$	24 V DC (16.8 V DC ... 30 V DC)
<b>Performance level</b>	PL d (ISO 13849-1)
<b>Items supplied</b>	microScan3 Core – EFI-pro safety laser scanner Flexi Soft main module FX3-CPU0 FX3-MPL0 Flexi Soft system plug FX3-XTIO Flexi Soft I/O module Flexi-Soft-Gateway EFI-Pro FX3-GEPRO Documentation (operating instructions)

### Classifications

<b>ECLASS 5.0</b>	27279090
<b>ECLASS 5.1.4</b>	27279090
<b>ECLASS 6.0</b>	27279090
<b>ECLASS 6.2</b>	27279090
<b>ECLASS 7.0</b>	27279090
<b>ECLASS 8.0</b>	27279090
<b>ECLASS 8.1</b>	27279090
<b>ECLASS 9.0</b>	27279090
<b>ECLASS 10.0</b>	27279090
<b>ECLASS 11.0</b>	27279090
<b>ECLASS 12.0</b>	27279090
<b>ETIM 5.0</b>	EC001449
<b>ETIM 6.0</b>	EC001449
<b>ETIM 7.0</b>	EC001449
<b>ETIM 8.0</b>	EC001449
<b>UNSPSC 16.0901</b>	32151705

### Dimensional drawing (Dimensions in mm (inch))



- ① Mirror axis of rotation
- ② Scan plane
- ③ Required viewing slit (a: length of the viewing slit, b: minimum height above the scan plane, c: minimum height below the scan plane. See the operating instructions for details.)

## SICK AT A GLANCE

SICK is one of the leading manufacturers of intelligent sensors and sensor solutions for industrial applications. A unique range of products and services creates the perfect basis for controlling processes securely and efficiently, protecting individuals from accidents and preventing damage to the environment.

We have extensive experience in a wide range of industries and understand their processes and requirements. With intelligent sensors, we can deliver exactly what our customers need. In application centers in Europe, Asia and North America, system solutions are tested and optimized in accordance with customer specifications. All this makes us a reliable supplier and development partner.

Comprehensive services complete our offering: SICK LifeTime Services provide support throughout the machine life cycle and ensure safety and productivity.

For us, that is “Sensor Intelligence.”

## WORLDWIDE PRESENCE:

Contacts and other locations –[www.sick.com](http://www.sick.com)